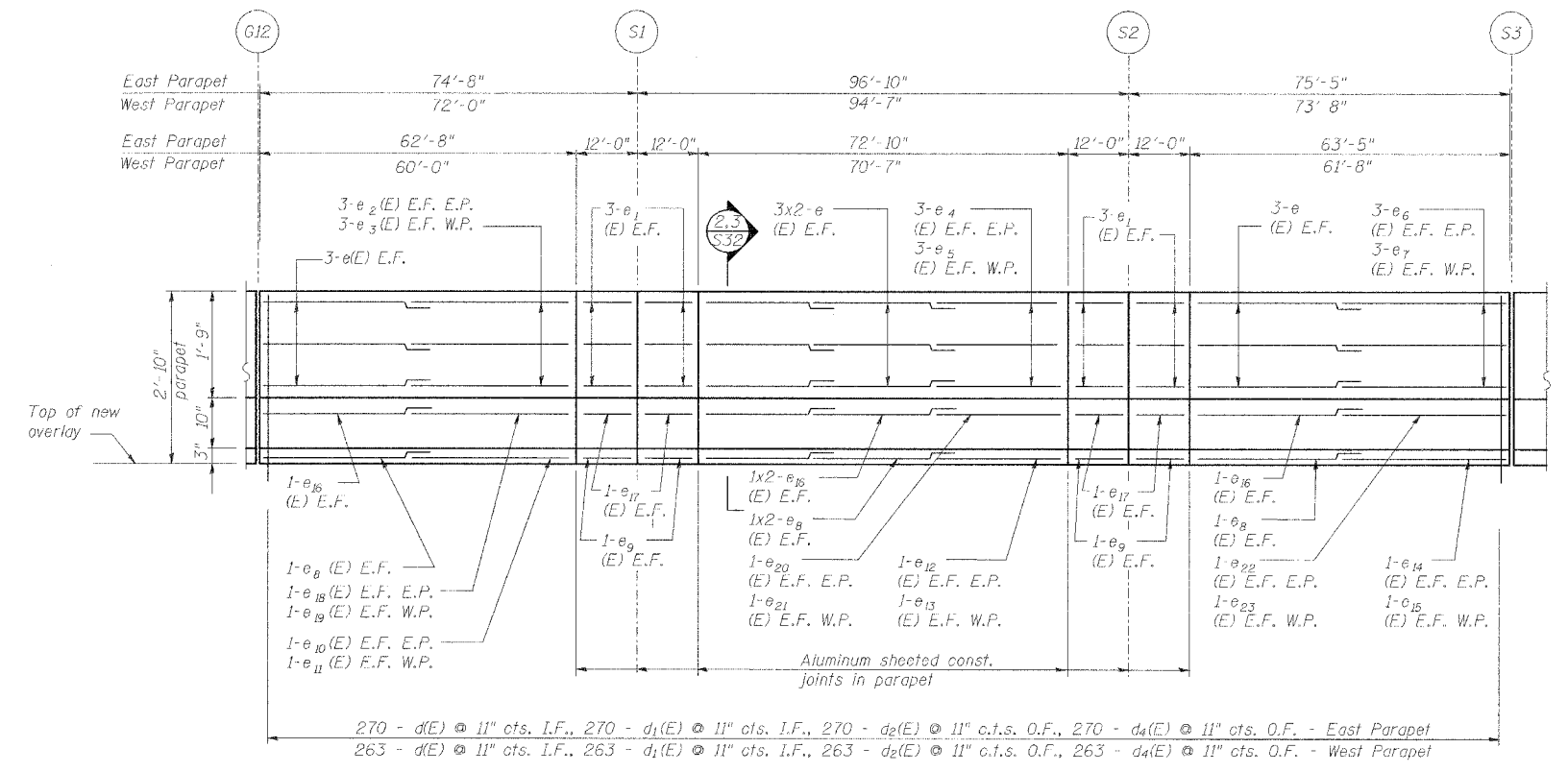


ROUTE NO.	SECTION	COUNTY	TOTAL SHEETS	SHEET NO.
F.A.I. 70	*	ST. CLAIR	111	82
FED. ROAD DIST. NO. 7		ILLINOIS	FED. AID PROJECT - IM-78	

* 82-3HVB-3R-3 SHEET S-15 OF S-44
CONTRACT NO. 76305

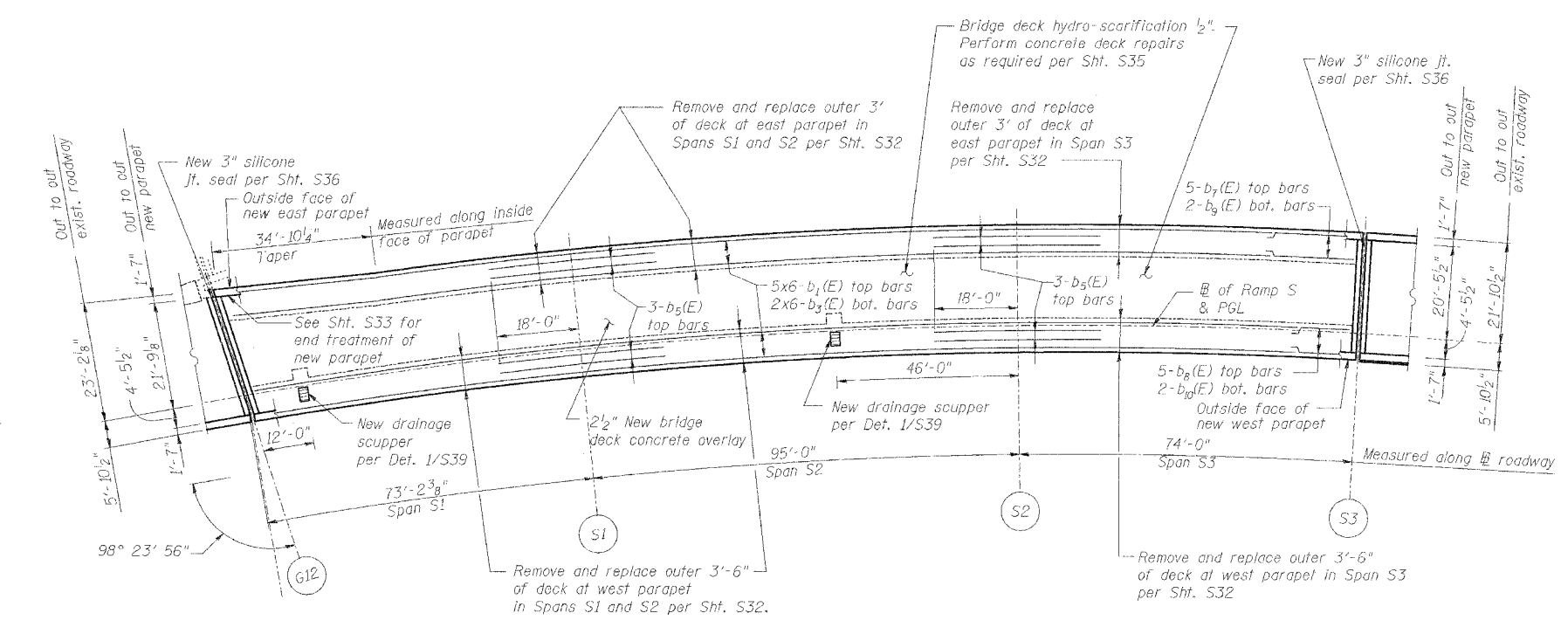
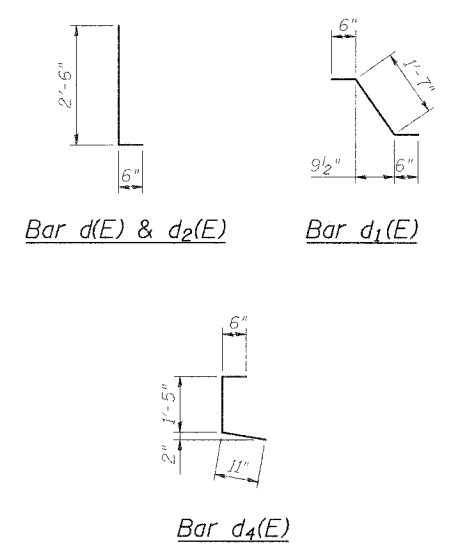
SUPERSTRUCTURE BILL OF MATERIAL

Bar	No.	Size	Length	Shape
a ₃₅₀ (E)	8	#5	2'-0"	---
a ₃₅₅ (E)	78	#5	3'-0"	---
b ₁ (E)	60	#5	40'-0"	---
b ₂ (E)	20	#5	40'-0"	---
b ₃ (E)	12	#6	36'-0"	---
b ₄ (E)	5	#5	19'-8"	---
b ₅ (E)	5	#5	13'-0"	---
b ₆ (E)	2	#5	19'-8"	---
b ₇ (E)	2	#5	13'-0"	---
d(E)	533	#5	3'-0"	---
d ₁ (E)	533	#5	2'-7"	---
d ₂ (E)	533	#4	3'-0"	---
d ₄ (E)	533	#4	2'-10"	---
e(E)	48	#4	35'-0"	---
e ₁ (E)	48	#4	11'-9"	---
e ₂ (E)	6	#4	29'-1"	---
e ₃ (E)	6	#4	26'-5"	---
e ₄ (E)	6	#4	6'-0"	---
e ₅ (E)	6	#4	3'-8"	---
e ₆ (E)	6	#4	29'-10"	---
e ₇ (E)	6	#4	28'-0"	---
e ₈ (E)	16	#5	35'-0"	---
e ₉ (E)	16	#5	11'-9"	---
e ₁₀ (E)	2	#5	29'-7"	---
e ₁₁ (E)	2	#5	26'-10"	---
e ₁₂ (E)	2	#5	7'-0"	---
e ₁₃ (E)	2	#5	4'-7"	---
e ₁₄ (E)	2	#5	30'-4"	---
e ₁₅ (E)	2	#5	28'-6"	---
e ₁₆ (E)	16	#8	35'-0"	---
e ₁₇ (E)	16	#8	11'-9"	---
e ₁₈ (E)	2	#8	32'-0"	---
e ₁₉ (E)	2	#8	29'-3"	---
e ₂₀ (E)	2	#8	11'-8"	---
e ₂₁ (E)	2	#8	9'-3"	---
e ₂₂ (E)	2	#8	32'-8"	---
e ₂₃ (E)	2	#8	30'-10"	---
Reinforcement Bars, Epoxy Coated	Pound	15,400		
Concrete Removal	Cu. Yd.	124.1		
Concrete Superstructure	Cu. Yd.	113.7		
Bituminous Concrete Removal - (Deck)	Sq. Yd.	653		
Bridge Deck Hydro-Scarification - 1/2"	Sq. Yd.	653		
Bridge Deck Microsilica Concrete Overlay - 2 1/2"	Sq. Yd.	697		
Drainage Scuppers - DS12	Ea.	2		
Protective Coat	Sq. Yd.	1,095		
Bridge Deck Grooving	Sq. Yd.	697		
Protective Shield	Sq. Yd.	690		
Mechanical Splice	Ea.	70		



Min Bar Laps

#4	1'-8"
#5	2'-2"
#6	2'-7"
#8	4'-6"



DECK & PARAPET REPAIRS - SPANS S1 - S3

REVISIONS

NAME	DATE

STATE OF ILLINOIS
DEPARTMENT OF TRANSPORTATION
REHABILITATION AND RETROFIT REPAIRS
FAI ROUTE 70
POPLAR STREET BRIDGE APPROACHES
ST. CLAIR COUNTY

STRUCTURE NO. 082-0142 (RAMP S)
SCALE:
DATE: 02/28/2006

DATE: 4/10/2006 FILENAME: P:\2001\1201-1800\2001.1240\drafting\roadway\rehab.dwg\parapet-deck1_e_dp0108.dwg

DESIGNED	JPD
CHECKED	JEL
DRAWN	CLK
CHECKED	JPD