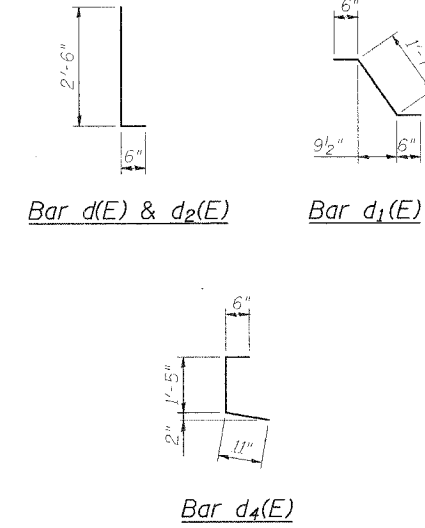


INSIDE ELEVATION OF EAST PARAPET

West Parapet similar except as noted
All dimensions measured along bottom of inside face of parapet
E.F. indicates each face
I.F. indicates inside face
O.F. indicates outside face

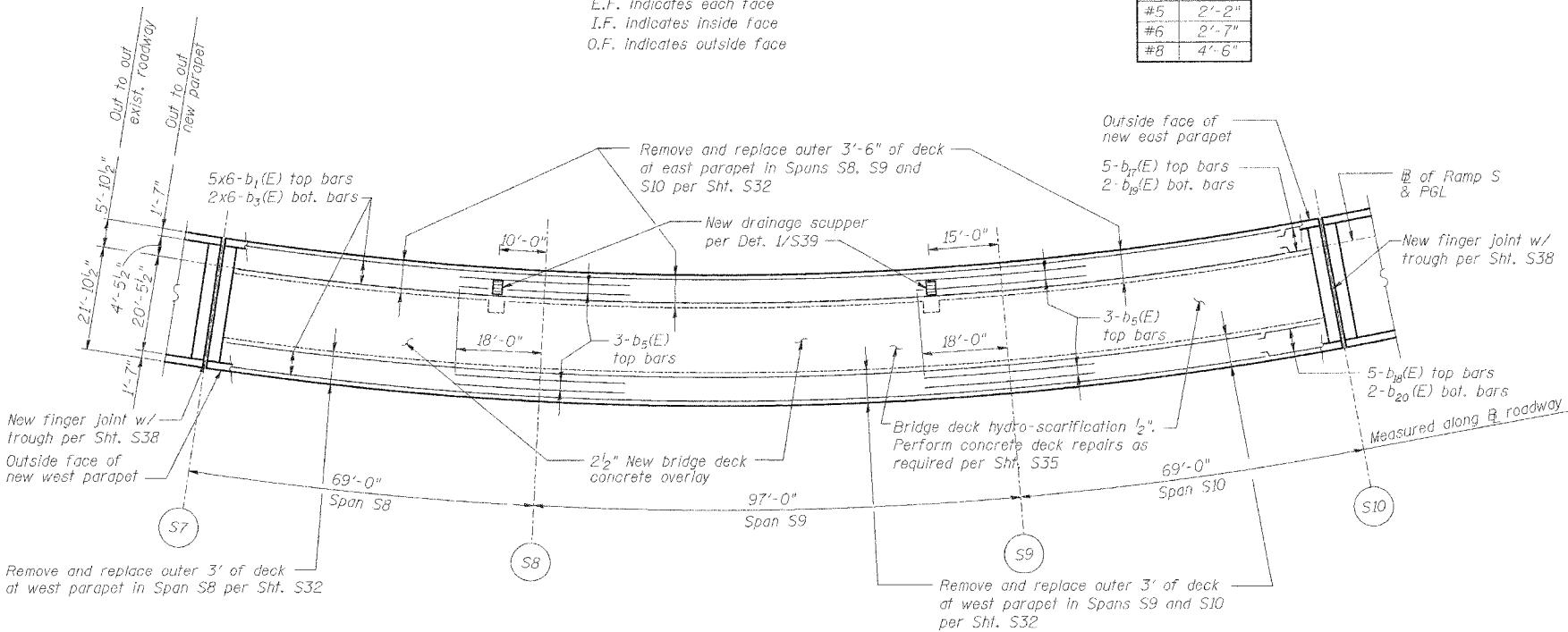
Min Bar Laps	
#4	1'-8"
#5	2'-2"
#6	2'-7"
#8	4'-6"



SUPERSTRUCTURE BILL OF MATERIAL

Bar	No.	Size	Length	Shape
a350(E)	8	#5	2'-0"	
a361(E)	80	#5	3'-0"	
b1(E)	60	#5	40'-0"	
b3(E)	24	#5	40'-0"	
b6(E)	12	#6	36'-0"	
b7(E)	5	#5	6'-4"	
b8(E)	5	#5	14'-7"	
b9(E)	2	#5	6'-4"	
b20(E)	2	#5	14'-7"	
d(E)	519	#5	3'-0"	
d1(E)	519	#5	2'-7"	
d2(E)	519	#4	3'-0"	
d4(E)	519	#4	2'-10"	
e60(E)	48	#4	35'-0"	
e61(E)	48	#4	11'-9"	
e62(E)	12	#4	25'-5"	
e63(E)	12	#4	23'-0"	
e64(E)	6	#4	9'-0"	
e65(E)	6	#4	5'-6"	
e66(E)	16	#5	35'-0"	
e67(E)	16	#5	11'-9"	
e68(E)	4	#5	25'-11"	
e69(E)	4	#5	23'-6"	
e70(E)	2	#5	10'-0"	
e71(E)	2	#5	6'-6"	
e72(E)	16	#8	35'-0"	
e73(E)	16	#8	11'-9"	
e74(E)	4	#8	28'-3"	
e75(E)	4	#8	25'-10"	
e76(E)	2	#8	14'-9"	
e77(E)	2	#8	11'-2"	
Reinforcement Bars, Epoxy Coated			Pound	15,200
Concrete Removal			Cu. Yd.	121.7
Concrete Superstructure			Cu. Yd.	110.6
Bituminous Concrete Removal - (Deck)			Sq. Yd.	581
Bridge Deck Hydro-Scarification - 1/2"			Sq. Yd.	581
Bridge Deck Microsilica Concrete Overlay - 2 1/2"			Sq. Yd.	658
Drainage Scuppers - DS12			Ea.	2
Protective Coat			Sq. Yd.	1,046
Bridge Deck Grooving			Sq. Yd.	658
Mechanical Splice			Ea.	72

Reinforcement bars designated (E) shall be epoxy coated.



DECK PLAN OF SPANS S8 - S10

DECK & PARAPET REPAIRS - SPANS S8 - S10

REVISIONS		STATE OF ILLINOIS DEPARTMENT OF TRANSPORTATION REHABILITATION AND RETROFIT REPAIRS FAI ROUTE 70 POPLAR STREET BRIDGE APPROACHES ST. CLAIR COUNTY	
NAME	DATE		
			STRUCTURE NO. 082-0142 (RAMP S) SCALE: DATE: 02/28/2006

DATE: 4/19/2006 FILENAME: P:\2001\1201-1300\20011240\drafting\roadwayrehab_d8\parapet\parapet-deck_s_dp0810.dgn

DESIGNED	JPD
CHECKED	JEL
DRAWN	CLK
CHECKED	JPD/JEL