

ROUTE NO.	SECTION	COUNTY	TOTAL SHEETS	SHEET NO.
F.A.I. 70	*	ST. CLAIR	111	88
FED. ROAD DIST. NO. 7	ILLINOIS	FED. AID PROJECT- 1M-70		

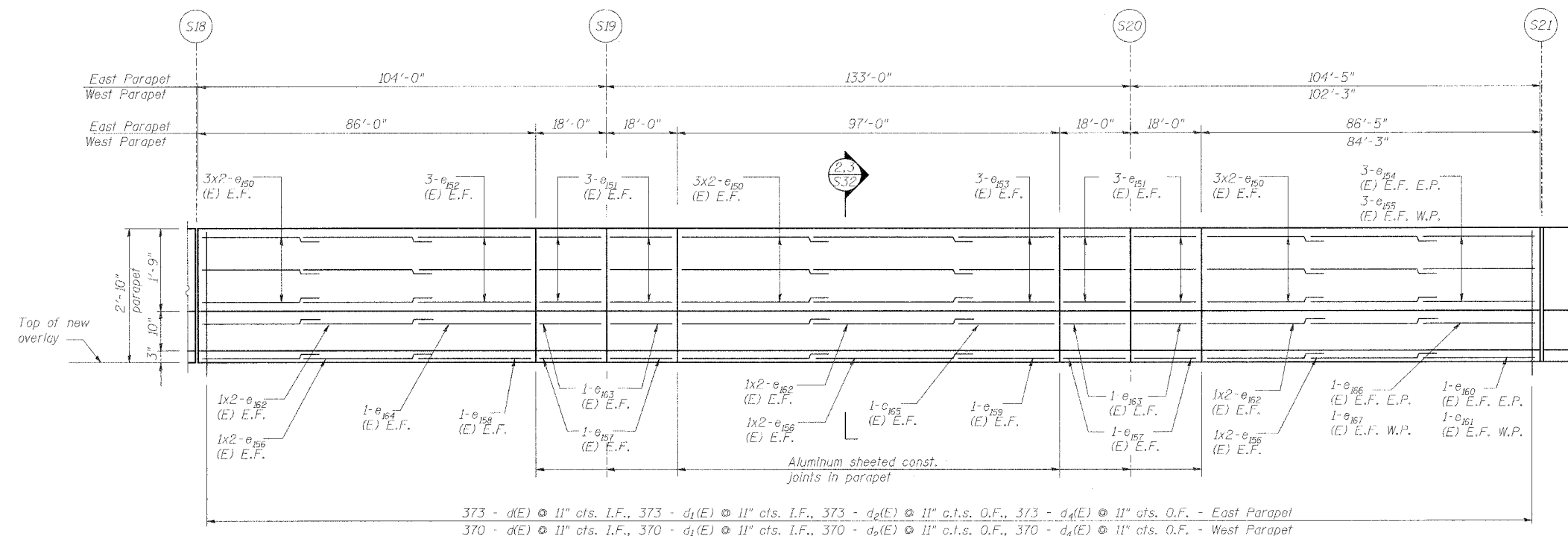
* 82-3HVB-3R-3 SHEET S-21 OF S-44
 CONTRACT NO. 76305

SUPERSTRUCTURE BILL OF MATERIAL

Bar	No.	Size	Length	Shape
a ₁₅₀ (E)	20	#5	2'-0"	
a ₁₅₁ (E)	66	#5	3'-0"	
b ₁ (E)	80	#5	110'-0"	
b ₂ (E)	32	#5	40'-0"	
b ₃ (E)	12	#6	40'-0"	
b ₃₃ (E)	12	#6	14'-7"	
b ₃₄ (E)	5	#5	38'-6"	
b ₃₅ (E)	5	#5	36'-4"	
b ₃₆ (E)	2	#5	38'-6"	
b ₃₇ (E)	2	#5	36'-4"	
d(E)	743	#5	3'-0"	
d ₁ (E)	743	#5	2'-7"	
d ₂ (E)	743	#4	3'-0"	
d ₄ (E)	743	#4	2'-10"	
e ₁₅₀ (E)	72	#4	35'-0"	
e ₁₅₁ (E)	48	#4	17'-9"	
e ₁₅₂ (E)	12	#4	19'-0"	
e ₁₅₃ (E)	12	#4	30'-0"	
e ₁₅₄ (E)	6	#4	19'-6"	
e ₁₅₅ (E)	6	#4	17'-4"	
e ₁₅₆ (E)	24	#5	35'-0"	
e ₁₅₇ (E)	16	#5	17'-9"	
e ₁₅₈ (E)	4	#5	20'-0"	
e ₁₅₉ (E)	4	#5	31'-1"	
e ₁₆₀ (E)	2	#5	20'-6"	
e ₁₆₁ (E)	2	#5	18'-4"	
e ₁₆₂ (E)	24	#8	35'-0"	
e ₁₆₃ (E)	16	#8	17'-9"	
e ₁₆₄ (E)	4	#8	24'-9"	
e ₁₆₅ (E)	4	#8	35'-9"	
e ₁₆₆ (E)	2	#8	25'-2"	
e ₁₆₇ (E)	2	#8	23'-0"	

Reinforcement Bars, Epoxy Coated	Pound	21,780
Concrete Removal	Cu. Yd.	157.6
Concrete Superstructure	Cu. Yd.	142.4
Bituminous Concrete Removal - (Deck)	Sq. Yd.	796
Bridge Deck Hydro-Scarification - 1/2"	Sq. Yd.	796
Bridge Deck Microsilica Concrete Overlay - 2 1/2"	Sq. Yd.	902
Drainage Scuppers - DS12	Ea.	5
Protective Coat	Sq. Yd.	1,434
Bridge Deck Grooving	Sq. Yd.	902
Protective Shield	Sq. Yd.	250
Mechanical Splice	Ea.	46

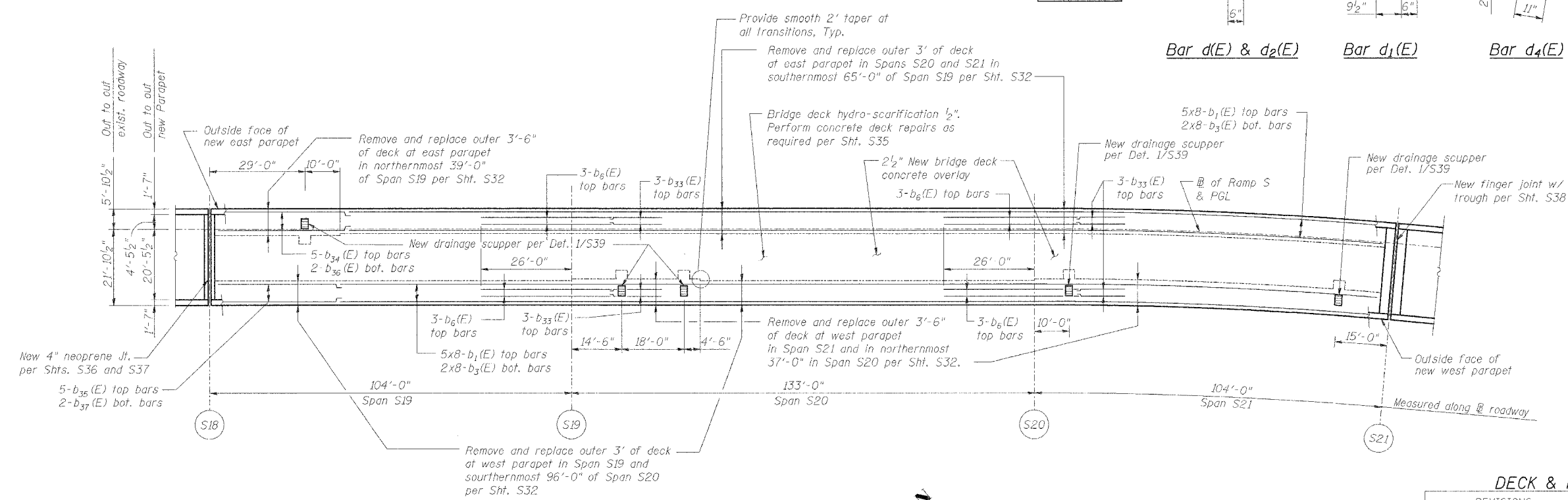
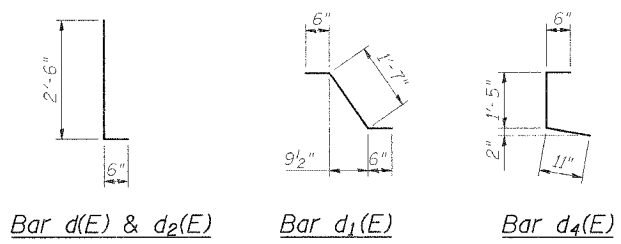
Reinforcement bars designated (E) shall be epoxy coated.



INSIDE ELEVATION OF EAST PARAPET

West Parapet similar except as noted
 All dimensions measured along bottom of inside face of parapet
 E.F. indicates each face
 I.F. indicates inside face
 O.F. indicates outside face

Min Bar Laps	
#4	1'-8"
#5	2'-2"
#6	2'-7"
#8	4'-6"



DECK PLAN OF SPANS S19 - S21

DECK & PARAPET REPAIRS - SPANS S19 - S21

REVISIONS	
NAME	DATE

STATE OF ILLINOIS
 DEPARTMENT OF TRANSPORTATION
 REHABILITATION AND RETROFIT REPAIRS
 FAI ROUTE 70
 POPLAR STREET BRIDGE APPROACHES
 ST. CLAIR COUNTY
 STRUCTURE NO. 082-0142 (RAMP S)
 SCALE:
 DATE: 02/28/2006

DATE: 4/19/2006
 FILENAME: P:\2001\1201-1300\2001.1240\drafting\roadwayrehab_dsa\ ramps\parapet-deck_e_dp1921.dgn

DESIGNED	JPD
CHECKED	JEL
DRAWN	CLK
CHECKED	JPD/JEL