

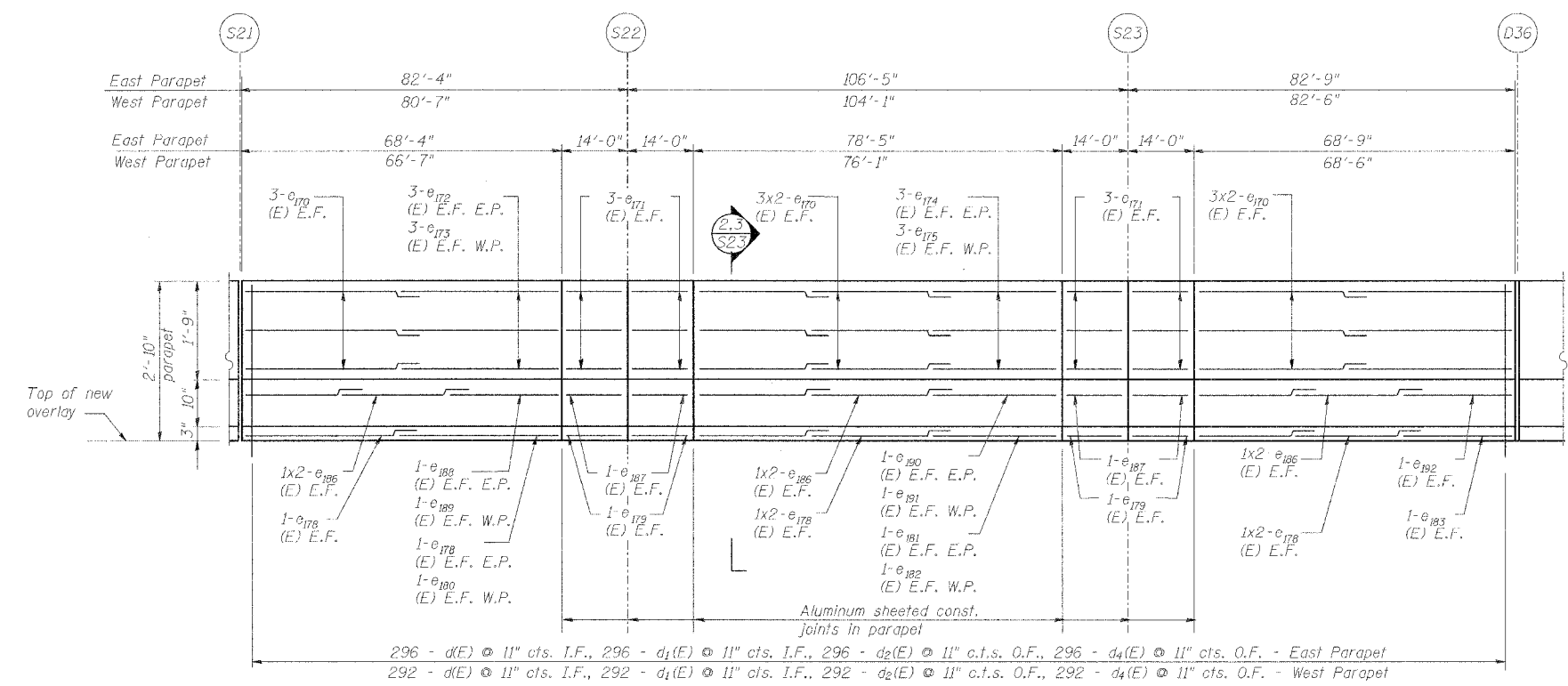
ROUTE NO.	SECTION	COUNTY	TOTAL SHEETS	SHEET NO.
F.A.I. 70	*	ST. CLAIR	111	89
FED. ROAD DIST. NO. 7	ILLINOIS	FED. AID PROJECT - 14-78		

* 82-3HVB-3R-3 SHEET S-22 OF S-44
CONTRACT NO. 76305

SUPERSTRUCTURE BILL OF MATERIAL

Bar	No.	Size	Length	Shape
a ₃₅₀ (E)	16	#5	2'-0"	---
a ₃₅₁ (E)	72	#5	3'-0"	---
b ₁ (E)	70	#5	40'-0"	---
b ₃ (E)	28	#5	40'-0"	---
b ₆ (E)	12	#6	40'-0"	---
b ₃₈ (E)	5	#5	6'-2"	---
b ₃₉ (E)	5	#5	1'-10"	---
b ₄₀ (E)	2	#5	6'-2"	---
b ₄₁ (E)	2	#5	1'-10"	---
d(E)	588	#5	3'-0"	---
d ₁ (E)	588	#5	2'-7"	---
d ₂ (E)	588	#4	3'-0"	---
d ₄ (E)	588	#4	2'-10"	---
e ₁₇₀ (E)	60	#4	35'-0"	---
e ₁₇₁ (E)	48	#4	13'-9"	---
e ₁₇₂ (E)	6	#4	34'-9"	---
e ₁₇₃ (E)	6	#4	33'-0"	---
e ₁₇₄ (E)	6	#4	11'-7"	---
e ₁₇₅ (E)	6	#4	9'-2"	---
e ₁₇₈ (E)	22	#5	35'-0"	---
e ₁₇₉ (E)	16	#5	13'-9"	---
e ₁₈₀ (E)	2	#5	33'-6"	---
e ₁₈₁ (E)	2	#5	12'-7"	---
e ₁₈₂ (E)	2	#5	10'-1"	---
e ₁₈₃ (E)	4	#5	2'-8"	---
e ₁₈₆ (E)	24	#8	35'-0"	---
e ₁₈₇ (E)	16	#8	13'-9"	---
e ₁₈₈ (E)	2	#8	7'-1"	---
e ₁₈₉ (E)	2	#8	5'-4"	---
e ₁₉₀ (E)	2	#8	17'-3"	---
e ₁₉₁ (E)	2	#8	14'-9"	---
e ₁₉₂ (E)	4	#8	7'-4"	---
Reinforcement Bars, Epoxy Coated		Pound	17,280	
Concrete Removal		Cu. Yd.	134.2	
Concrete Superstructure		Cu. Yd.	121.7	
Bituminous Concrete Removal - (Deck)		Sq. Yd.	658	
Bridge Deck Hydro-Scarification - 1/2"		Sq. Yd.	658	
Bridge Deck Microsilica Concrete Overlay - 2 1/2"		Sq. Yd.	746	
Drainage Scuppers - DS12		Ea.	4	
Protective Coat		Sq. Yd.	1,185	
Bridge Deck Grooving		Sq. Yd.	746	
Mechanical Splice		Ea.	56	

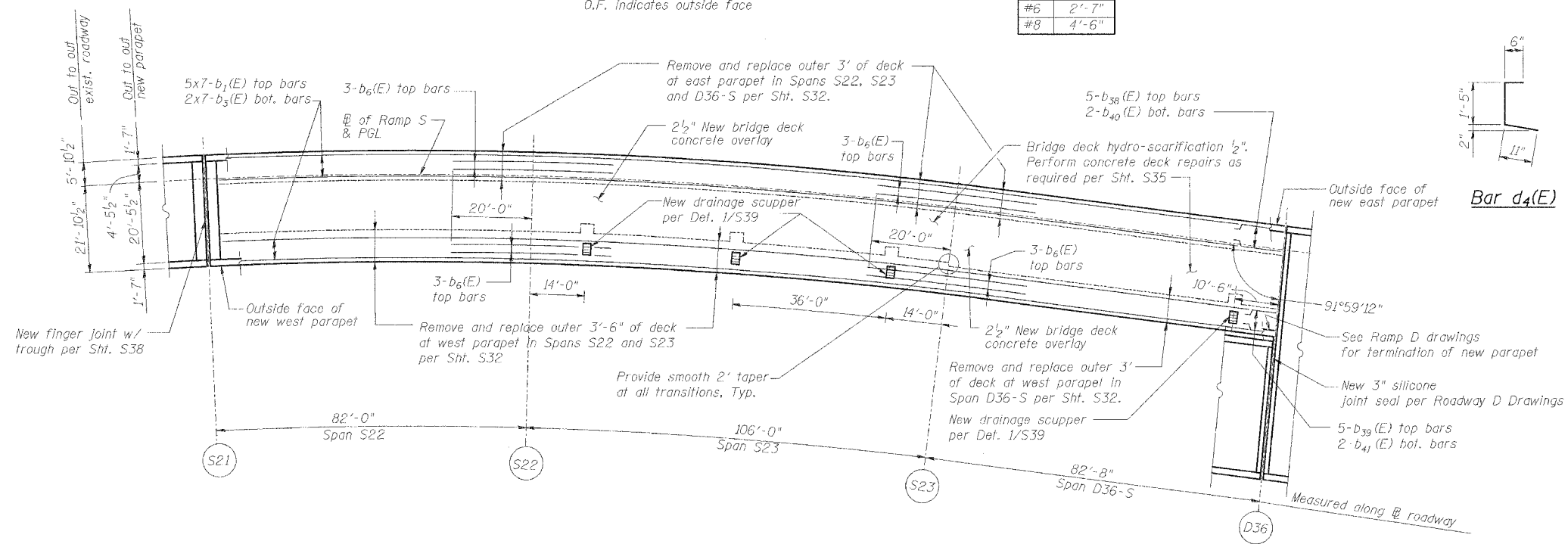
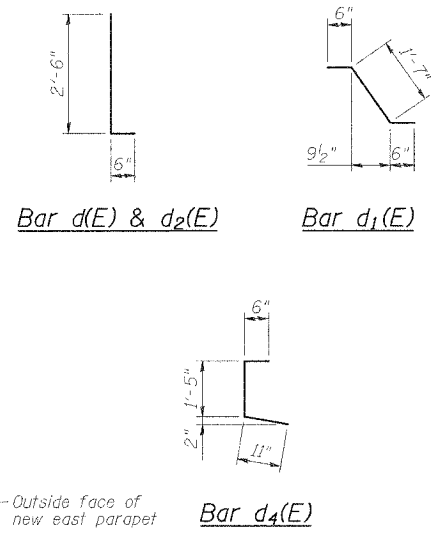
Reinforcement bars designated (E) shall be epoxy coated.



INSIDE ELEVATION OF EAST PARAPET

West parapet similar except as noted
All dimensions measured along bottom of inside face of parapet
E.F. indicates each face
I.F. indicates inside face
O.F. indicates outside face

#4	1'-8"
#5	2'-2"
#6	2'-7"
#8	4'-6"



DECK PLAN OF SPANS S22 - D36-S

DECK & PARAPET REPAIRS - SPANS S22 - D36-S

REVISIONS		STATE OF ILLINOIS DEPARTMENT OF TRANSPORTATION REHABILITATION AND RETROFIT REPAIRS FAI ROUTE 70 POPLAR STREET BRIDGE APPROACHES ST. CLAIR COUNTY
NAME	DATE	
		STRUCTURE NO. 082-0142 (RAMP S) SCALE: DATE: 02/28/2006

DATE: 4/9/2006 FILENAME: P:\2001\1201-1300\2001.1240\drafting\roadwayrehab\ds\parapet-deck.s_dp2223.dgn

DESIGNED	JPD
CHECKED	JEL
DRAWN	CLK
CHECKED	JPD/JEL