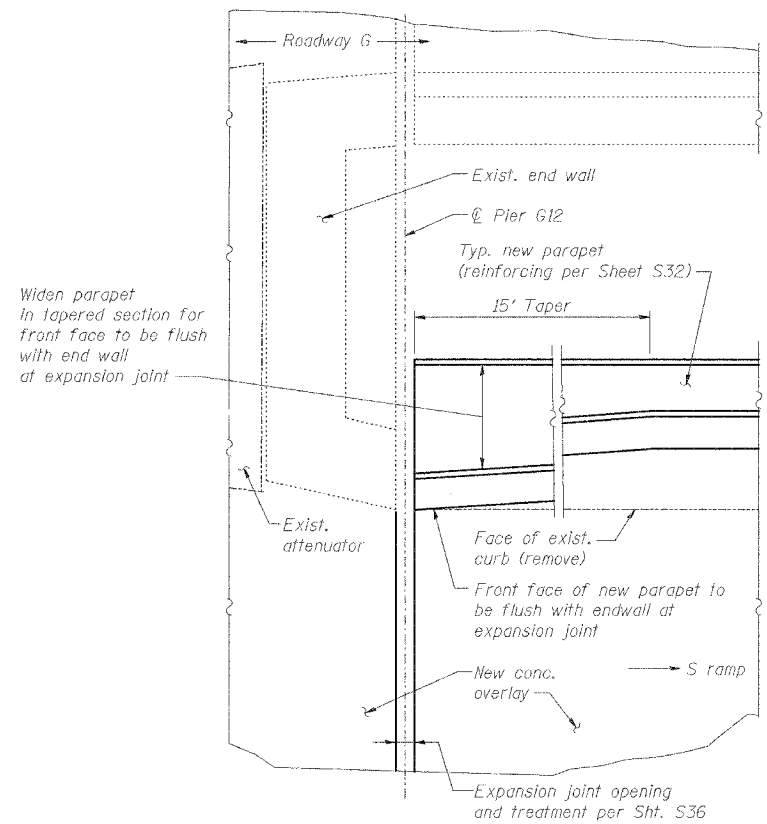
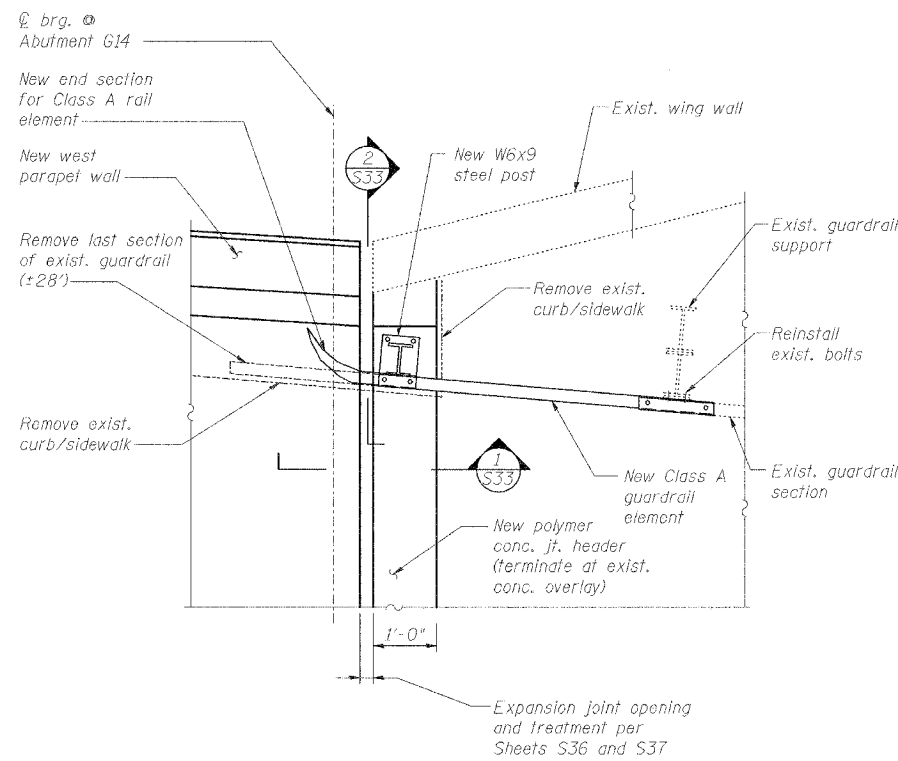


ROUTE NO.	SECTION	COUNTY	TOTAL SHEETS	SHEET NO.
F.A.I. 70	*	ST. CLAIR	111	100
FED. ROAD DIST. NO. 7	ILLINOIS	FED. AID PROJECT - 14-70		

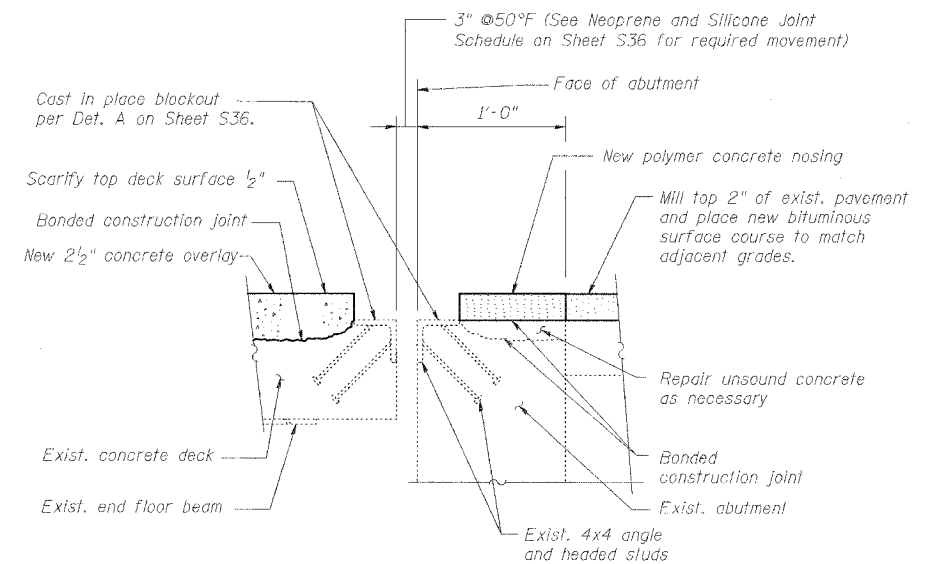
* 82-3HVB-3R-3 SHEET S-33 OF S-44
CONTRACT NO. 76305



PLAN - EAST PARAPET END TREATMENT @ PIER G12 (S RAMP)

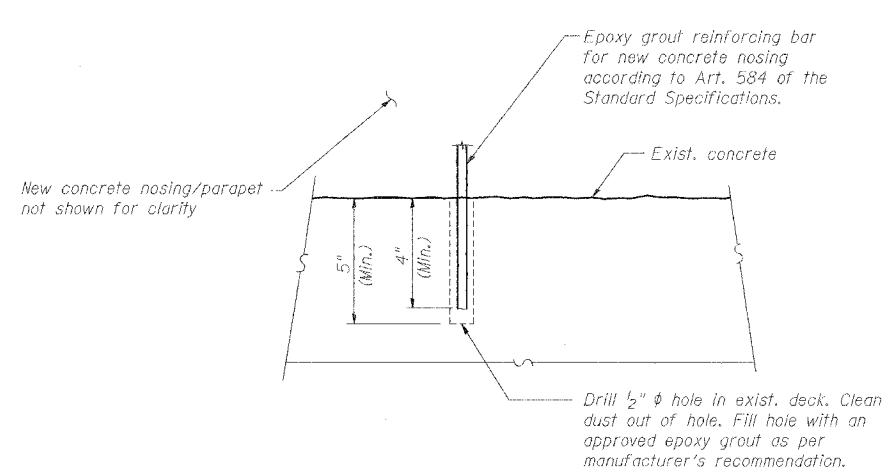


PLAN - WEST PARAPET END TREATMENT @ ABUTMENT G14 (S RAMP)

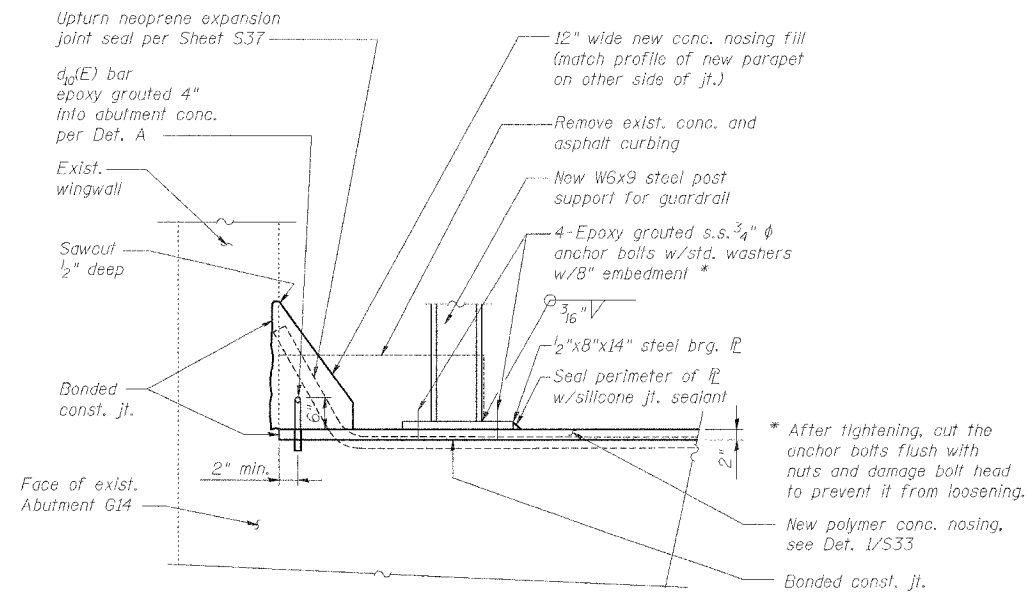


SECTION - DECK REPAIR @ G14 EXPANSION JOINT

Notes: For joint seal installation, see Detail A on Sheet S36
Remove entire existing expansion joint seal system, including anchor bolts. Existing angles and headed studs to remain.



DETAIL A - EPOXY GROUTING OF REINFORCING BARS



SECTION 2

Note: See Sheet S14 for Bill of Material

SPECIAL PARAPET TERMINATION DETAILS

REVISIONS		STATE OF ILLINOIS DEPARTMENT OF TRANSPORTATION REHABILITATION AND RETROFIT REPAIRS FAI ROUTE 70 POPLAR STREET BRIDGE APPROACHES ST. CLAIR COUNTY
NAME	DATE	
		STRUCTURE NO. 082-0142 (RAMP S1) SCALE: DATE: 02/28/2006

DATE: 4/9/2006 FILENAME: P:\2001\1901-1300\2001.12.40\drawing\roadway\rehab_dsl\ ramps\para\ e-parapet.dgn

DESIGNED	JPD
CHECKED	CSD
DRAWN	CLK
CHECKED	JPD