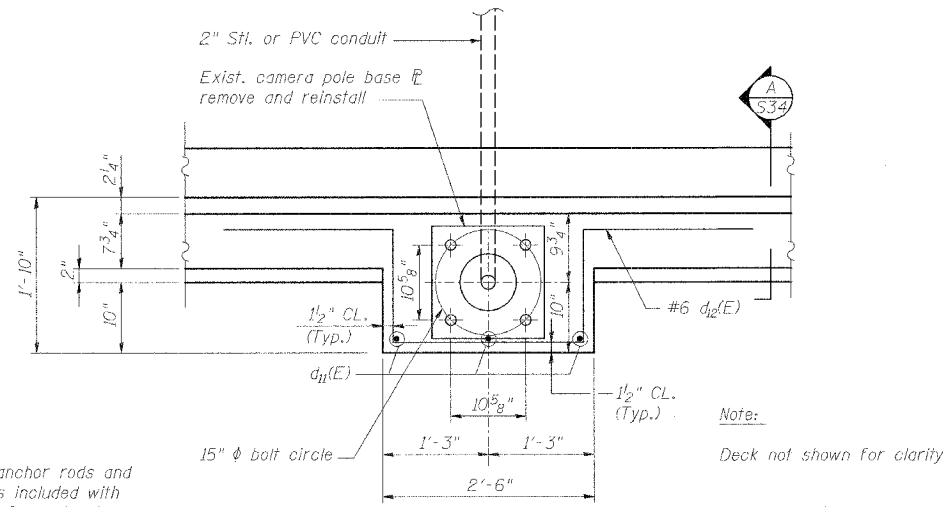
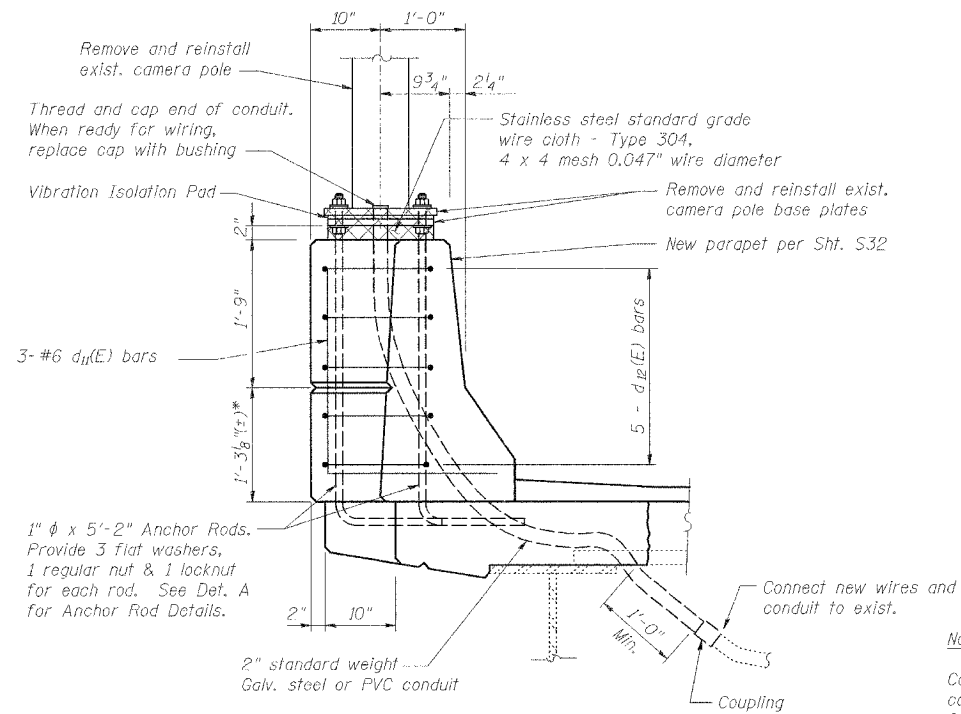


ROUTE NO.	SECTION	COUNTY	TOTAL SHEETS	SHEET NO.
F.A.I. 70	*	ST. CLAIR	111	101
FED. ROAD DIST. NO. 7	ILLINOIS	FED. AID PROJECT- IM-70		

* 82-3HVB-3R-3 SHEET S-34 OF S-44
CONTRACT NO. 76305



SECTION A-A

PLAN

* - 1 1/2" plus depth of overlay

Notes:

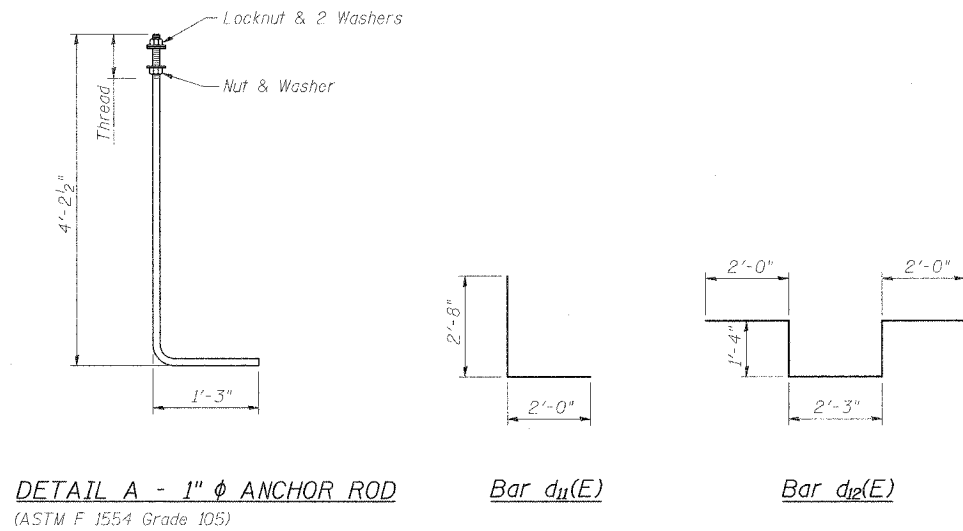
Cost of anchor rods and conduit is included with Concrete Superstructure.

Verify location of exist. anchor rods and adjust location of new anchor rods to match exist. camera pole base plate.

Note:

Deck not shown for clarity

1 TYPICAL PEDESTAL FOR TRAFFIC CAMERA POLE
S34



DETAIL A - 1" ϕ ANCHOR ROD
(ASTM F 1554 Grade 105)

2 TYPICAL LIGHT PEDESTAL REINFORCEMENT
S34

SPECIAL PARAPET DETAILS

STATE OF ILLINOIS
DEPARTMENT OF TRANSPORTATION
REHABILITATION AND RETROFIT REPAIRS
FAI ROUTE 70
POPLAR STREET BRIDGE APPROACHES
ST. CLAIR COUNTY

STRUCTURE NO. 082-0142 (RAMP S)
SCALE:
DATE: 02/28/2006

REVISIONS	
NAME	DATE

Note:

See Sht. S19 for Bill of Material

DATE: 4/19/2006
FILENAME: P:\2001\1201-1300\2001.12.00\drafting\roadwayrehab_ds\ ramps\para\s_para05.dgn

DESIGNED	JPD
CHECKED	CSD
DRAWN	CLK
CHECKED	JPD