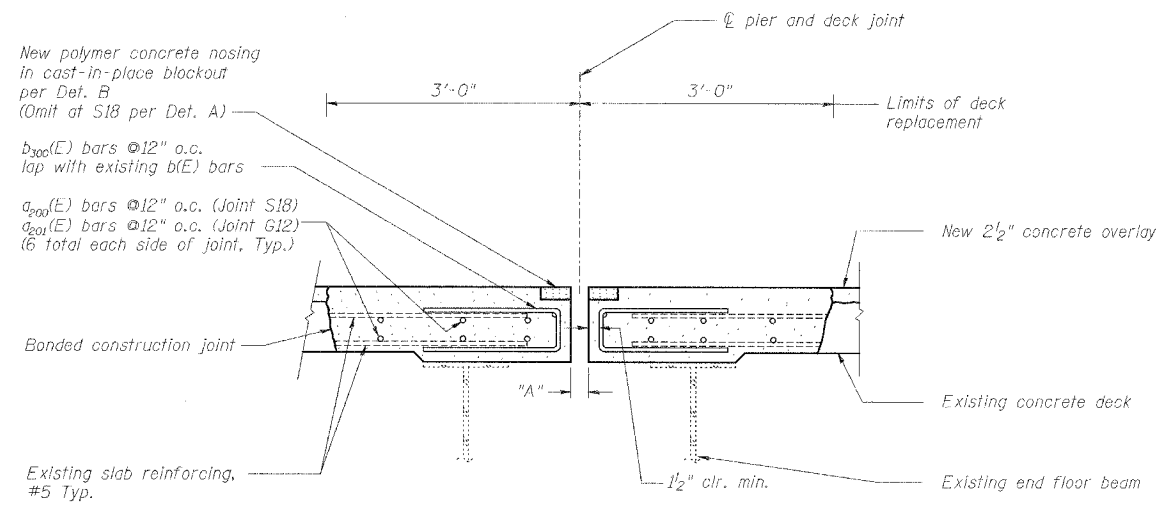


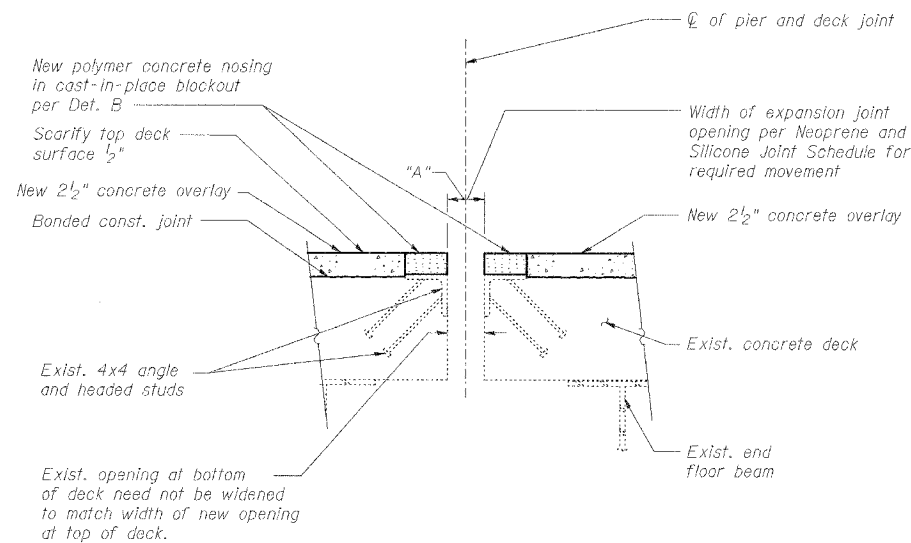
|                       |          |                          |              |           |
|-----------------------|----------|--------------------------|--------------|-----------|
| ROUTE NO.             | SECTION  | COUNTY                   | TOTAL SHEETS | SHEET NO. |
| F.A.I. 70             | *        | ST. CLAIR                | 111          | 103       |
| FED. ROAD DIST. NO. 7 | ILLINOIS | FED. AID PROJECT - 14-78 |              |           |

\* 82-3HVB-3R-3 SHEET S-36 OF S-44  
CONTRACT NO. 76305



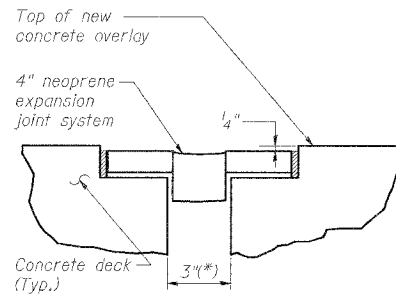
**1 DECK REPAIR @ G12 AND S18 EXPANSION JOINTS**

**S36** Notes: For joint seal installation, see Detail A for S18 and Detail B for G12  
Remove entire exist. expansion joint seal system, including anchor bolts.



**2 DECK REPAIR @ S3 EXPANSION JOINT**

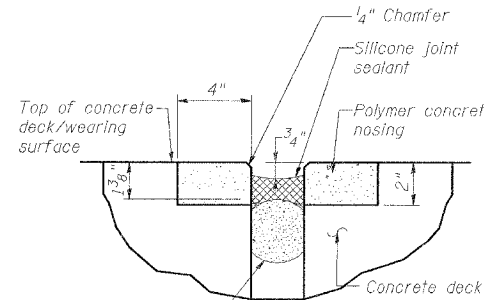
**S36** Notes: For Joint Seal Installation, see Detail B.  
Remove entire exist. expansion joint seal system, including anchor bolts. Existing angles, headed studs, and surrounding concrete to remain.



\* at 50°F. See Neoprene and Silicone Joint Schedule for required movement

**DETAIL A - NEOPRENE EXPANSION JOINT**

Notes:  
1. See Sht. S37 for additional installation dimensions and details.  
2. At G14, gland for the expansion jt. system must be adhered to end of exist. gland at Roadway G in accordance with manufacturer's recommendations. Alternatively exist. gland in Ramp S portion of jt. may be reused if intact and undamaged.



Backer rod having a diameter 25% greater than joint opening at time of installation  
"A" = 3" @ 50°F. See Neoprene and Silicone Joint Schedule for movement requirements

**DETAIL B - SILICONE JOINT SEAL**

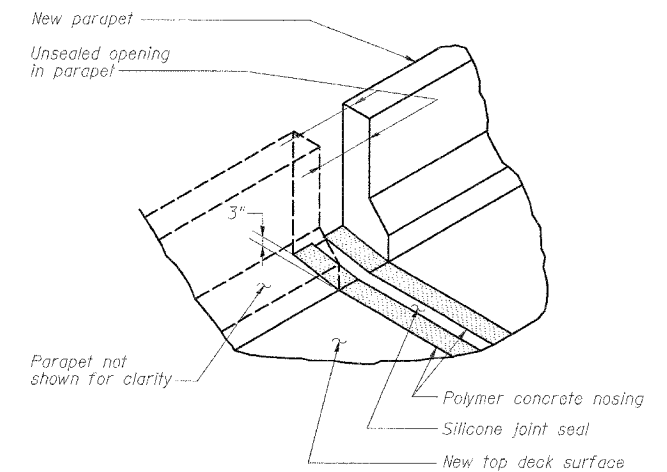
**BILL OF MATERIAL**

| Bar                            | No. | Size | Length  | Shape |
|--------------------------------|-----|------|---------|-------|
| a200(E)                        | 12  | #5   | 27'-3"  | —     |
| a201(E)                        | 12  | #5   | 24'-4"  | —     |
| b300(E)                        | 116 | #5   | 4'-5"   | □     |
| Silicone Joint Sealer - 3"     |     |      | Ft.     | 56    |
| Neoprene Expansion Joint - 4"  |     |      | Ft.     | 51    |
| Reinforcing Bars, Epoxy Coated |     |      | Pounds  | 1,180 |
| Polymer Concrete               |     |      | Cu. Ft. | 9.3   |
| Concrete Removal               |     |      | Cu. Yd. | 7.8   |
| Concrete Superstructure        |     |      | Cu. Yd. | 7.8   |

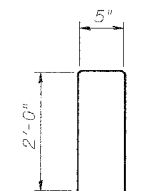
**NEOPRENE AND SILICONE JOINT SCHEDULE - RAMP S/ROADWAY G**

| Location                | Type of Joint Seal | Joint Opening - "A" (Inches) |        |      |        |        |
|-------------------------|--------------------|------------------------------|--------|------|--------|--------|
|                         |                    | -30°F                        | 10°F   | 50°F | 90°F   | 130°F  |
| G14 (North end of ramp) | 4" Neoprene        | 5"                           | 4"     | 3"   | 2"     | 1"     |
| G12                     | 3" Silicone        | 4"                           | 3 1/2" | 3"   | 2 1/2" | 2"     |
| S3                      | 3" Silicone        | 4 1/4"                       | 3 5/8" | 3"   | 2 3/8" | 1 3/4" |
| S18                     | 4" Neoprene        | 5"                           | 4"     | 3"   | 2"     | 1"     |

Note: For deck temperatures between those shown, width of joint opening can be interpolated.



**3 SILICONE JOINT SEAL @ PARAPET**



Bar b300(E)

**TYPICAL JOINT DETAILS**

| REVISIONS |      | STATE OF ILLINOIS<br>DEPARTMENT OF TRANSPORTATION<br>REHABILITATION AND RETROFIT REPAIRS<br>FAI ROUTE 70<br>POPLAR STREET BRIDGE APPROACHES<br>ST. CLAIR COUNTY |
|-----------|------|---|
| NAME      | DATE |   |
|           |      | STRUCTURE NO. 082-0142 (RAMP S)<br>SCALE:<br>DATE: 02/28/2006   |
|           |      |   |

DATE: 4/19/2006 FILENAME: F:\2001\2001-1800\2001.1240\drafting\roadwayrehab\_ds\rapms\join\_s-join08.dgn

|          |     |
|----------|-----|
| DESIGNED | JPD |
| CHECKED  | CSD |
| DRAWN    | CLK |
| CHECKED  | JPD |