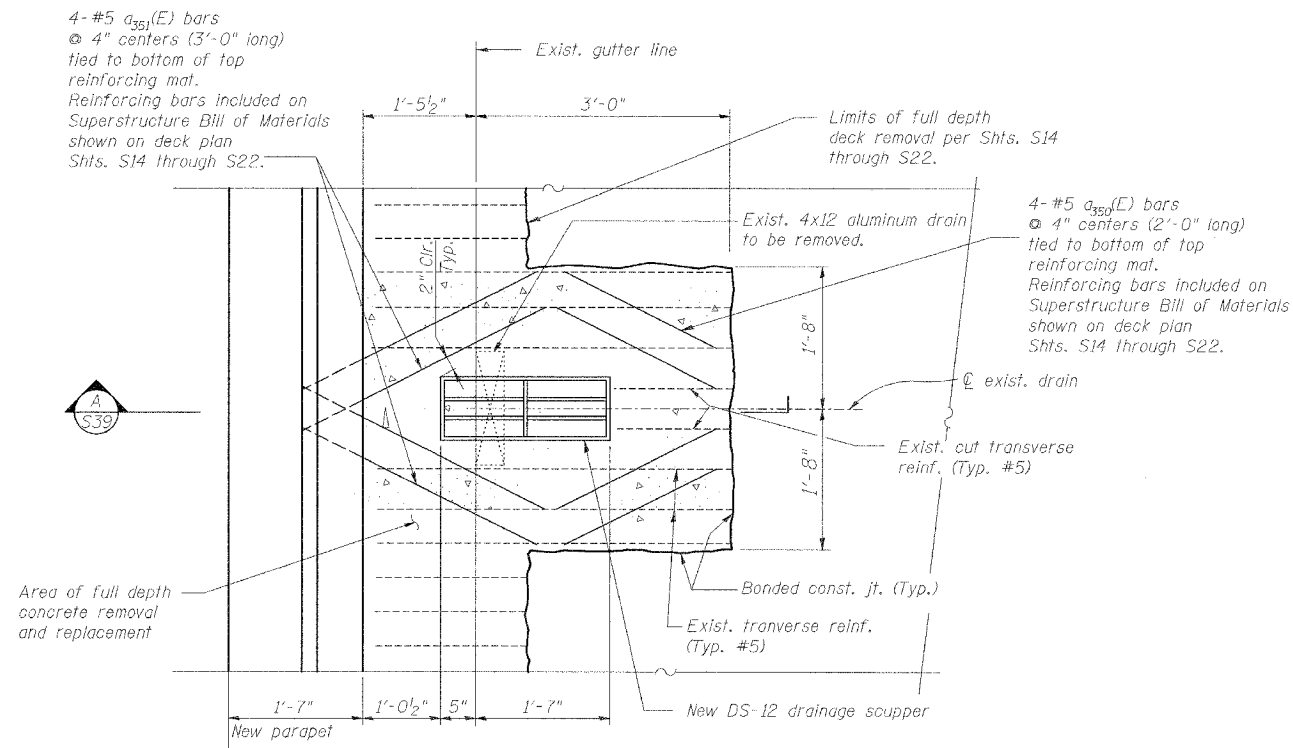


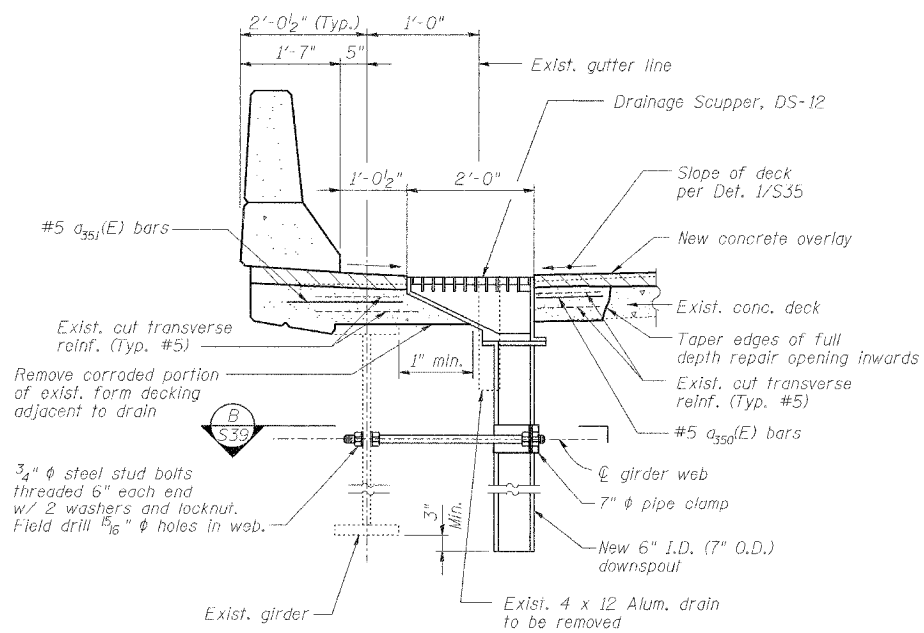
ROUTE NO.	SECTION	COUNTY	TOTAL SHEETS	SHEET NO.
F.A.I. 70	*	ST. CLAIR	111	106
FED. ROAD DIST. NO. 7	ILLINOIS	FED. AID PROJECT- 34-78		

* 82-3HVB-3R-3 SHEET S-39 OF S-44
CONTRACT NO. 76305

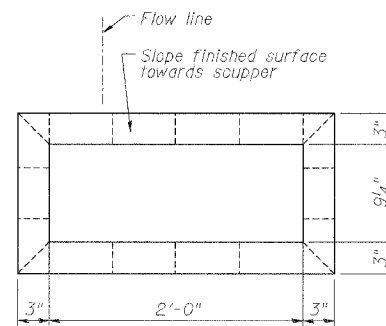


1
S39 **NEW DRAINAGE SCUPPER**

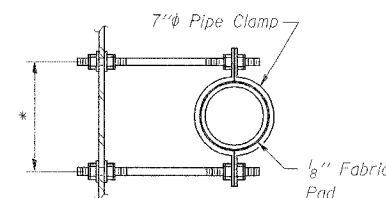
Note:
Exist. and new longitudinal reinforcement not shown for clarity.
Cut exist. longitudinal reinforcement as necessary to clear new scupper.



SECTION A



TOP PLAN



SECTION B
* Dimension as required by Pipe Clamp

REVISIONS	
NAME	DATE

TYPICAL DRAINAGE DETAILS

STATE OF ILLINOIS
DEPARTMENT OF TRANSPORTATION
REHABILITATION AND RETROFIT REPAIRS
FAI ROUTE TO
POPLAR STREET BRIDGE APPROACHES
ST. CLAIR COUNTY

STRUCTURE NO. 082-0142 (RAMP S)

SCALE:

DATE: 02/28/2006

DATE: 4/19/2006
FILENAME: P:\2001\1201-1300\20011240\drafting\roadwayrehab_ds\ramps\drai\p-drai02.dgn

DESIGNED	JPD
CHECKED	CSD
DRAWN	CLK
CHECKED	JPD