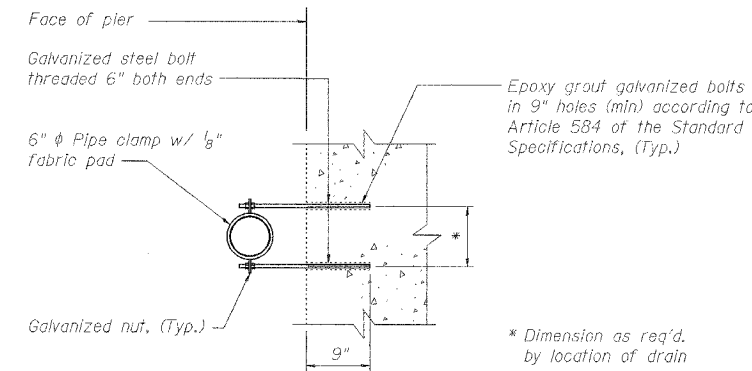
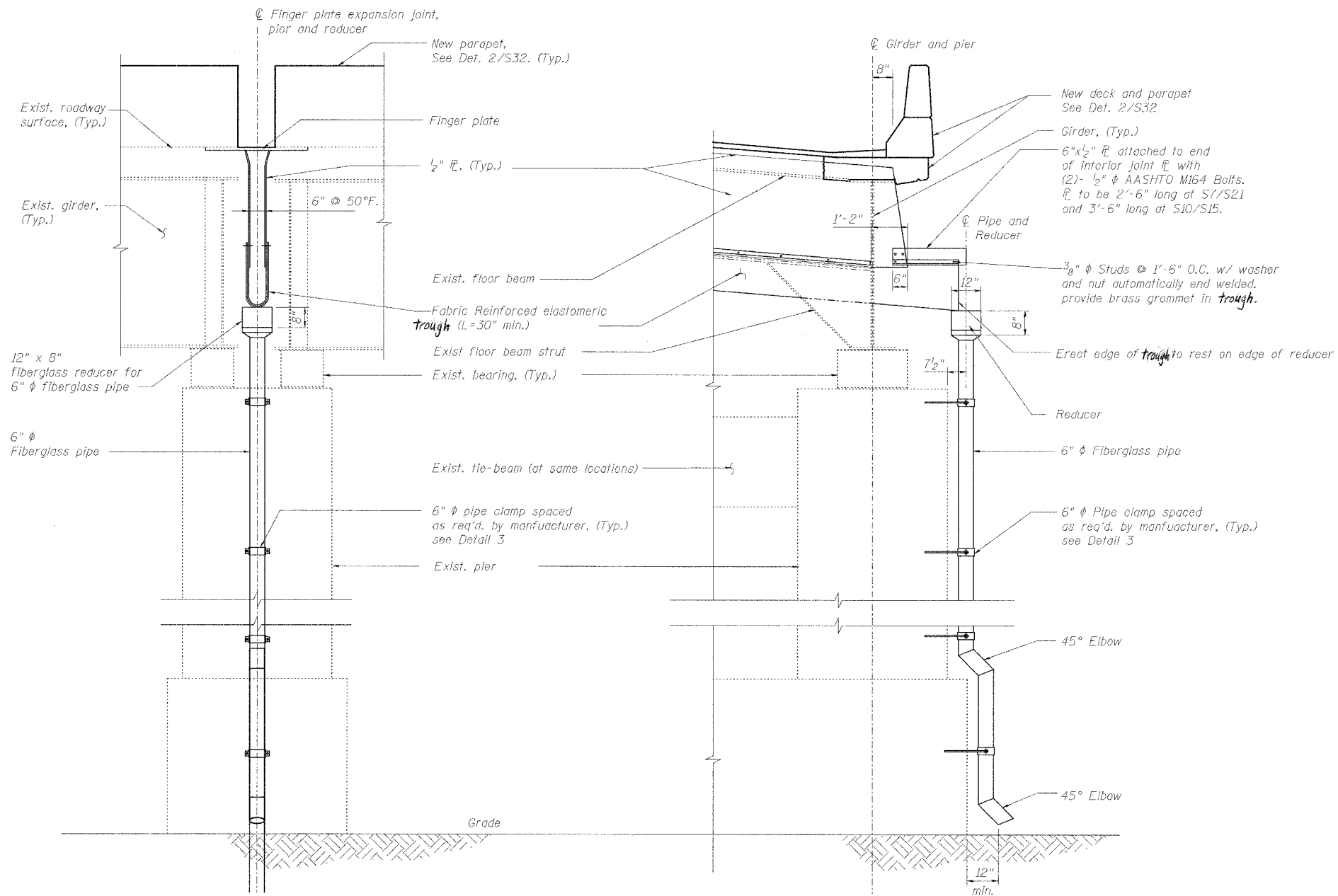


ROUTE NO.	SECTION	COUNTY	TOTAL SHEETS	SHEET NO.
F.A.1. 70	*	ST. CLAIR	111	108
FED. ROAD DIST. NO. 7	ILLINOIS	FED. AID PROJECT- 3H-78		

* 82-3HVB-3R-3 SHEET S-41 OF S-44
CONTRACT NO. 76305



3 PIPE CLAMP DETAIL
S41

- Notes:
- The exterior surfaces of the furnished fiberglass pipe shall be colored or pigmented by the manufacturer with a color that matches the color of concrete.
 - Fiberglass pipe shall conform to ASTM D2996 with short-time rupture strength hoop tensile stress of 29,000 psi minimum. The surface of the fiberglass pipe shall be free of bond inhibiting agents.
 - The clamping device and inserts shall be galvanized according to AASHTO M232.
 - Space drilled holes in existing concrete to miss existing reinforcement.
 - Fiberglass drainage system is included in the Bill of Materials on Sht. S38.

1 FINGER JOINT MAT DRAINAGE DETAIL - END VIEW
S41 PIERS S7, S10, S15 and S21

2 FINGER JOINT MAT DRAINAGE DETAIL - ELEVATION
S41 PIERS S7, S10, S15 and S21

SPECIAL DRAINAGE DETAILS

REVISIONS		STATE OF ILLINOIS DEPARTMENT OF TRANSPORTATION REHABILITATION AND RETROFIT REPAIRS FAI ROUTE 70 POPLAR STREET BRIDGE APPROACHES ST. CLAIR COUNTY
NAME	DATE	
		STRUCTURE NO. 082-0142 (RAMP S1) SCALE: DATE: 02/28/2006

DATE: 4/19/2006 FILENAME: P:\2001\1201-1300\20011240\drafting\roadwayrehab.dwg\amps\drain\se-drai03.dwg

DESIGNED	JPD
CHECKED	CSD
DRAWN	CLK
CHECKED	JPD