

F.A.P. RTE.	SECTION	COUNTY	TOTAL SHEETS	SHEET NO.
805	147BR	ST. CLAIR	52	4
STA.		TO STA.		
FED. ROAD DIST. NO.		ILLINOIS FED. AID PROJECT		
CONTRACT NO. 76393				

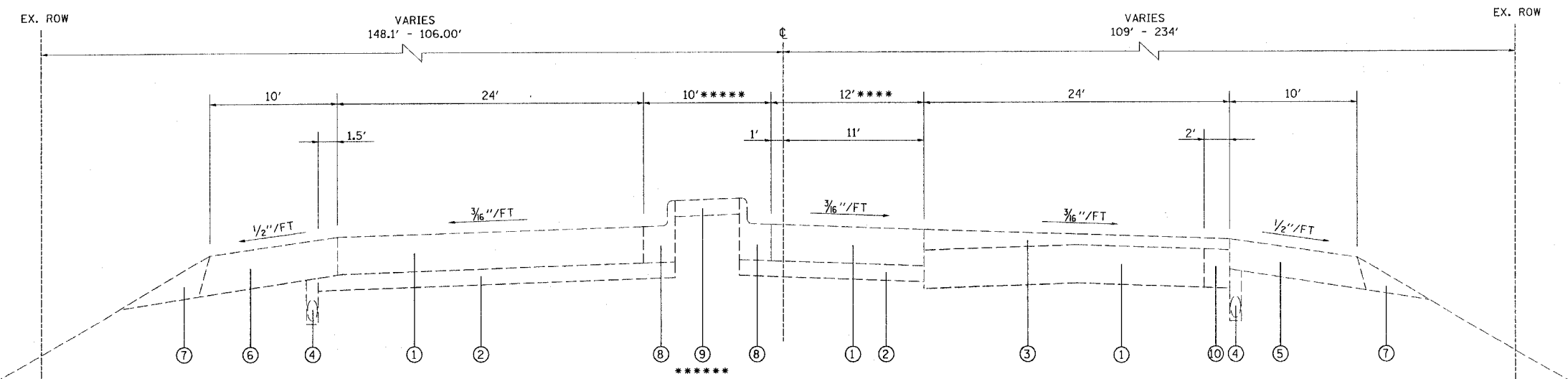
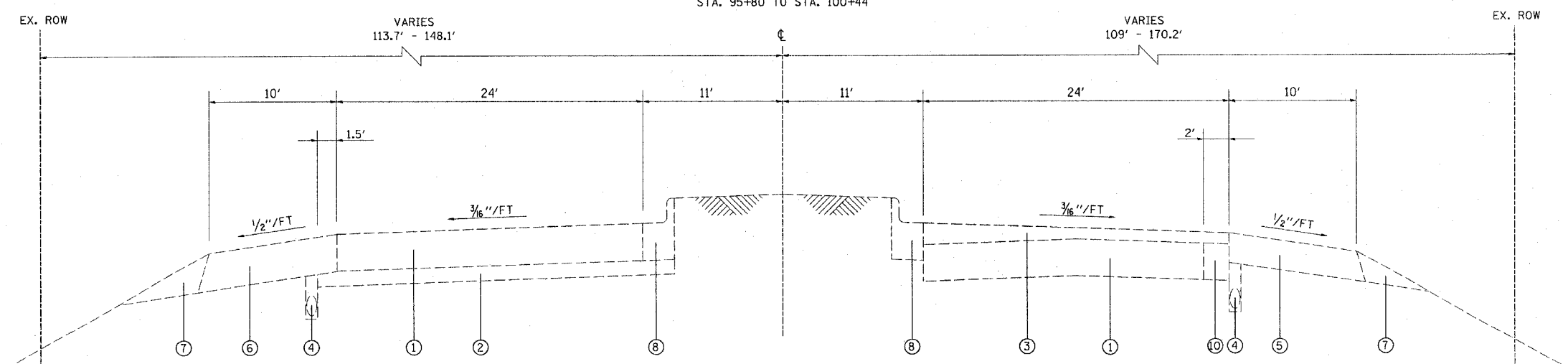
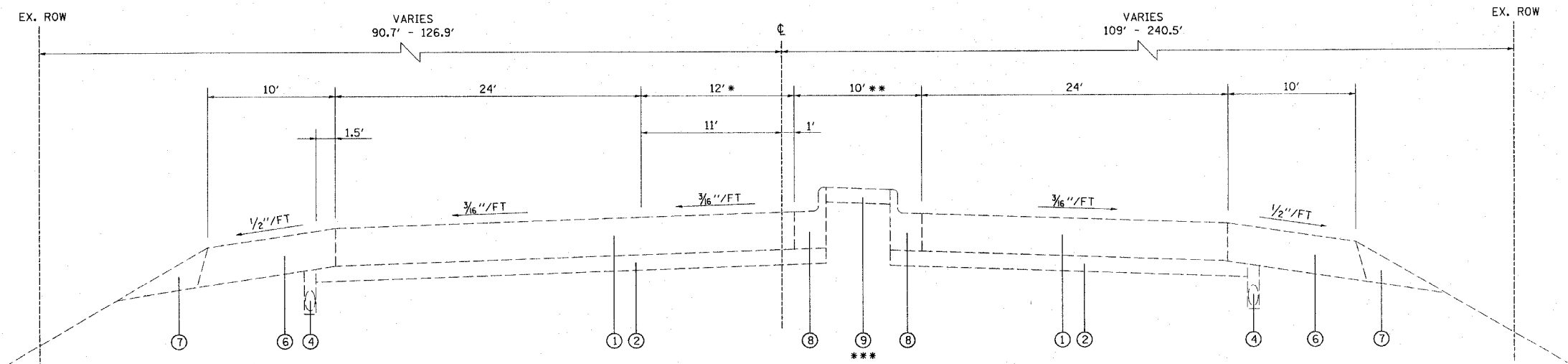
DATE	
BY	
DESIGNED	
PLANNED	
CHECKED	
DATE	
NO.	

NOTE: EXISTING BRIDGE DECK AND APPROACHES HAVE BEEN OVERLAYED WITH A BITUMINOUS SURFACE

* LEFT TURN LANE VARIES 12' TO 0' THRU REVERSE CURVE ENTRANCE TAPER STA. 98+48 TO STA. 100+38 EOP VARIES FROM 1' RT TO 11' LT

** VARIES 10' TO 22' STA. 98+48 TO STA. 100+38

*** 4" CONCRETE MEDIAN SURFACE TRANSITIONS TO EARTH MEDIAN SURFACE AT STA. 99+43



- LEGEND**
- ① EXISTING PCC PAVEMENT, 10"
 - ② EXISTING STABILIZED SUB-BASE, 4"
 - ③ EXISTING BITUMINOUS OVERLAYED PAVEMENT, 4" AND VARIES
 - ④ EXISTING PIPE UNDERDRAINS
 - ⑤ EXISTING BITUMINOUS SHOULDERS, 8"
 - ⑥ EXISTING BITUMINOUS SHOULDERS, 10"
 - ⑦ EXISTING AGGREGATE SHOULDER
 - ⑧ EXISTING COMBINATION CONCRETE CURB & GUTTER, TYPE B-6.24
 - ⑨ EXISTING CONCRETE MEDIAN SURFACE, 4"
 - ⑩ EXISTING BITUMINOUS BASE COURSE WIDENING, 9"
 - ⑪ PROPOSED COMBINATION CURB AND GUTTER, TYPE B-6.24
 - ⑫ PROPOSED COMBINATION CURB AND GUTTER, TYPE M-6.24
 - ⑬ PROPOSED BITUMINOUS CONCRETE SURFACE COURSE SUPERPAVE, 1.5"
 - ⑭ PROPOSED BITUMINOUS CONCRETE LEVEL BINDER SUPERPAVE, 1.0"
 - ⑮ PROPOSED BITUMINOUS CONCRETE BINDER COURSE SUPERPAVE, VARIABLE
 - ⑯ PROPOSED BITUMINOUS MATERIALS (PRIME COAT)
 - ⑰ PROPOSED AGGREGATE (PRIME COAT)
 - ⑱ PROPOSED PCC MEDIAN SURFACE, 4"
 - ⑲ PROPOSED AGGREGATE SHOULDER
 - ⑳ PROPOSED SUB-BASE GRANULAR MATERIAL, TYPE B - 4"
 - ㉑ PROPOSED PCC BASE COURSE WIDENING-12"

**** LEFT TURN LANE VARIES 0' TO 12' THRU REVERSE CURVE ENTRANCE TAPER STA. 107+66 TO STA. 109+96 EOP VARIES FROM 11' RT TO 1' LT

***** VARIES 22' TO 10' STA. 107+66 TO STA. 109+96

***** EARTH MEDIAN SURFACE TRANSITIONS TO 4" CONCRETE MEDIAN SURFACE AT STA. 108+81

REVISIONS	
NAME	DATE

ILLINOIS DEPARTMENT OF TRANSPORTATION
EXISTING ROADWAY TYPICAL SECTIONS
FAP ROUTE 805
SECTION 147BR
ST. CLAIR COUNTY
DRAWN BY:

Rev.

PLOT DATE: *DATE-TIME*

DATE TIME
DATE-TIME
DATE-TIME
DATE-TIME