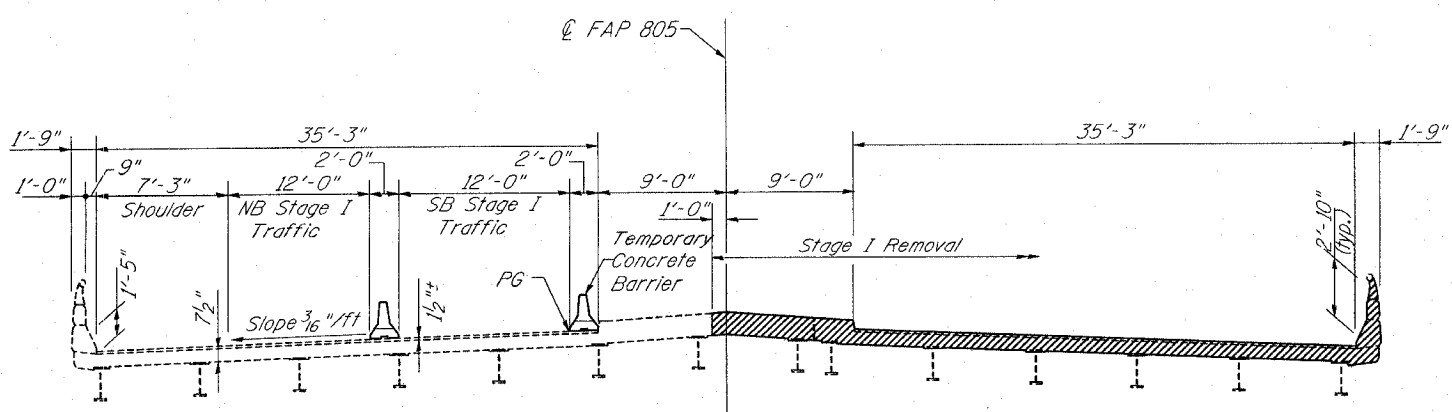
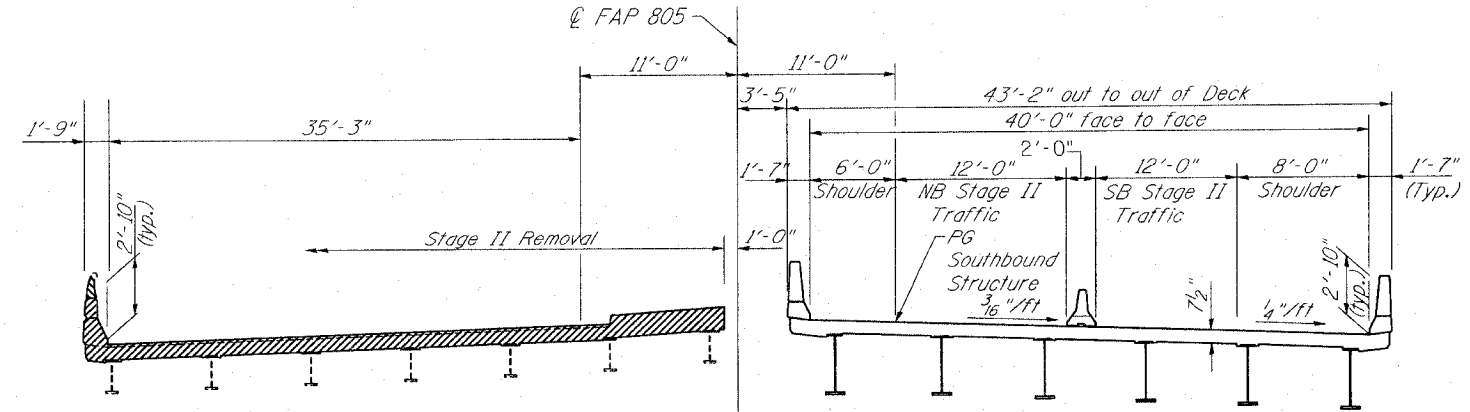


FAP ROUTE	SECTION	COUNTY	TOTAL SHEETS	SHEET NO.
805	147BR	ST. CLAIR	52	19
STA.	TO STA.			
EXISTING CONDITIONS:				
CONTRACT NO. 76393				

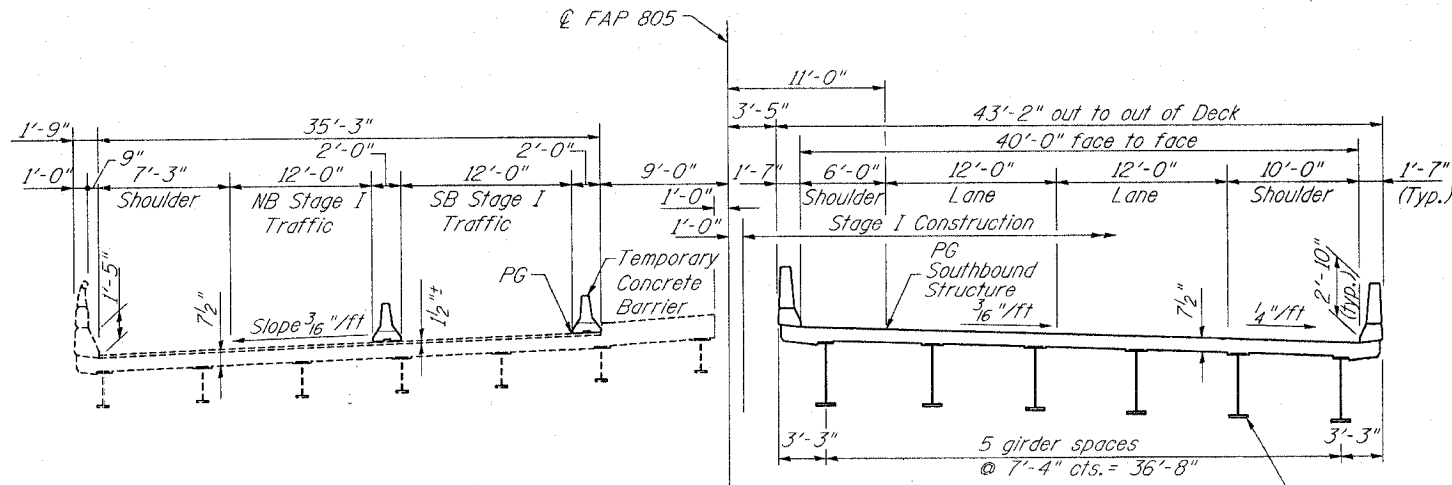
PLAN	DATE
BY	
CHECKED	
DESIGNED	
NOTED	
DATE	
NO.	
FILE NAME	



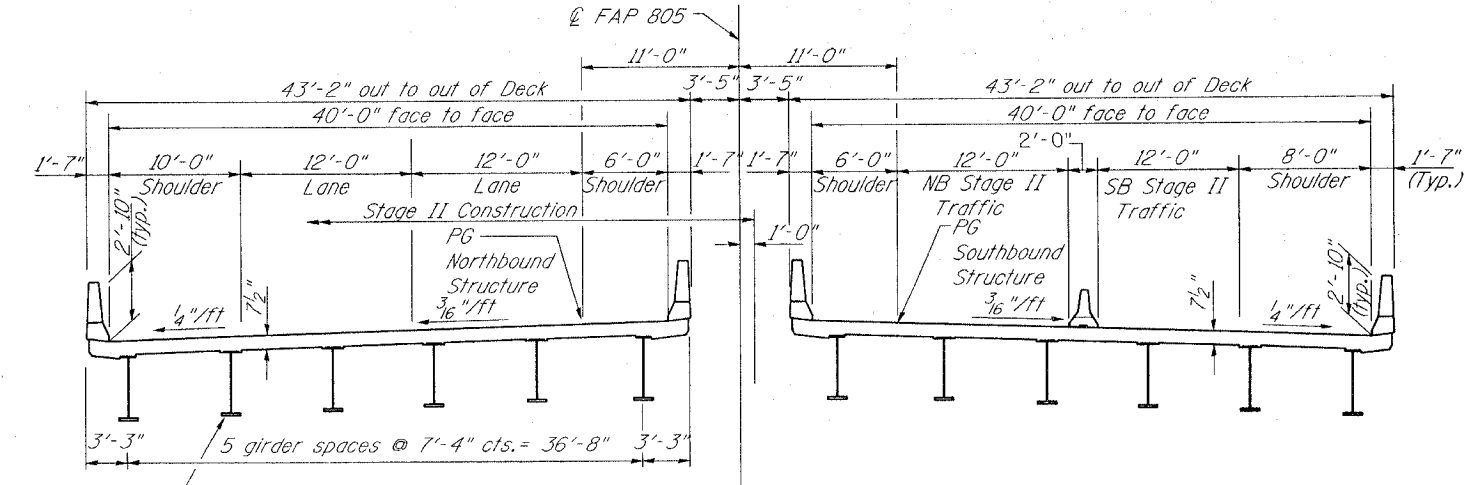
STAGE I REMOVAL
(Looking South)



STAGE II REMOVAL
(Looking South)



STAGE I CONSTRUCTION
(Looking South)



STAGE II CONSTRUCTION
(Looking South)

REVISIONS	
NAME	DATE

ILLINOIS DEPARTMENT OF TRANSPORTATION
STAGE CONSTRUCTION PLAN SHEET
 TYPICAL SECTION
 STAGE I AND II
 FAP ROUTE 805
 SECTION 147BR
 ST. CLAIR COUNTY

DRAWN BY:
 PLOT DATE: *DATE-TIME*

DATE TIME
 DATE-TIME