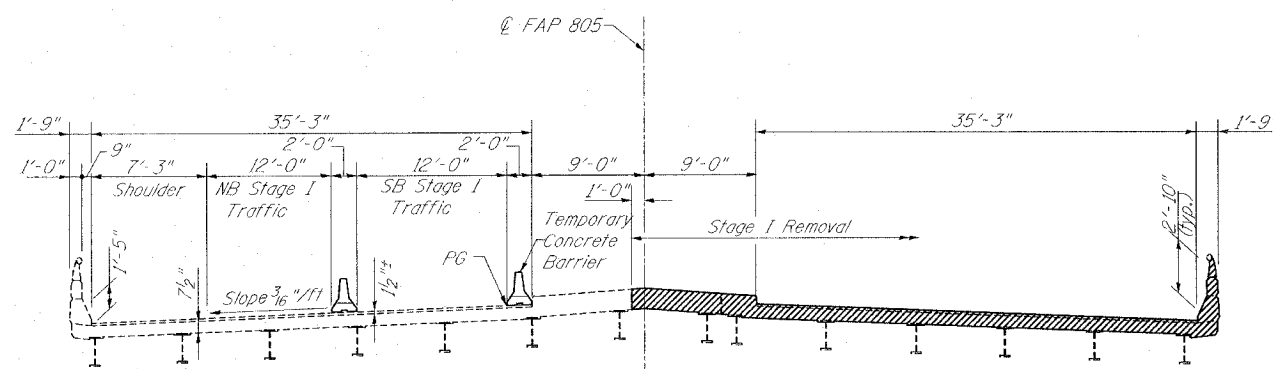


STATE OF ILLINOIS
DEPARTMENT OF TRANSPORTATION

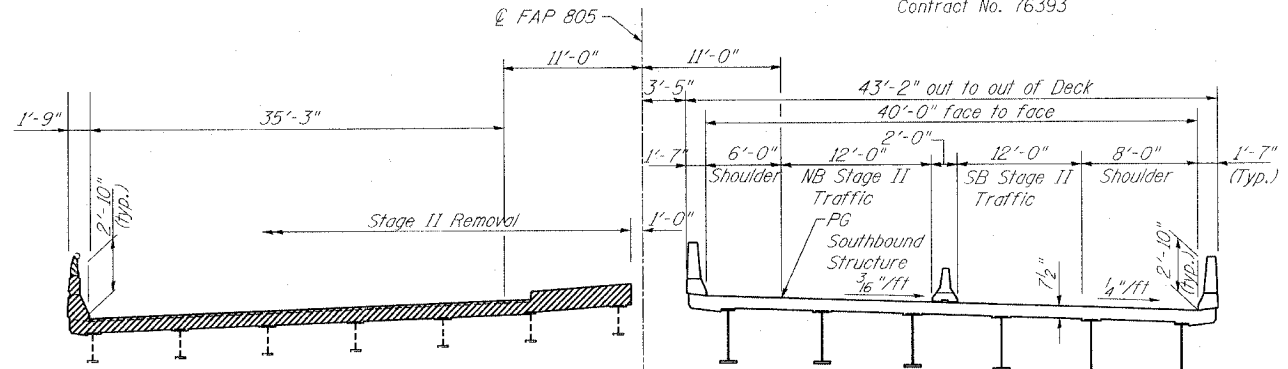
F.A.P. ROUTE	SECTION	COUNTY	TOTAL SHEETS	SHEET NO.
FAP 805	147BR	ST. CLAIR	52	23
FED. AID DIST. NO. 1		ILLINOIS	FED. AID PROJECT	

Contract No. 76393

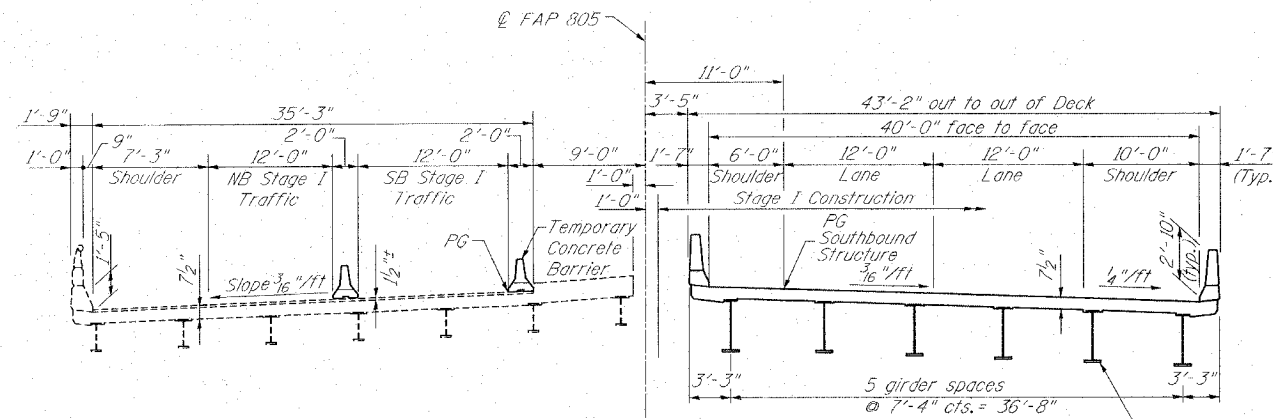
24 SHEETS



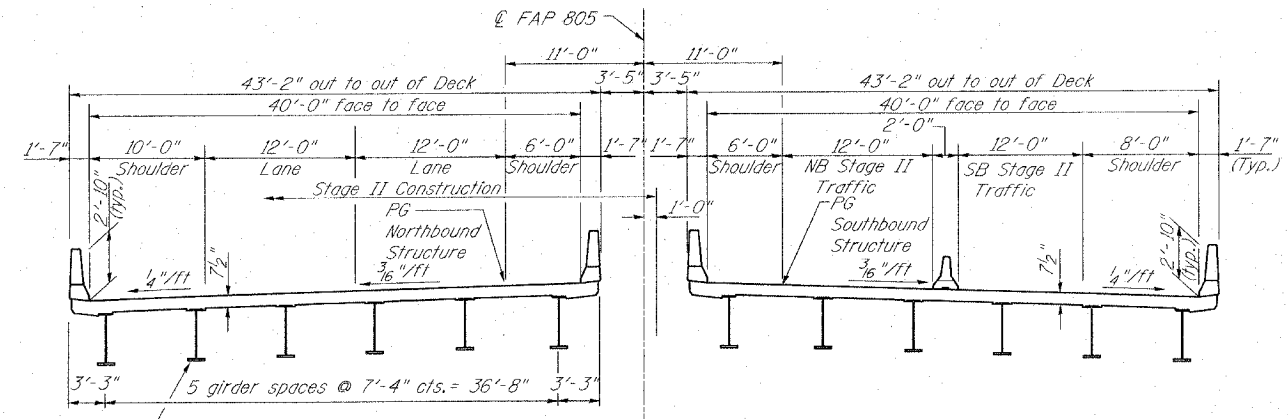
STAGE I REMOVAL
(Looking South)



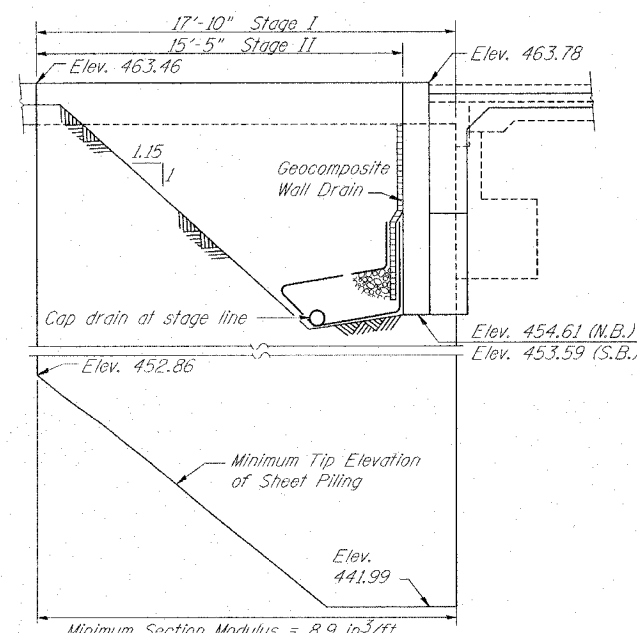
STAGE II REMOVAL
(Looking South)



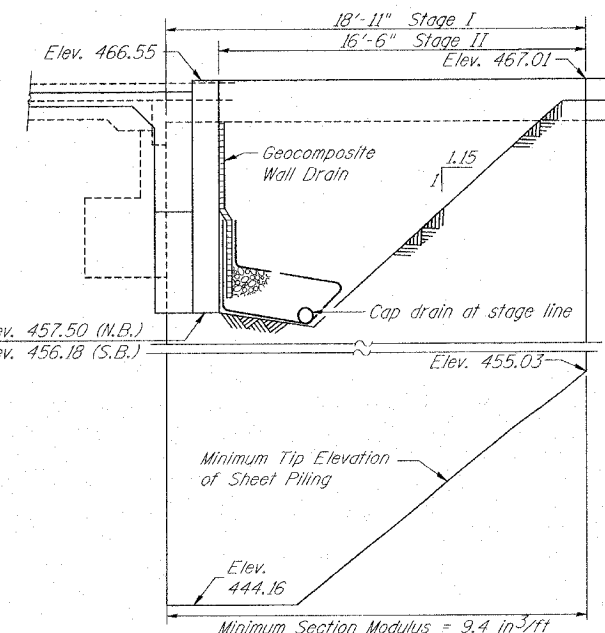
STAGE I CONSTRUCTION
(Looking South)



STAGE II CONSTRUCTION
(Looking South)



SECTION A-A



SECTION B-B

Note:
If the Contractor chooses to alter the temporary cantilevered sheet piling design requirements shown on the plans, a design submittal including plan details and calculations will be required for the review and acceptance by the Engineer.

THOUVENOT, WADE & MOERCHEN, INC.



DESIGNED	ALN
CHECKED	BWP
DRAWN	JMJ, DEH
CHECKED	ALN

TEMPORARY SHEET PILING
(See Sheet 1 of 24 for location)

ILLINOIS ROUTE 161 OVER
TRIBUTARY TO SCHOENBERGER CREEK
F.A.P. ROUTE 805 - SECTION 147BR
ST. CLAIR COUNTY
STATION 101+03.82
STRUCTURE NO. 082-0102 (N.B.)
STRUCTURE NO. 082-0103 (S.B.)

STAGE CONSTRUCTION & MISC. DETAILS

FILE LOCATION: #FILE# DATE: #DATE# TIME: #TIME# PLOTTED BY: #USER#