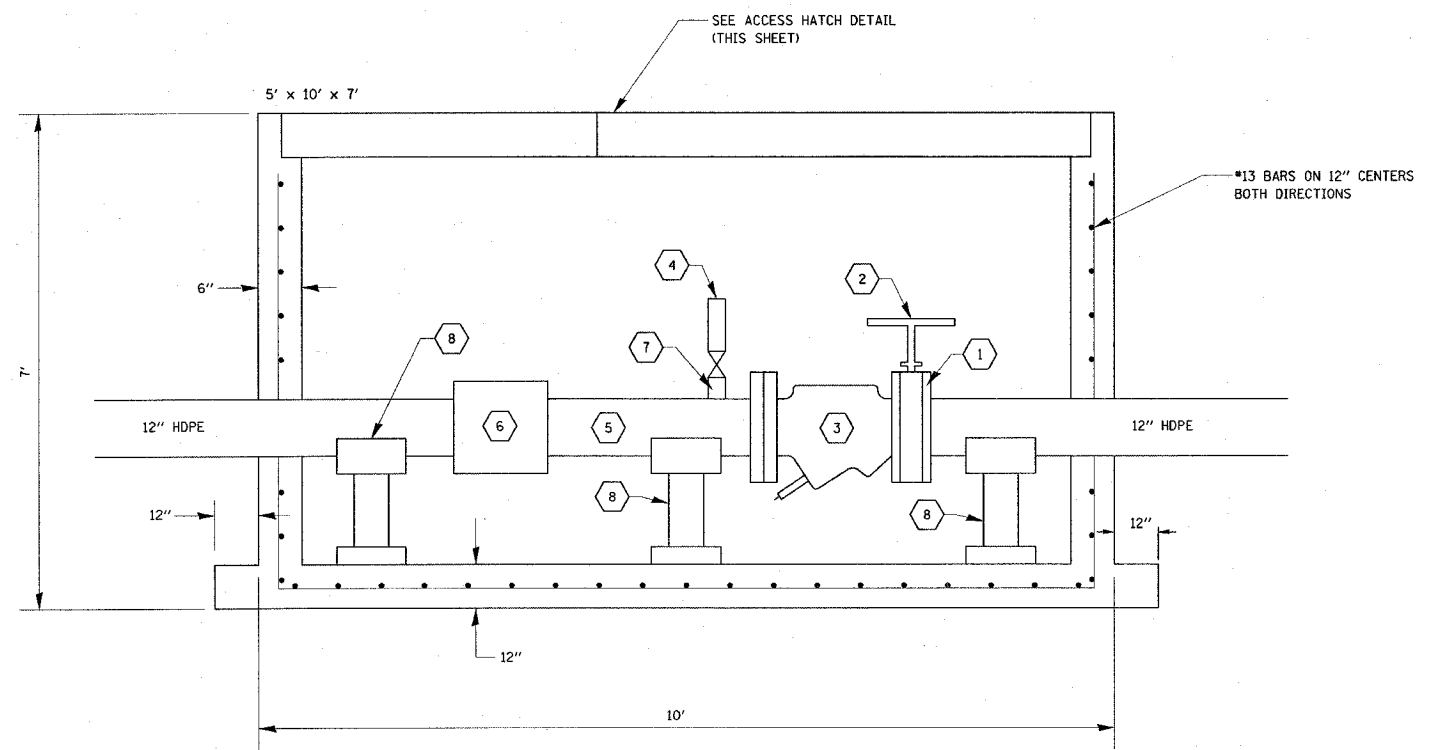
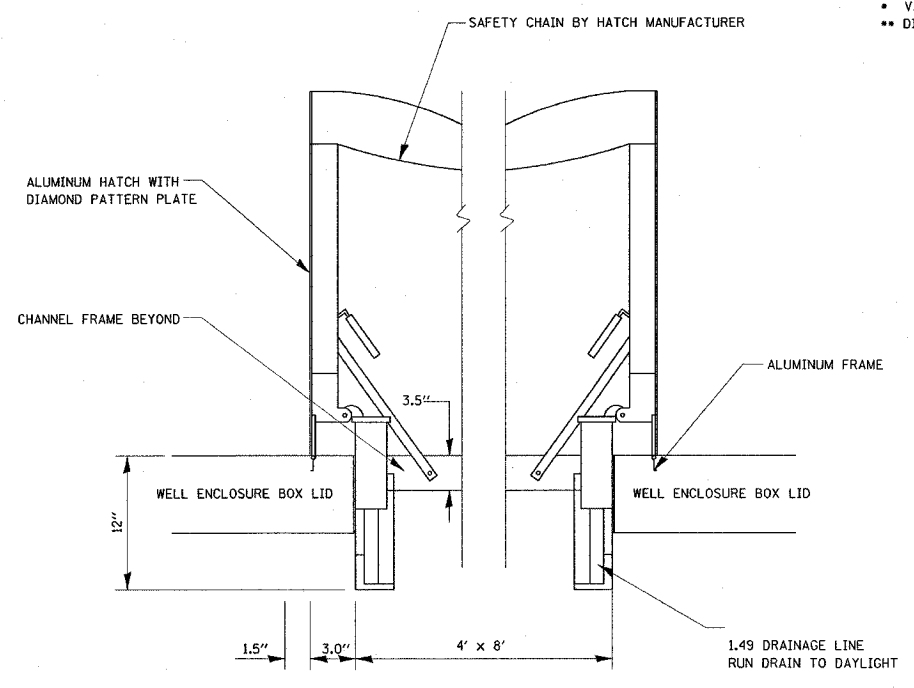


FAP ROUTE	SECTION	COUNTY	TOTAL SHEETS	SHEET NO.
*	**	ST. CLAIR	7	4
STA.		TO STA.		
CONTRACT NO.: T6A14				

- VARIOUS
- DIST 8 DEEP WELLS 2006-2



WELL ENCLOSURE BOX DETAIL
N.T.S.



ACCESS HATCH DETAIL
N.T.S.

NOTES

- DOG HOUSE BOX DESIGN WILL BE ACCEPTED.
- BOLTS, NUTS, AND WASHERS FOR CONNECTION OF VALVE TO PIPE LINE SHALL BE 304 S.S. OF THE SIZE RECOMMENDED BY THE MANUFACTURER.
- ALL EXCAVATION DIRT SHALL REMAIN ON SITE AND BE USED FOR GRADING AS PER DIRECTED BY THE ENGINEER.

LEGEND

- 1 12" FLANGE
- 2 12" KNIFE GATE VALVE S.S.
- 3 12" SWINGFLEX CHECK VALVE S.S.
- 4 AIR/VAC VALVE WITH ISOLATING HALL VALVE
- 5 12" S.S. PIPE AND FLANGES
- 6 12" S.S. COUPLING (REPAIR CLAMP)
- 7 S.S. NIPPLE WELDED TO 12" S.S. PIPE
- 8 PIPE SUPPORTS

NOTES

MATERIAL AND WORKMANSHIP:

ILLINOIS DEPARTMENT OF TRANSPORTATION STANDARD SPECIFICATION FOR ROAD AND BRIDGE CONSTRUCTION ADOPTED JANUARY 1, 2002.

CONCRETE STRENGTH, 4 ksi, WITH REINFORCING BAR GRADE 60 STEEL = ASTM 36.

DESIGN:

AISC MANUAL OF STEEL CONSTRUCTION, 9th EDITION
ACI 318-93: BUILDING CODE AND COMMENTARY.

PLAN	DATE
SURVEYED	
NOTE BOOK	
ALIGNMENT CHECKED	
FIELD FILE NAME	
NO.	

DATE
CON-SPEC
REF
REF

REVISIONS	
NAME	DATE

ILLINOIS DEPARTMENT OF TRANSPORTATION
**WELL ENCLOSURE BOX
AND ACCESS HATCH DETAILS**
VARIOUS ROUTES
SECTION DIST 8 DEEP WELLS 2006-2
ST. CLAIR COUNTY

DRAWN BY:

PLOT DATE: *DATE-TIME*