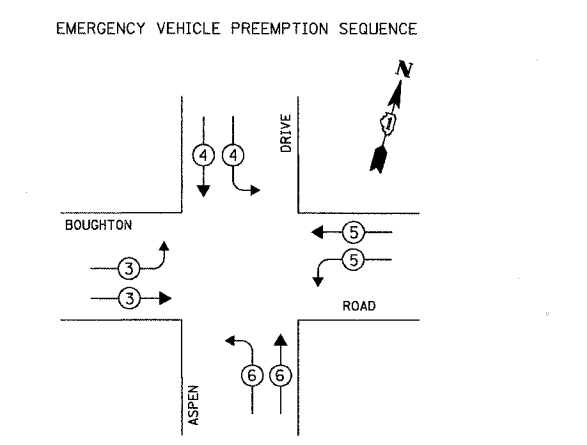
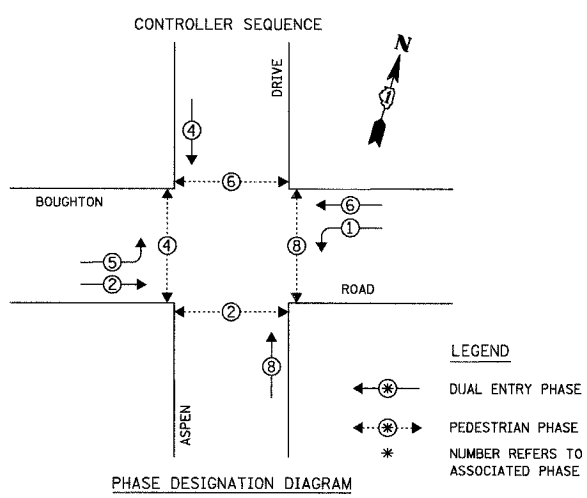


F.A.U. RTE.	SECTION	COUNTY	TOTAL SHEETS	SHEET NO.
3580 04-00043-00-TL		WILL	54	20
STA.	TO STA.			
FED. ROAD DIST. NO.	ILLINOIS	FED. AID PROJECT		
CONTRACT NO. 83855				

THE FOLLOWING EXISTING TRAFFIC SIGNAL EQUIPMENT SHALL BE REMOVED BY THE CONTRACTOR, SHALL REMAIN THE PROPERTY OF THE OF THE VILLAGE OF BOLINGBROOK, AND SHALL BE DELIVERED BY THE CONTRACTOR TO THE VILLAGE YARD AS PER THE TRAFFIC SIGNAL SPECIFICATIONS.

1 EACH CABINET

SCHEDULE OF QUANTITIES			
ITEM	UNIT	TOTAL	
CONTROLLER CABINET TYPE V	EACH	1	
MAINTENANCE OF EXISTING TRAFFIC SIGNAL INSTALLATION	EACH	1	
TRANSCIVER - FIBER OPTIC	EACH	1	
INDUCTIVE LOOP DETECTOR	EACH	8	
RELOCATE EXISTING TRAFFIC SIGNAL CONTROLLER	EACH	1	
REMOVE EXISTING TRAFFIC SIGNAL EQUIPMENT	EACH	1	
RELOCATE EXISTING EMERGENCY VEHICLE PRIORITY GPS SYSTEM	EACH	1	
RELOCATE EXISTING UPS BATTERY BACK-UP SYSTEM	EACH	1	



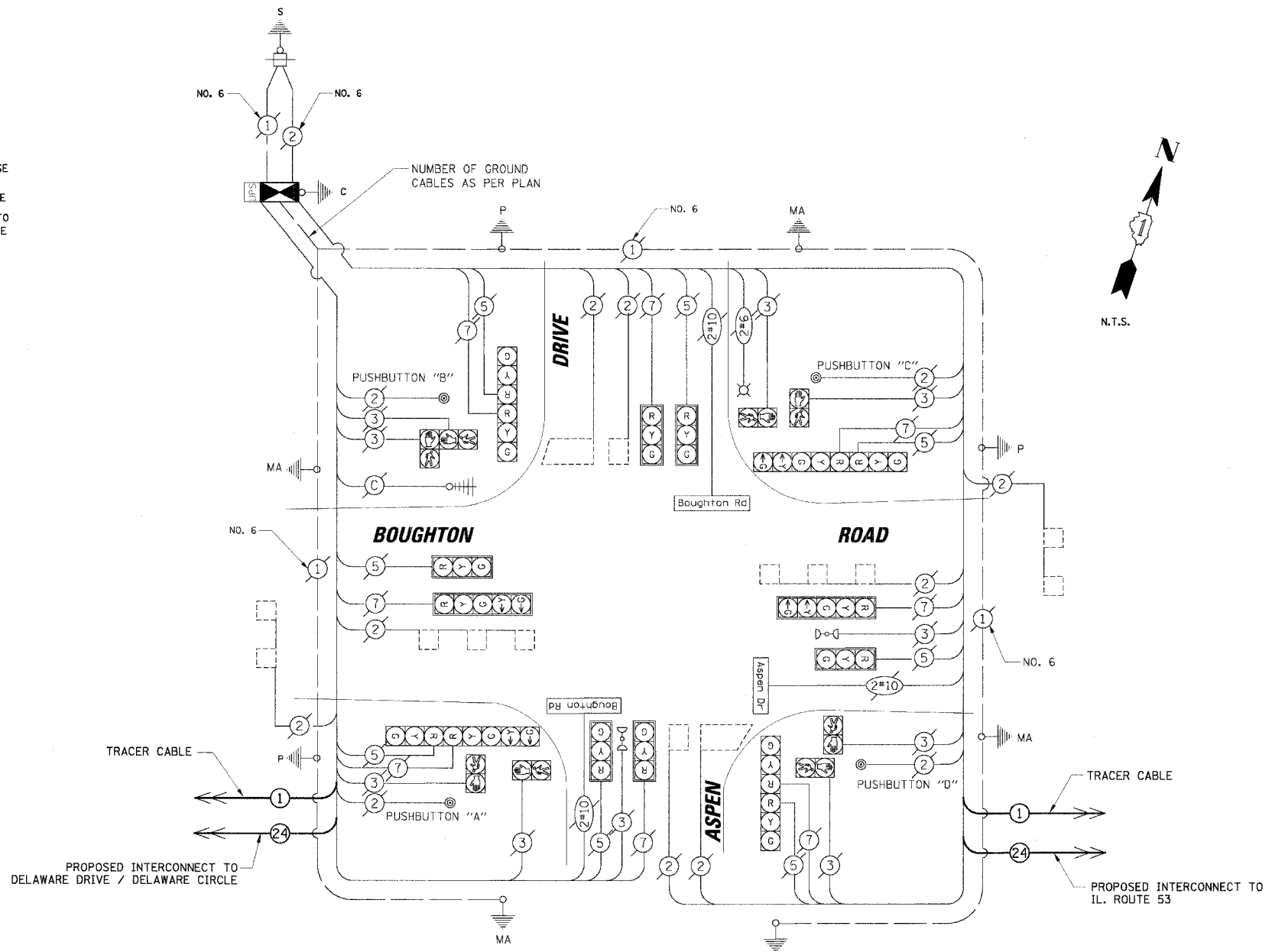
PROPOSED EMERGENCY VEHICLE PREEMPTORS				
EMERGENCY VEHICLE PREEMPTOR	3	4	5	6
MOVEMENT	↔	↔	↔	↔

I.D.O.T. TRAFFIC SIGNAL INSTALLATION ELECTRICAL SERVICE REQUIREMENTS					TOTAL WATTAGE
TYPE	NO. OF LAMPS	WATTAGE INCAND.	LED	% OPERATION	
SIGNAL (RED)	16	17	0.50		136.00
(YELLOW)	16	25	0.25		100.00
(GREEN)	16	15	0.25		60.00
ARROW	4	12	0.10		4.80
PED. SIGNAL	8	25	1.00		200.00
CONTROLLER	1	100	1.00		100.00
ILLUM. SIGN	-	25	0.05		-
ILLUM. ST. NAME SIGN	3	60	0.50		90.00
FLASHER	-	-	0.50		-
TOTAL =					690.80

ENERGY COSTS TO:
VILLAGE OF BOLINGBROOK
 375 BRIARCLIFF ROAD
 BOLINGBROOK, ILLINOIS 60440-0951
 ENERGY SUPPLY: CONTACT: DALE BOLLINGER
 PHONE: (815) 724-5717
 COMPANY: COMED

FOUNDATION (DEPTH)	FT. (m)	CABLE SLACK	FT. (m)	VERTICAL	FT. (m)
TYPE A - POST	4 (1.2)	HANDHOLE	6.5 (2.0)	ALL FOUNDATIONS	3.5 (1.0)
D - CONTROLLER	4 (1.2)	DOUBLE HANDHOLE	13 (4.0)	MAST ARM (L) POLE	20'±L-2'
E - M. ARM POLE		SIGNAL POST	2 (1.0)		(6m±L-0.6m)
24" (600mm)	10 (3.0)	CONTROLLER CAB.	1 (0.5)	BRACKET MOUNTED	13 (4.0)
30" (750mm)	15 (4.6)	FIBER OPTIC	13 (4.0)	PED. PUSHBUTTON	4 (1.2)
36" (900mm)	15 (4.6)	ELECTRIC SERVICE	1 (0.5)	ELECTRIC SERVICE	13.5 (4.1)
		GROUND CABLE	1 (0.5)	SERVICE TO GROUND	13.5 (4.1)
				POST MOUNTED	6 (1.8)

NOTE:
 PUSHBUTTON "A" SHALL PLACE A CALL IN PHASES 2 AND 4.
 PUSHBUTTON "B" SHALL PLACE A CALL IN PHASES 4 AND 6.
 PUSHBUTTON "C" SHALL PLACE A CALL IN PHASES 6 AND 8.
 PUSHBUTTON "D" SHALL PLACE A CALL IN PHASES 2 AND 8.



NOTE:
 THE TRAFFIC SIGNAL CONTROLLER EQUIPMENT FOR THIS PROJECT SHALL BE "ECONOLITE" TO MATCH THE EXISTING ADJACENT SYSTEM.

EXISTING		PROPOSED		CABLE PLAN LEGEND
[Symbol]	[Symbol]	[Symbol]	[Symbol]	8" (200mm) TRAFFIC SIGNAL SECTION
[Symbol]	[Symbol]	[Symbol]	[Symbol]	12" (300mm) TRAFFIC SIGNAL SECTION
[Symbol]	[Symbol]	[Symbol]	[Symbol]	12" (300mm) PEDESTRIAN SIGNAL SECTION
[Symbol]	[Symbol]	[Symbol]	[Symbol]	12" (300mm) PEDESTRIAN SIGNAL SECTION
[Symbol]	[Symbol]	[Symbol]	[Symbol]	CONTROLLER CABINET
[Symbol]	[Symbol]	[Symbol]	[Symbol]	SERVICE INSTALLATION
[Symbol]	[Symbol]	[Symbol]	[Symbol]	TELEPHONE INSTALLATION
[Symbol]	[Symbol]	[Symbol]	[Symbol]	VEHICLE DETECTOR, INDUCTION LOOP
[Symbol]	[Symbol]	[Symbol]	[Symbol]	MAGNETIC DETECTOR
[Symbol]	[Symbol]	[Symbol]	[Symbol]	EMERGENCY VEHICLE LIGHT DETECTOR
[Symbol]	[Symbol]	[Symbol]	[Symbol]	CONFIRMATION BEACON
[Symbol]	[Symbol]	[Symbol]	[Symbol]	PUSHBUTTON DETECTOR
[Symbol]	[Symbol]	[Symbol]	[Symbol]	2 DENOTES NUMBER OF CONDUCTORS.
[Symbol]	[Symbol]	[Symbol]	[Symbol]	ALL CABLE NO. 14 EXCEPT AS INDICATED.
[Symbol]	[Symbol]	[Symbol]	[Symbol]	ALL LOOP DETECTOR CABLE TO BE SHIELDED.
[Symbol]	[Symbol]	[Symbol]	[Symbol]	1 GROUND CABLE IN CONDUIT
[Symbol]	[Symbol]	[Symbol]	[Symbol]	NO. 6 SOLID COPPER (GREEN)
[Symbol]	[Symbol]	[Symbol]	[Symbol]	24 FIBER OPTIC CABLE IN CONDUIT
[Symbol]	[Symbol]	[Symbol]	[Symbol]	NO. 62.5/125 2-MM12F SM12F
[Symbol]	[Symbol]	[Symbol]	[Symbol]	SIGNAL FACE WITH BACKPLATE.
[Symbol]	[Symbol]	[Symbol]	[Symbol]	"P" INDICATES PROGRAMMED HEAD.
[Symbol]	[Symbol]	[Symbol]	[Symbol]	RAILROAD CONTROL CABINET
[Symbol]	[Symbol]	[Symbol]	[Symbol]	ILLUMINATED SIGN "NO LEFT TURN"
[Symbol]	[Symbol]	[Symbol]	[Symbol]	ILLUMINATED SIGN "NO RIGHT TURN"
[Symbol]	[Symbol]	[Symbol]	[Symbol]	GROUND ROD AT HANDHOLE (H), DOUBLE HANDHOLE (H), OR CONTROLLER (C)
[Symbol]	[Symbol]	[Symbol]	[Symbol]	OR MAST ARM POLE (MA)
[Symbol]	[Symbol]	[Symbol]	[Symbol]	GROUND ROD AT ELECTRIC SERVICE INSTALLATION
[Symbol]	[Symbol]	[Symbol]	[Symbol]	ILLUMINATED STREET NAME SIGN
[Symbol]	[Symbol]	[Symbol]	[Symbol]	EMERGENCY VEHICLE SYSTEM ANTENNA
[Symbol]	[Symbol]	[Symbol]	[Symbol]	LUMINAIRE
[Symbol]	[Symbol]	[Symbol]	[Symbol]	COAXIAL CABLE
[Symbol]	[Symbol]	[Symbol]	[Symbol]	UNINTERRUPTIBLE POWER SUPPLY

- CONSTRUCTION NOTES:
- REMOVE EXISTING CABINET. INSTALL NEW TYPE V CABINET ON EXISTING FOUNDATION, AND FIBER OPTIC TRANSCIVER.
 - RELOCATE EXISTING CONTROLLER, EVP AND UPS UNITS.
 - FIBER OPTIC CABLE FROM DELAWARE DRIVE TO BE TERMINATED IN SPLICE BOX BUT NOT CONNECTED TO THIS INTERSECTION.

REVISIONS	
NAME	DATE

ILLINOIS DEPARTMENT OF TRANSPORTATION
SCHEDULE OF QUANTITIES, CABLE PLAN AND PHASE DESIGNATION DIAGRAM
 BOUGHTON ROAD AND ASPEN DRIVE
 BOLINGBROOK, ILLINOIS
 SCALE: N.T.S.
 DATE: 4/7/2006
 DRAWN BY: FCP/FPB
 DESIGNED BY: MKW
 CHECKED BY: MJT

DATE: _____
 BY: _____
 PROFILE: _____
 PLOTTED: _____
 NOTE BOOK: _____
 NO. _____
 STRUCTURE NOTATIONS: _____
 FILE NAME: _____
 DATE: _____
 BY: _____
 PROFILE: _____
 PLOTTED: _____
 NOTE BOOK: _____
 NO. _____
 STRUCTURE NOTATIONS: _____
 FILE NAME: _____