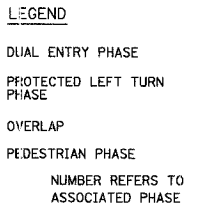
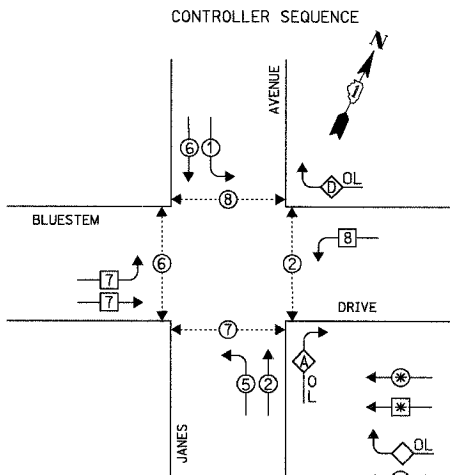
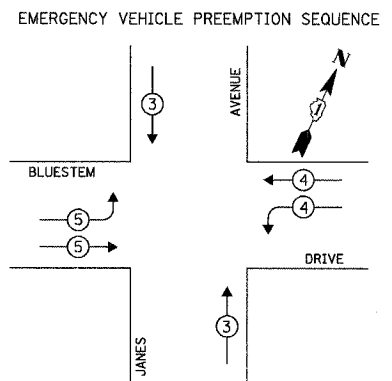


F.A.U. SECTION	COUNTY	TOTAL SHEETS	SHEET NO.
3580 04-00043-00-TL	WILL	54	31
STA.	TO STA.		
FED. ROAD DIST. NO.	ILLINOIS FED. AID PROJECT		
CONTRACT NO.: 83855			



PHASE DESIGNATION DIAGRAM

OVERLAP LETTER	PERMISSIVE PHASE	PROTECTED PHASE
A =	2 +	8
D =	8 +	1



PROPOSED EMERGENCY VEHICLE PREEMPTORS

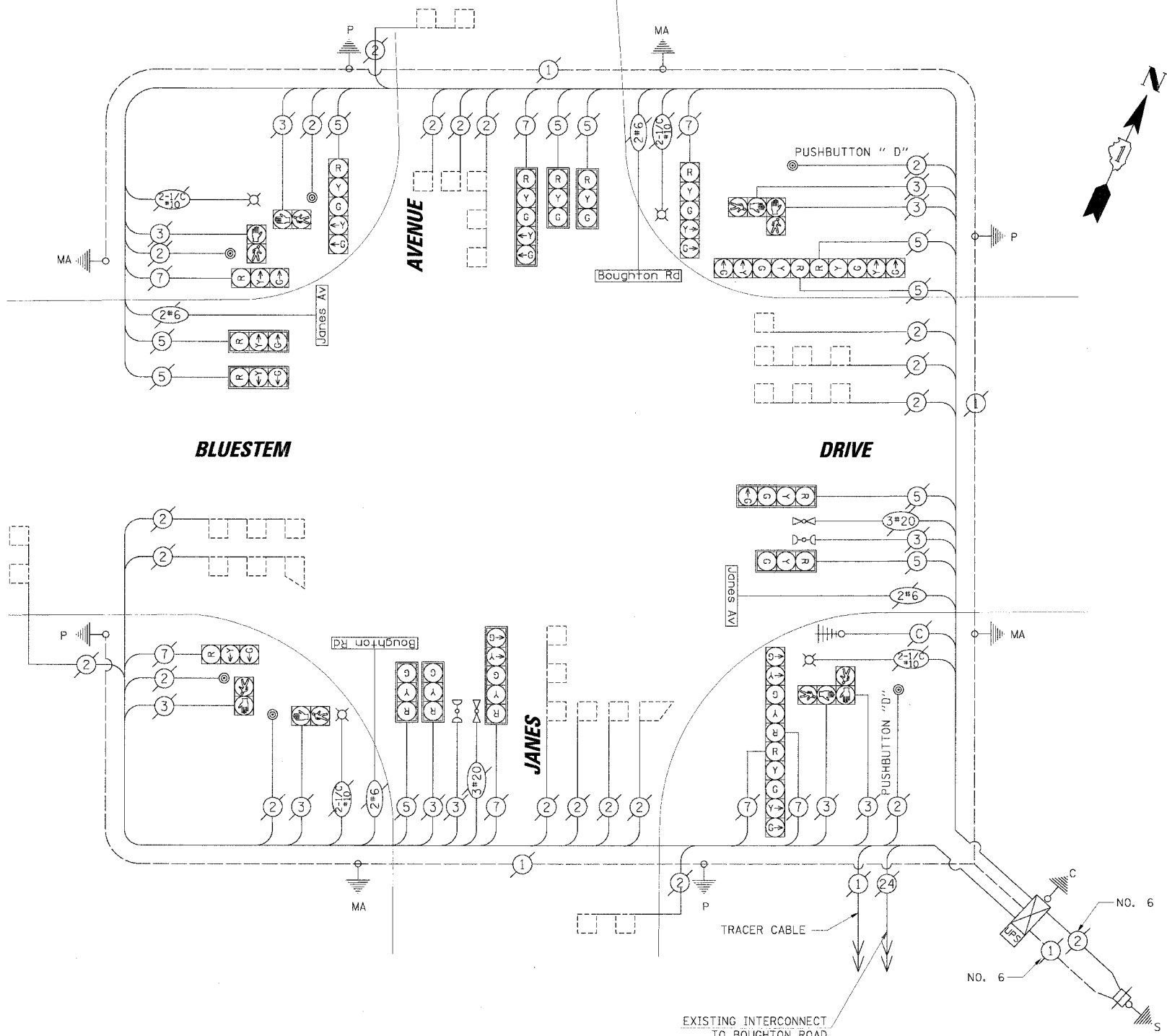
EMERGENCY VEHICLE PREEMPTOR	3	4	5
MOVEMENT	↓ ↑	← →	← →

I.D.O.T. TRAFFIC SIGNAL INSTALLATION ELECTRICAL SERVICE REQUIREMENTS

TYPE	NO. OF LAMPS	WATTAGE	TOTAL WATTAGE
SIGNAL (RED)	24	17	204.00
(YELLOW)	24	25	150.00
(GREEN)	24	15	90.00
ARROW	20	12	24.00
PED. SIGNAL	12	25	300.00
CONTROLLER	1	100	100.00
ILLUM. SIGN	-	25	0.05
ILLUM. ST. NAME SIGN	8	24 FLOURESCENT	0.50
FLASHER	-	0.50	964.00
ENERGY COSTS TO:			TOTAL = 515.20

VILLAGE OF BOLINGBROOK
 375 BRIARCLIFF ROAD
 BOLINGBROOK, ILLINOIS 60440-0951
 ENERGY SUPPLY: CONTACT: DALE BOLLINGER
 PHONE: (815) 724-5717
 COMPANY: COMED

FOUNDATION (DEPTH)	FT. (m)	CABLE SLACK	FT. (m)	VERTICAL	FT. (m)
TYPE A - POST	4 (1.2)	HANDHOLE	6.5 (2.0)	ALL FOUNDATIONS	3.5 (1.0)
D - CONTROLLER	4 (1.2)	DOUBLE HANDHOLE	13 (4.0)	MAST ARM (L) POLE	20'+L-2'
E - M. ARM POLE		SIGNAL POST	2 (1.0)		(6m+L-0.6m)
		24" (600mm)	10 (3.0)	CONTROLLER CAB.	1 (0.5)
		30" (750mm)	15 (4.6)	FIBER OPTIC	13 (4.0)
		36" (900mm)	15 (4.6)	ELECTRIC SERVICE	1 (0.5)
				GROUND CABLE	1 (0.5)
				POST MOUNTED	6 (1.8)



CABLE PLAN LEGEND

EXISTING	PROPOSED	DESCRIPTION
(Symbol)	(Symbol)	8" (200mm) TRAFFIC SIGNAL SECTION
(Symbol)	(Symbol)	12" (300mm) TRAFFIC SIGNAL SECTION
(Symbol)	(Symbol)	12" (300mm) PEDESTRIAN SIGNAL SECTION
(Symbol)	(Symbol)	12" (300mm) PEDESTRIAN SIGNAL SECTION
(Symbol)	(Symbol)	CONTROLLER CABINET
(Symbol)	(Symbol)	SERVICE INSTALLATION
(Symbol)	(Symbol)	TELEPHONE INSTALLATION
(Symbol)	(Symbol)	VEHICLE DETECTOR, INDUCTION LOOP
(Symbol)	(Symbol)	MAGNETIC DETECTOR
(Symbol)	(Symbol)	EMERGENCY VEHICLE LIGHT DETECTOR
(Symbol)	(Symbol)	CONFIRMATION BEACON
(Symbol)	(Symbol)	PUSHBUTTON DETECTOR
(Symbol)	(Symbol)	DENOTES NUMBER OF CONDUCTORS.
(Symbol)	(Symbol)	ALL CABLE NO. 14 EXCEPT AS INDICATED.
(Symbol)	(Symbol)	ALL LOOP DETECTOR CABLE TO BE SHIELDED.
(Symbol)	(Symbol)	GROUND CABLE IN CONDUIT
(Symbol)	(Symbol)	NO. 6 SOLID COPPER (GREEN)
(Symbol)	(Symbol)	FIBER OPTIC CABLE IN CONDUIT
(Symbol)	(Symbol)	NO. 62.5/125 2-MM12F SM12F
(Symbol)	(Symbol)	SIGNAL FACE WITH BACKPLATE.
(Symbol)	(Symbol)	"P" INDICATES PROGRAMMED HEAD.
(Symbol)	(Symbol)	RAILROAD CONTROL CABINET
(Symbol)	(Symbol)	ILLUMINATED SIGN "NO LEFT TURN"
(Symbol)	(Symbol)	ILLUMINATED SIGN "NO RIGHT TURN"
(Symbol)	(Symbol)	GROUND ROD AT HANDHOLE (H), DOUBLE HANDHOLE (HH), OR CONTROLLER (C)
(Symbol)	(Symbol)	GROUND ROD AT POST (P) OR MAST ARM POLE (MA)
(Symbol)	(Symbol)	GROUND ROD AT ELECTRIC SERVICE INSTALLATION
(Symbol)	(Symbol)	ILLUMINATED STREET NAME SIGN
(Symbol)	(Symbol)	EMERGENCY VEHICLE SYSTEM ANTENNA
(Symbol)	(Symbol)	LUMINAIRE
(Symbol)	(Symbol)	COAXIAL CABLE
(Symbol)	(Symbol)	UNINTERRUPTIBLE POWER SUPPLY

CONSTRUCTION NOTE:
 (1) NO MODIFICATIONS REQUIRED.

FOR INFORMATION ONLY

REVISIONS

NAME	DATE

ILLINOIS DEPARTMENT OF TRANSPORTATION
SCHEDULE OF QUANTITIES, CABLE PLAN AND PHASE DESIGNATION DIAGRAM
 JANES AVENUE AND BLUESTEM DRIVE
 BOLINGBROOK, ILLINOIS
 SCALE: N.T.S.
 DATE: 4/7/2006
 DRAWN BY: FCP/FPB
 DESIGNED BY: MKW
 CHECKED BY: MJT

NOTE:
 THE TRAFFIC SIGNAL CONTROLLER EQUIPMENT FOR THIS PROJECT SHALL BE "ECONOLITE" TO MATCH THE EXISTING ADJACENT SYSTEM.

PROFILE SURVEYED, PLOTTED, CHECKED, AND NOTED BY: [Name]
 DATE: [Date]
 PLAN SURVEYED, PLOTTED, CHECKED, AND NOTED BY: [Name]
 DATE: [Date]
 CRIB ENGINEERING LTD.
 3575 West Higgins Road, Suite 600
 Rosemont, Illinois 60018
 (847) 823-0500