

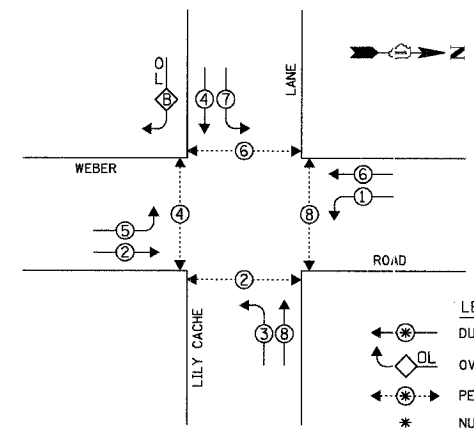
F.A.U. RTE.	SECTION	COUNTY	TOTAL SHEETS	SHEET NO.
3580	04-00043-00-TL	WILL	54	33
STA.		TO STA.		
FED. ROAD DIST. NO.		ILLINOIS FED. AID PROJECT		
CONTRACT NO.: 83855				

SCHEDULE OF QUANTITIES		UNIT	TOTAL
MAINTENANCE OF EXISTING TRAFFIC SIGNAL INSTALLATION	ITEM	EACH	1

CABLE PLAN LEGEND

	EXISTING		PROPOSED	8" (200mm) TRAFFIC SIGNAL SECTION
	EXISTING		PROPOSED	12" (300mm) TRAFFIC SIGNAL SECTION
	EXISTING		PROPOSED	12" (300mm) PEDESTRIAN SIGNAL SECTION
	EXISTING		PROPOSED	CONTROLLER CABINET
	EXISTING		PROPOSED	SERVICE INSTALLATION
	EXISTING		PROPOSED	TELEPHONE INSTALLATION
	EXISTING		PROPOSED	VEHICLE DETECTOR, INDUCTION LOOP
	EXISTING		PROPOSED	MAGNETIC DETECTOR
	EXISTING		PROPOSED	EMERGENCY VEHICLE LIGHT DETECTOR
	EXISTING		PROPOSED	CONFIRMATION BEACON
	EXISTING		PROPOSED	PUSHBUTTON DETECTOR
	EXISTING		PROPOSED	DENOTES NUMBER OF CONDUCTORS, ALL CABLE NO. 14 EXCEPT AS INDICATED.
	EXISTING		PROPOSED	ALL LOOP DETECTOR CABLE TO BE SHIELDED.
	EXISTING		PROPOSED	GROUND ROD IN CONDUIT NO. 6 SOLID COPPER (GREEN)
	EXISTING		PROPOSED	FIBER OPTIC CABLE IN CONDUIT NO. 62.5/125 2-MM12F SM12F
	EXISTING		PROPOSED	SIGNAL FACE WITH BACKPLATE. "P" INDICATES PROGRAMMED HEAD.
	EXISTING		PROPOSED	RAILROAD CONTROL CABINET
	EXISTING		PROPOSED	ILLUMINATED SIGN "NO LEFT TURN"
	EXISTING		PROPOSED	ILLUMINATED SIGN "NO RIGHT TURN"
	EXISTING		PROPOSED	GROUND ROD AT HANDHOLE (H), DOUBLE HANDHOLE (HH), OR CONTROLLER (C)
	EXISTING		PROPOSED	GROUND ROD AT POST (P) OR MAST ARM POLE (MA)
	EXISTING		PROPOSED	GROUND ROD AT ELECTRIC SERVICE INSTALLATION
	EXISTING		PROPOSED	ILLUMINATED STREET NAME SIGN
	EXISTING		PROPOSED	EMERGENCY VEHICLE SYSTEM ANTENNA
	EXISTING		PROPOSED	LUMINAIRE
	EXISTING		PROPOSED	COAXIAL CABLE
	EXISTING		PROPOSED	UNINTERRUPTIBLE POWER SUPPLY

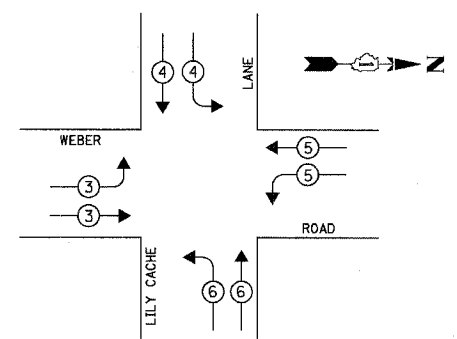
PROPOSED CONTROLLER SEQUENCE



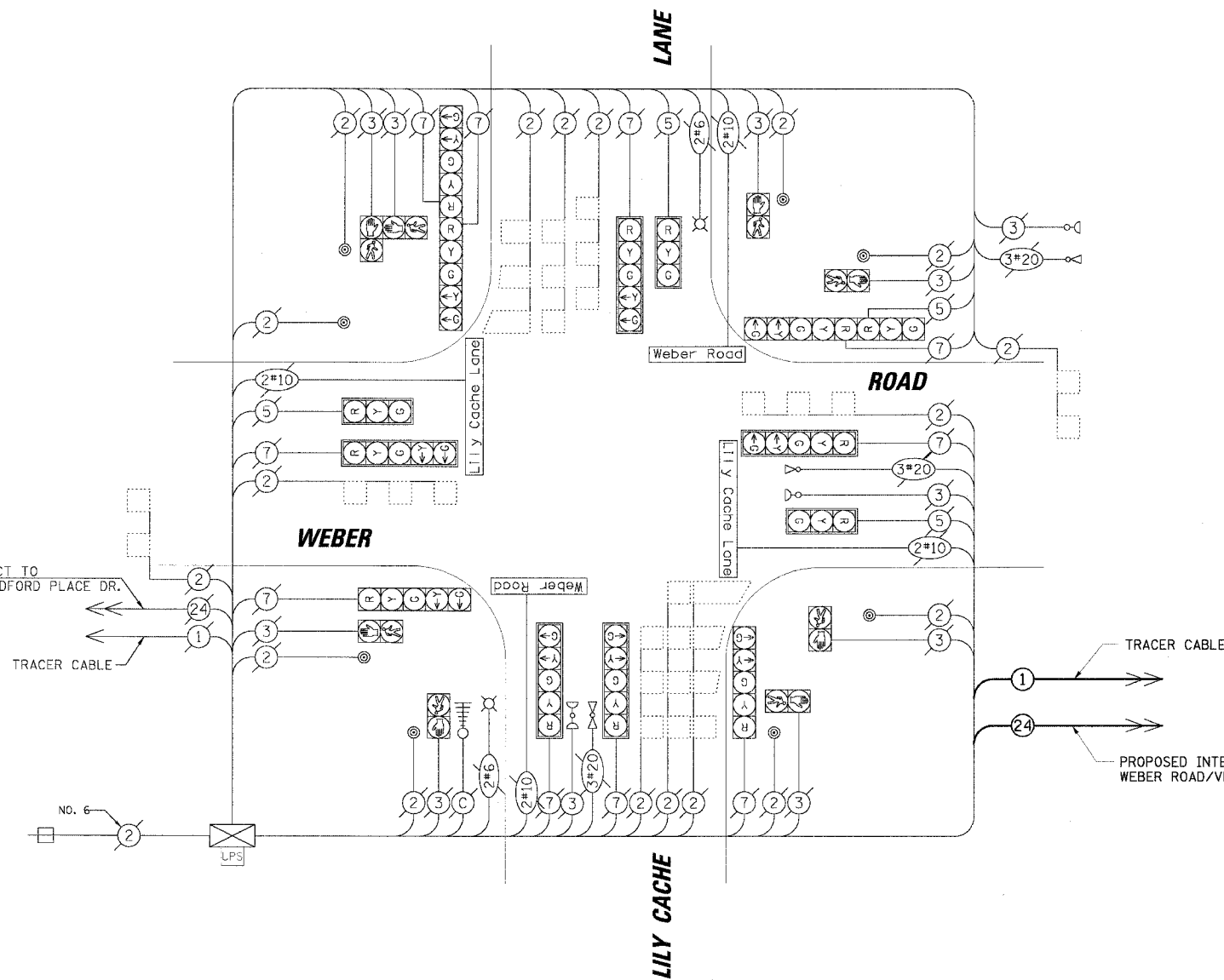
RIGHT TURN OVERLAP PHASE DESIGNATION

OVERLAP LETTER	PERMISSIVE PHASE	PROTECTED PHASE
B	4	5

PROPOSED EMERGENCY VEHICLE PREEMPTION SEQUENCE



PROPOSED EMERGENCY VEHICLE PREEMPTORS				
EMERGENCY VEHICLE PREEMPTOR	3	4	5	6
MOVEMENT				



I.D.O.T. TRAFFIC SIGNAL INSTALLATION ELECTRICAL SERVICE REQUIREMENTS					TOTAL WATTAGE
TYPE	NO. OF LAMPS	WATTAGE INCAND.	LED x % OPERATION		
SIGNAL (RED)	14		17	0.50	119.00
(YELLOW)	14		25	0.25	87.50
(GREEN)	14		15	0.25	52.50
ARROW	20		12	0.10	24.00
PED. SIGNAL	8		25	1.00	200.00
CONTROLLER	1		100	1.00	100.00
ILLUM. SIGN			25	0.05	
ILLUM. ST NAME SIGN	4		60	0.50	
LUMINAIRE	2	250		0.50	120.00
FLASHER				0.50	250.00
ENERGY COSTS TO:					TOTAL = 953.00

FOUNDATION (DEPTH)	FT.	(m)	CABLE SLACK	FT.	(m)	VERTICAL	FT.	(m)
TYPE A - POST	4	(1.2)	HANDHOLE	6.5	(2.0)	ALL FOUNDATIONS	3.5	(1.0)
D - CONTROLLER	4	(1.2)	DOUBLE HANDHOLE	13	(4.0)	MAST ARM (L) POLE	20'+L-2'	
E - M. ARM POLE			SIGNAL POST	2	(1.0)		(6m+L-0.6m)	
			24" (600mm)	10	(3.0)	CONTROLLER CAB.	1	(0.5)
			30" (750mm)	15	(4.6)	FIBER OPTIC	13	(4.0)
			36" (900mm)	15	(4.6)	ELECTRIC SERVICE	1	(0.5)
						GROUND CABLE	1	(0.5)
						SERVICE TO GROUND	13.5	(4.1)
						POST MOUNTED	6	(1.8)

NOTE: THE TRAFFIC SIGNAL CONTROLLER EQUIPMENT FOR THIS PROJECT SHALL BE "ECONOLITE" TO MATCH THE EXISTING ADJACENT SYSTEM.

CONSTRUCTION NOTE:
 ① FIBER OPTIC CABLE FROM WEBER ROAD AND VETERANS PARKWAY TO BE TERMINATED IN SPLICE BOX BUT NOT CONNECTED TO THIS INTERSECTION.

REVISIONS	
NAME	DATE

ILLINOIS DEPARTMENT OF TRANSPORTATION
SCHEDULE OF QUANTITIES, CABLE PLAN AND PHASE DESIGNATION DIAGRAM
 WEBER ROAD AND LILY CACHE LANE
 BOLINGBROOK, ILLINOIS
 SCALE: N.T.S.
 DATE: 4/7/2006
 DRAWN BY: FCP/FPB
 DESIGNED BY: MKW
 CHECKED BY: MJT

CHRISTOPHER B. BURKE ENGINEERING LTD.
 5575 West Higgins Road, Suite 600
 Rosemont, Illinois 60018
 (847) 823-0500
 DATE: _____ BY: _____
 SURVEYED: _____ PLOTTED: _____
 CHECKED: _____ DATE: _____
 NOTE BOOK NO.: _____
 STRUCTURE NO.: _____
 FILE NAME: _____