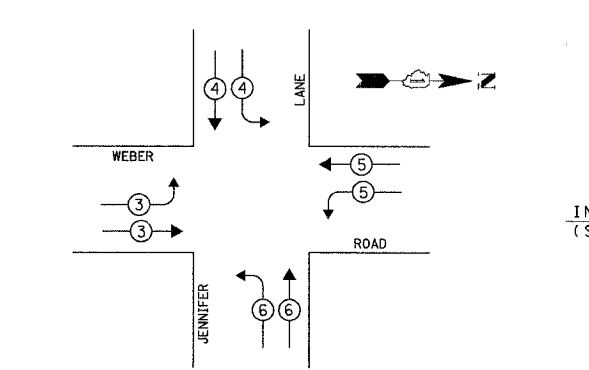
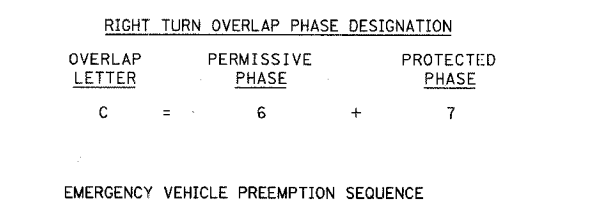
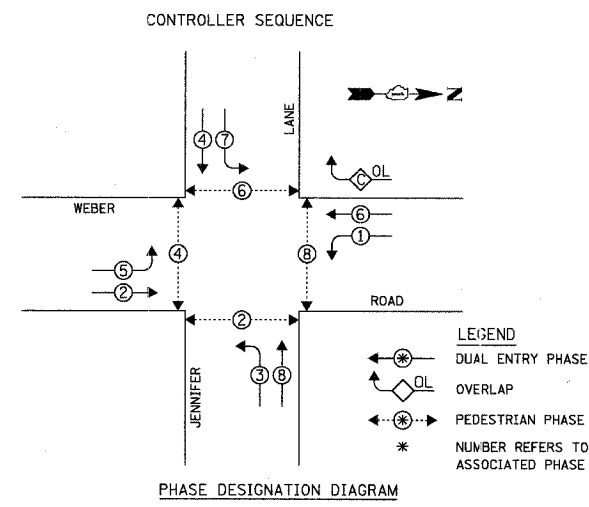


F.A.U. RT#	SECTION	COUNTY	TOTAL SHEETS	SHEET NO.
3580	04-00043-00-TL	WILL	54	36
STA.	TO STA.			
FED. ROAD DIST. NO.	ILLINOIS	FED. AID PROJECT		
CONTRACT NO.: 83855				

THE FOLLOWING EXISTING TRAFFIC SIGNAL EQUIPMENT SHALL BE REMOVED BY THE CONTRACTOR, SHALL REMAIN THE PROPERTY OF THE OF THE VILLAGE OF BOLINGBROOK, AND SHALL BE DELIVERED BY THE CONTRACTOR TO THE VILLAGE YARD AS PER THE TRAFFIC SIGNAL SPECIFICATIONS.

- 1 EACH CONTROLLER AND CABINET (COMPLETE)

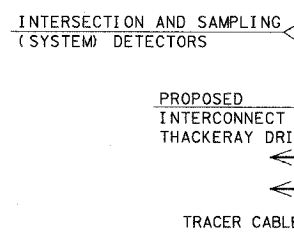
SCHEDULE OF QUANTITIES		
ITEM	UNIT	TOTAL
FULL-ACTUATED CONTROLLER AND TYPE V CABINET, SPECIAL	EACH	1
MAINTENANCE OF EXISTING TRAFFIC SIGNAL INSTALLATION	EACH	1
TRANSCEIVER - FIBER OPTIC	EACH	1
INDUCTIVE LOOP DETECTOR	EACH	9
RELOCATE EXISTING EMERGENCY VEHICLE PRIORITY SYSTEM, PHASING UNIT	EACH	1
REMOVE EXISTING TRAFFIC SIGNAL EQUIPMENT	EACH	1
RELOCATE EXISTING UPS BATTERY BACK-UP SYSTEM	EACH	1



PROPOSED EMERGENCY VEHICLE PREEMPTORS				
EMERGENCY VEHICLE PREEMPTOR	3	4	5	6
MOVEMENT	→	↓	←	↑

I.D.O.T. TRAFFIC SIGNAL INSTALLATION ELECTRICAL SERVICE REQUIREMENTS				TOTAL WATTAGE
TYPE	NO. OF LAMPS	WATTAGE (INCAND.)	LED x % OPERATION	
SIGNAL (RED)		135	17	0.50
(YELLOW)		135	25	0.25
(GREEN)		135	15	0.25
ARROW		135	12	0.10
PED. SIGNAL		90	25	1.00
CONTROLLER		100	100	1.00
ILLUM. SIGN		252	25	0.05
FLASHER				0.50
ENERGY COSTS TO:				TOTAL =

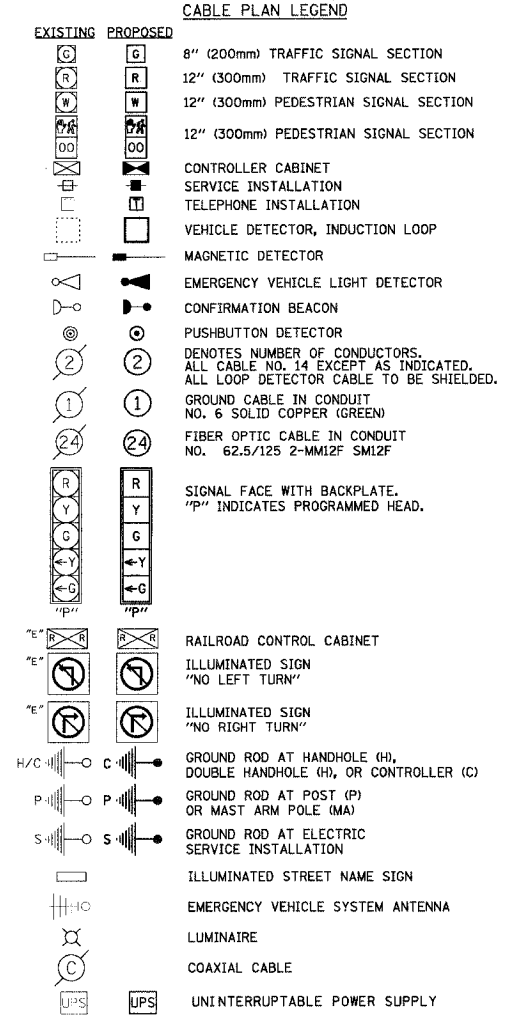
VILLAGE OF BOLINGBROOK  
 375 BRIARCLIFF ROAD  
 BOLINGBROOK, ILLINOIS 60440-0951  
 ENERGY SUPPLY: CONTACT: DALE BOLLINGER  
 PHONE: (815) 724-5717  
 COMPANY: COMED



NOTE: PUSHBUTTON "C" SHALL PLACE A CALL IN PHASES 6 AND 8.

FOUNDATION (DEPTH)	FT. (m)	CABLE SLACK	FT. (m)	VERTICAL	FT. (m)
TYPE A - POST	4 (1.2)	HANDHOLE	6.5 (2.0)	ALL FOUNDATIONS	3.5 (1.0)
D - CONTROLLER	4 (1.2)	DOUBLE HANDHOLE	13 (4.0)	MAST ARM (L) POLE	20'+L-2=
E - M. ARM POLE		SIGNAL POST	2 (1.0)		(6m+L-0.6m)=
24" (600mm)	10 (3.0)	CONTROLLER CAB.	1 (0.5)	BRACKET MOUNTED	13 (4.0)
30" (750mm)	15 (4.6)	FIBER OPTIC	13 (4.0)	PED. PUSHBUTTON	4 (1.2)
36" (900mm)	15 (4.6)	ELECTRIC SERVICE	1 (0.5)	ELECTRIC SERVICE	13.5 (4.1)
		GROUND CABLE	1 (0.5)	SERVICE TO GROUND	13.5 (4.1)
				POST MOUNTED	6 (1.8)

NOTE: THE TRAFFIC SIGNAL CONTROLLER EQUIPMENT FOR THIS PROJECT SHALL BE "ECONOLITE" TO MATCH THE EXISTING ADJACENT SYSTEM.



- CONSTRUCTION NOTES:
- ① REMOVE EXISTING CABINET AND CONTROLLER. INSTALL NEW CONTROLLER AND TYPE V CABINET ON EXISTING FOUNDATION, AND FIBER OPTIC TRANSCEIVER.
  - ② RELOCATE EXISTING EVP AND UPS UNITS.

REVISIONS	
NAME	DATE

ILLINOIS DEPARTMENT OF TRANSPORTATION  
**SCHEDULE OF QUANTITIES, CABLE PLAN AND PHASE DESIGNATION DIAGRAM**  
 WEBER ROAD AND JENNIFER LANE  
 BOLINGBROOK, ILLINOIS  
 SCALE: N.T.S. DATE: 4/7/2006  
 DRAWN BY: FCP/FPB  
 DESIGNED BY: MKW  
 CHECKED BY: MJT

BY: DATE: CHRISTOPHER B. BURKE ENGINEERING L.L.C. 375 BRIARCLIFF ROAD, SUITE 600 BOLINGBROOK, ILLINOIS 60440-0951 (815) 724-5717  
 CHECKED: DATE: 4/7/2006  
 DESIGNED: DATE: 4/7/2006  
 DRAWN: DATE: 4/7/2006  
 PROJECT NO.: 055599-TRAFFIC-CAB-Weber-Jennif.dgn