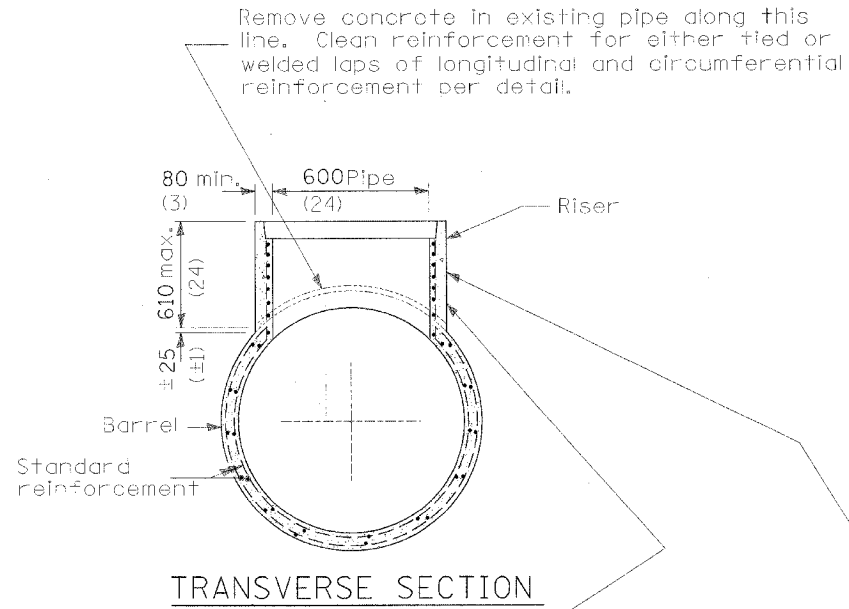
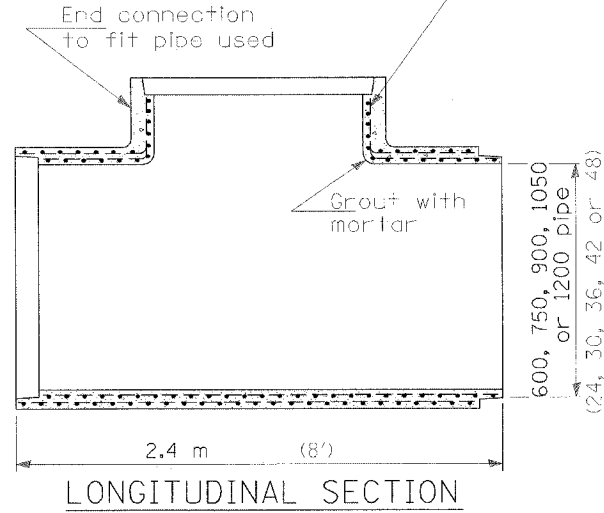
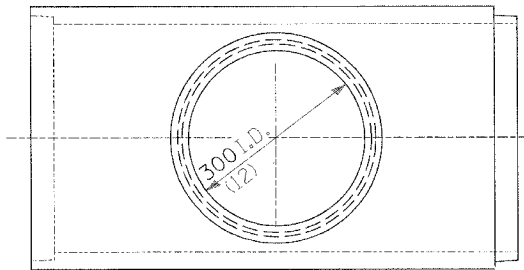


F.A.P. RTE.	SECTION	COUNTY	TOTAL SHEETS	SHEET NO.
669	11W-3,RS-8,*	TAZEWELL	442	228
STA.		TO STA.		
FED. ROAD DIST. NO.		ILLINOIS FED. AID PROJECT		
• 11BR-1, 11BR-2				

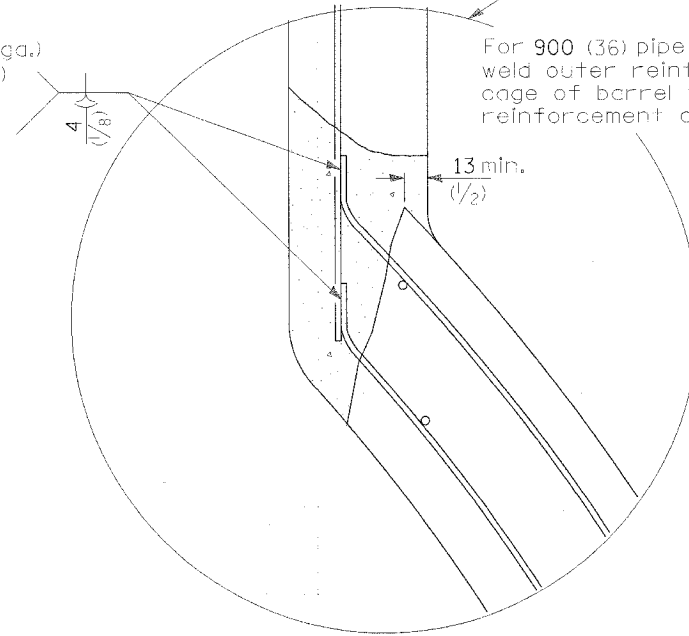
Inner Cage circumferential reinforcement = 212 mm<sup>2</sup>/m (0.10 sq. in./ft.) (min.), longitudinal reinforcement = 104 mm<sup>2</sup>/m (0.049 sq. in./ft.) (min.) spaced at 150 (6) cts. max. or equivalent to 4.496 mm (7 ga.) spaced at 150 (6) cts.



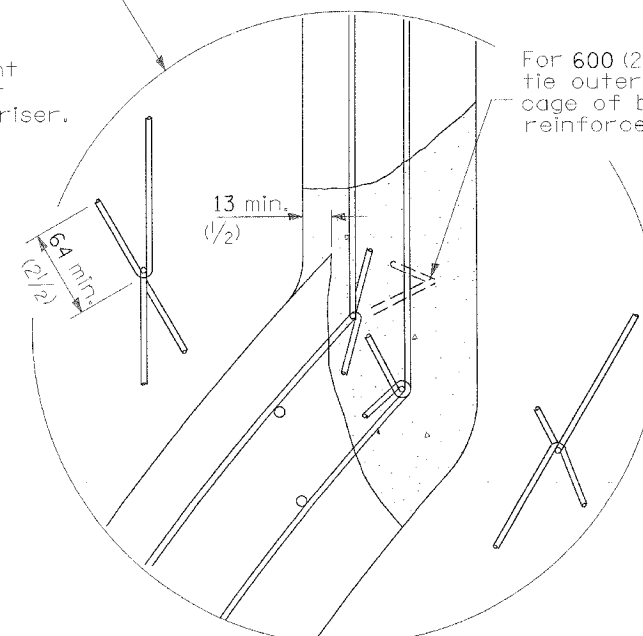
Weld 20 (3/4) min. for wire 10,008 thru 7,188 (0000 thru 1 ga.)  
 Weld 10 (3/8) min. for wire 7,188 thru 4,496 (2 thru 7 ga.)  
 (other wires shall be tied per detail.)



PLAN  
Tee with 300 (12) Riser



Welded Lap



Tied Lap

All dimensions are in millimeters (inches) unless otherwise shown.

REVISIONS	
NAME	DATE

ILLINOIS DEPARTMENT OF TRANSPORTATION

**REINFORCED CONCRETE  
PIPE TEE**

SCALE: VERT.  
HORIZ.  
DATE

DRAWN BY  
CHECKED BY