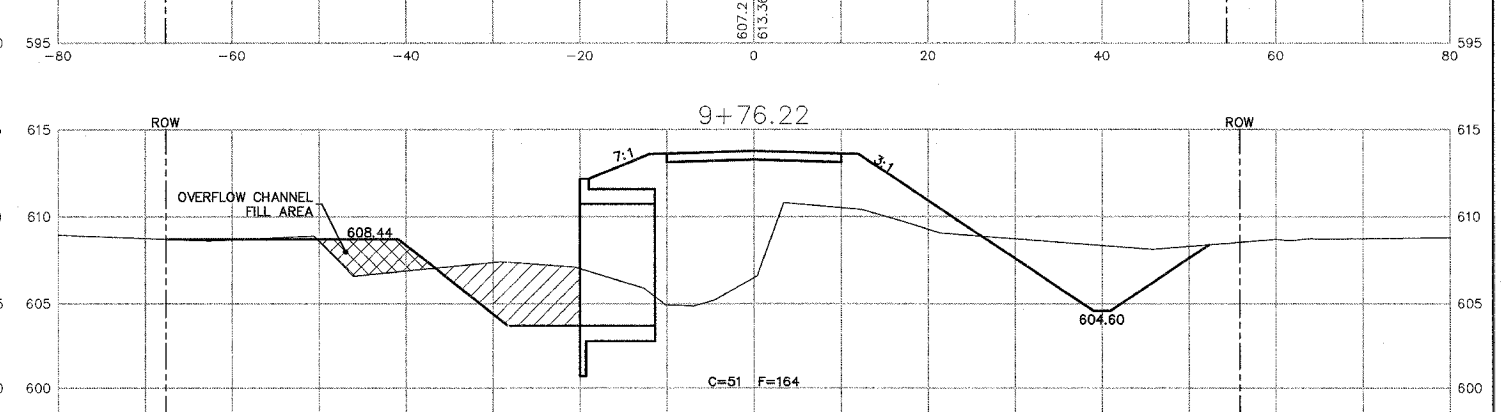
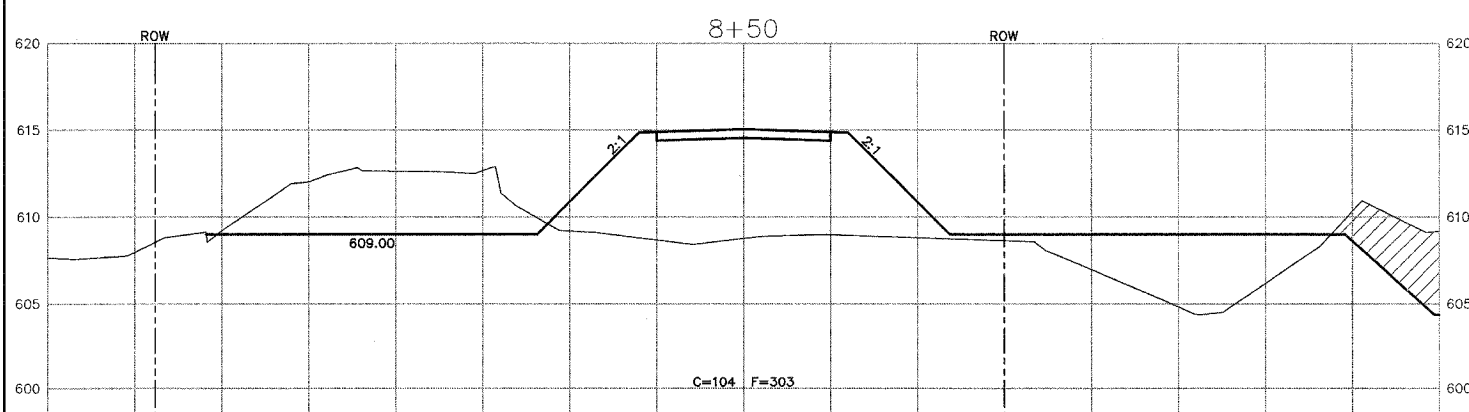
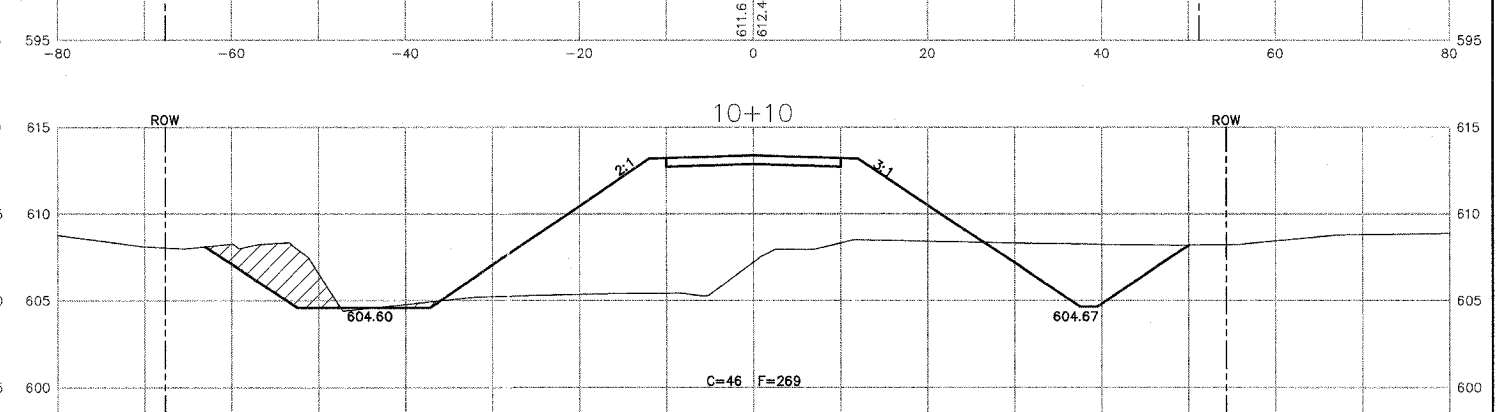
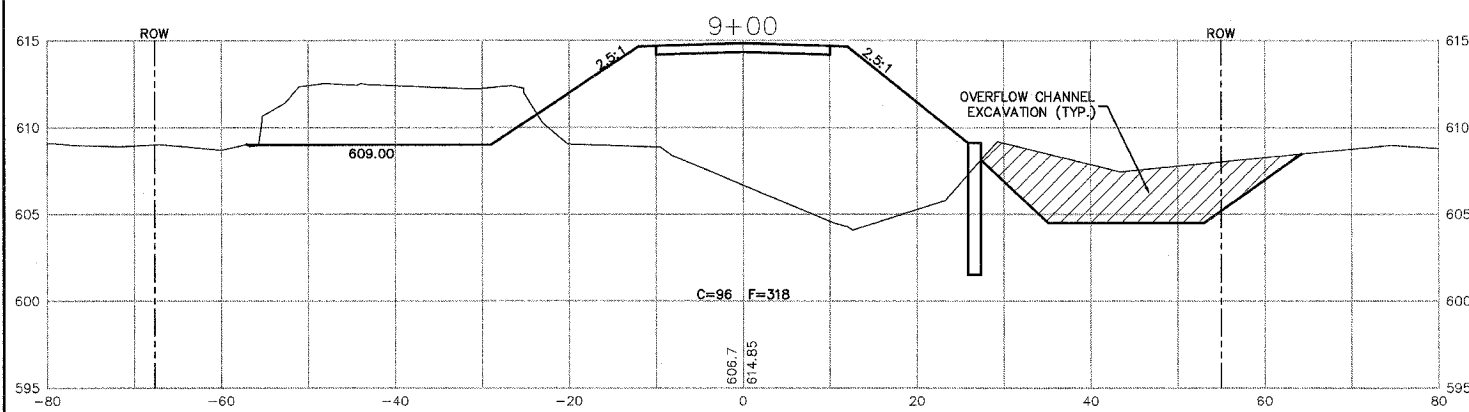
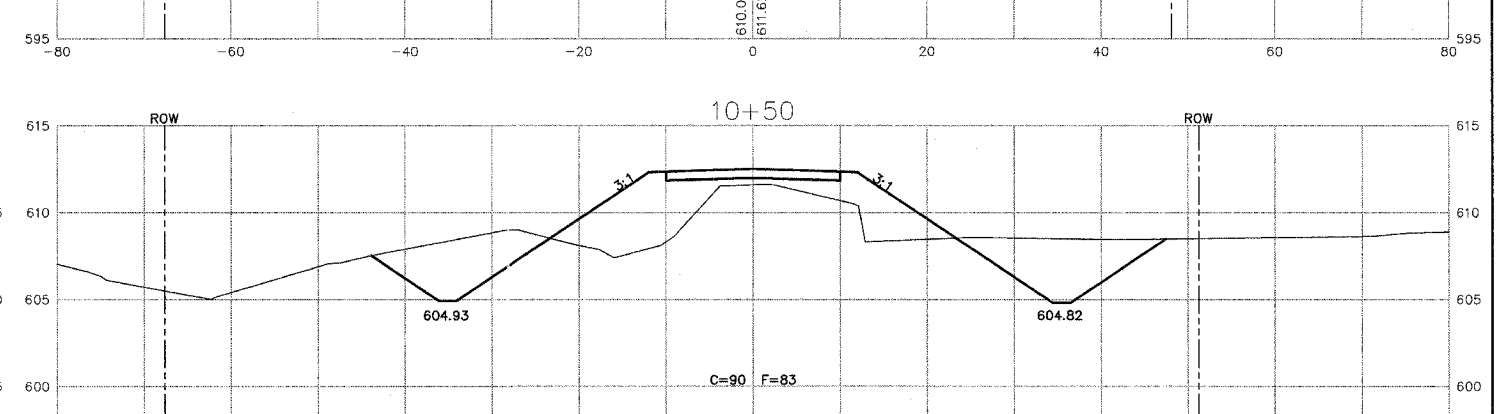
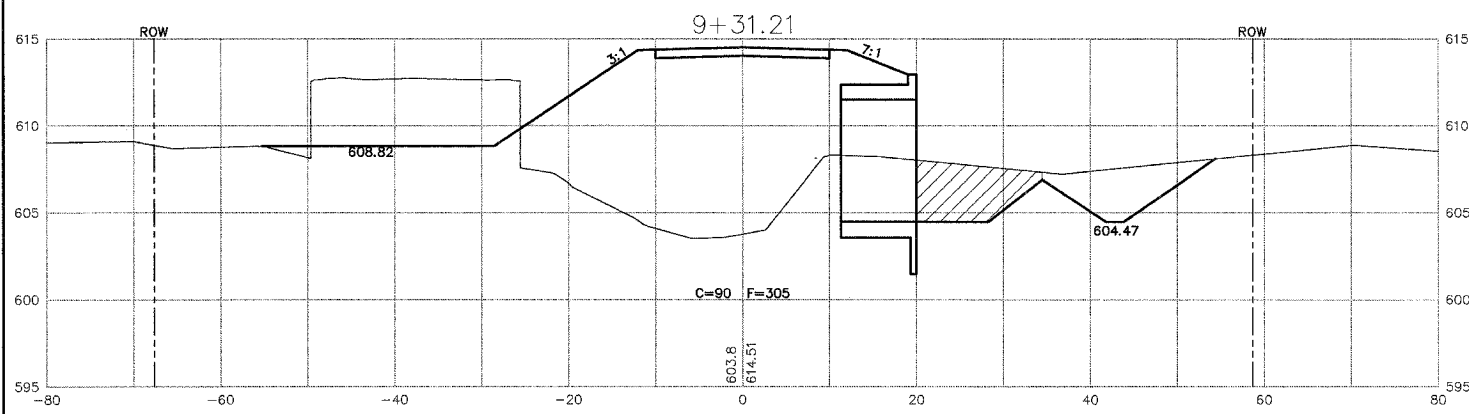
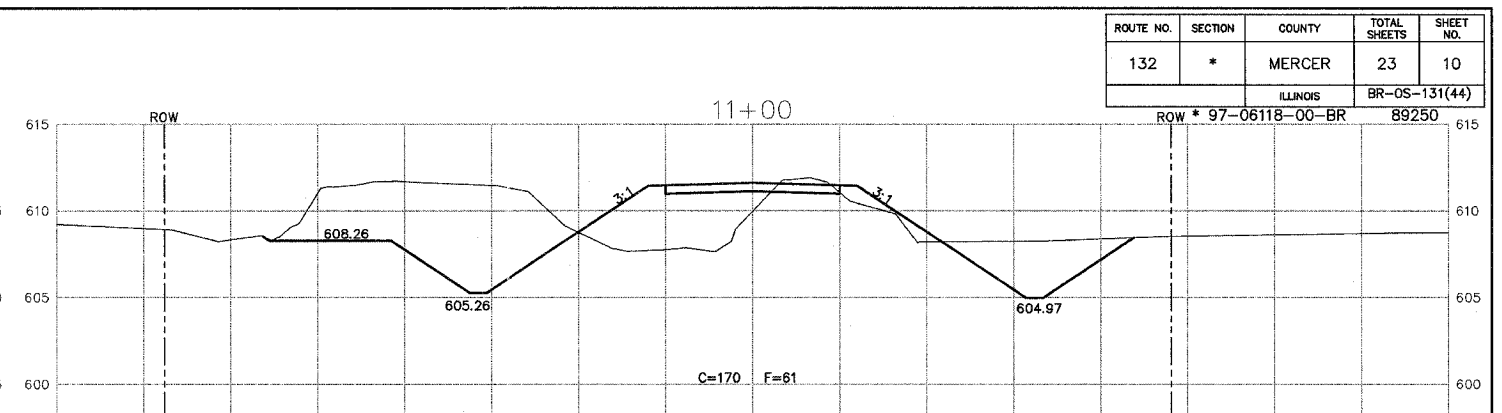
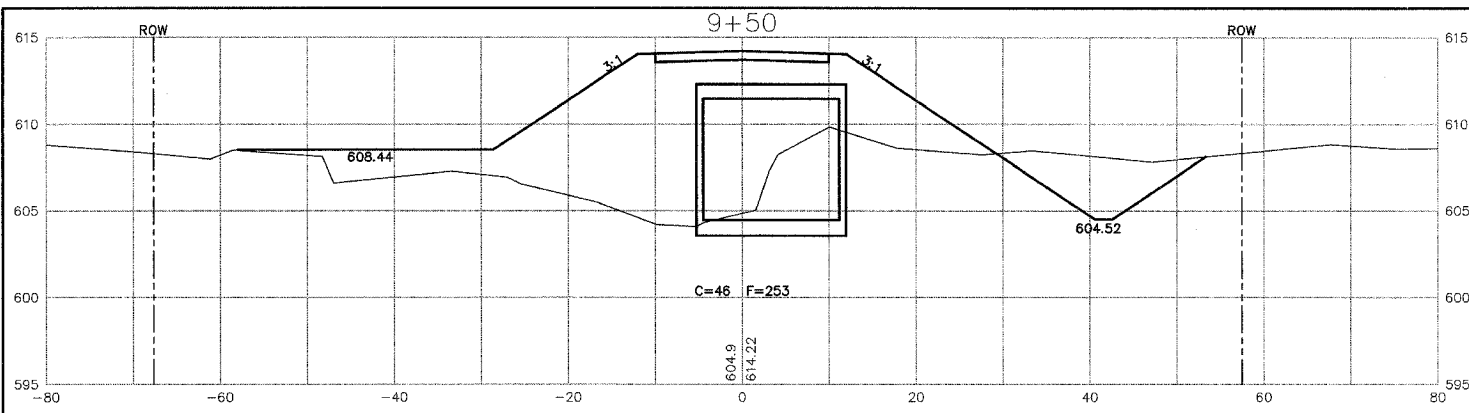


ROUTE NO.	SECTION	COUNTY	TOTAL SHEETS	SHEET NO.
132	*	MERCER	23	10
ILLINOIS			BR-OS-131(44)	
ROW * 97-06118-00-BR				89250



ROADWAY CROSS SECTIONS
SECTION 97-06118-00-BR
T.R. 132, STA. 7+74.00
MERCER COUNTY

G:\Structure\132\132\132.dwg 4/11/2006 2:32:52 PM