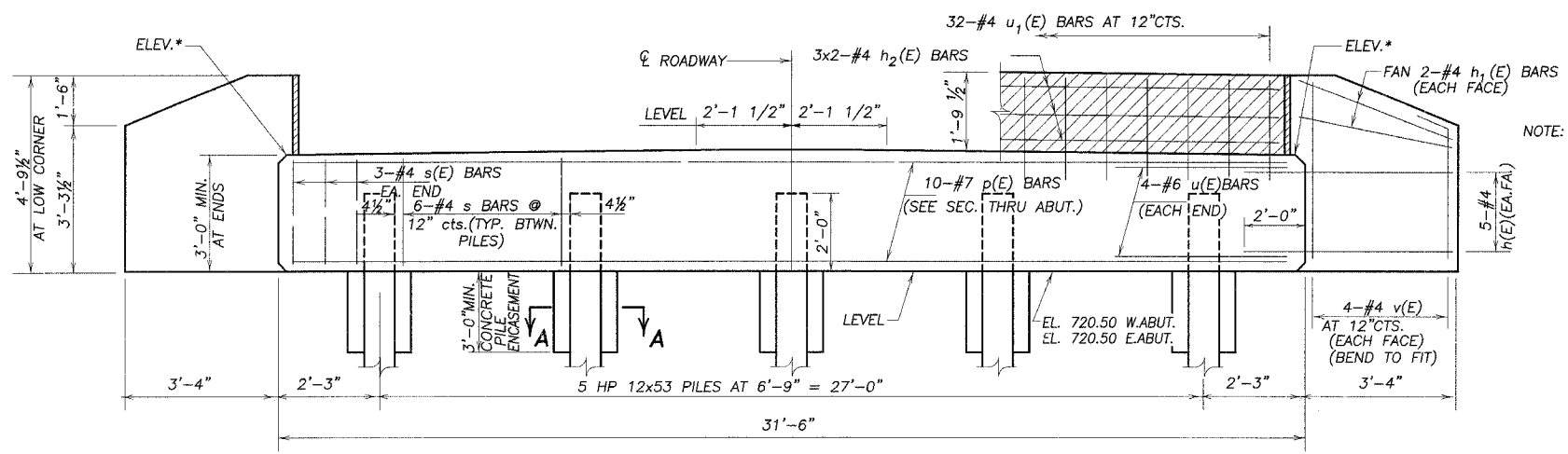
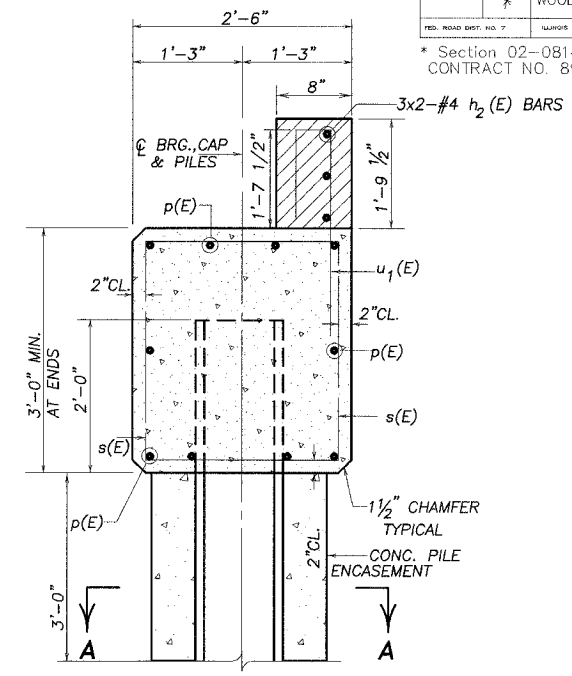


* Section 02-08143-00-BR
CONTRACT NO. 89390

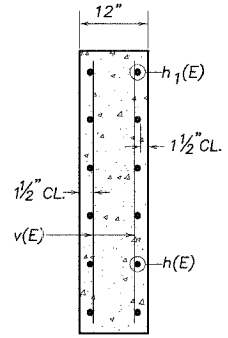


ELEVATION-ABUTMENTS
* FOR CAP ELEVATIONS SEE TABLE BELOW

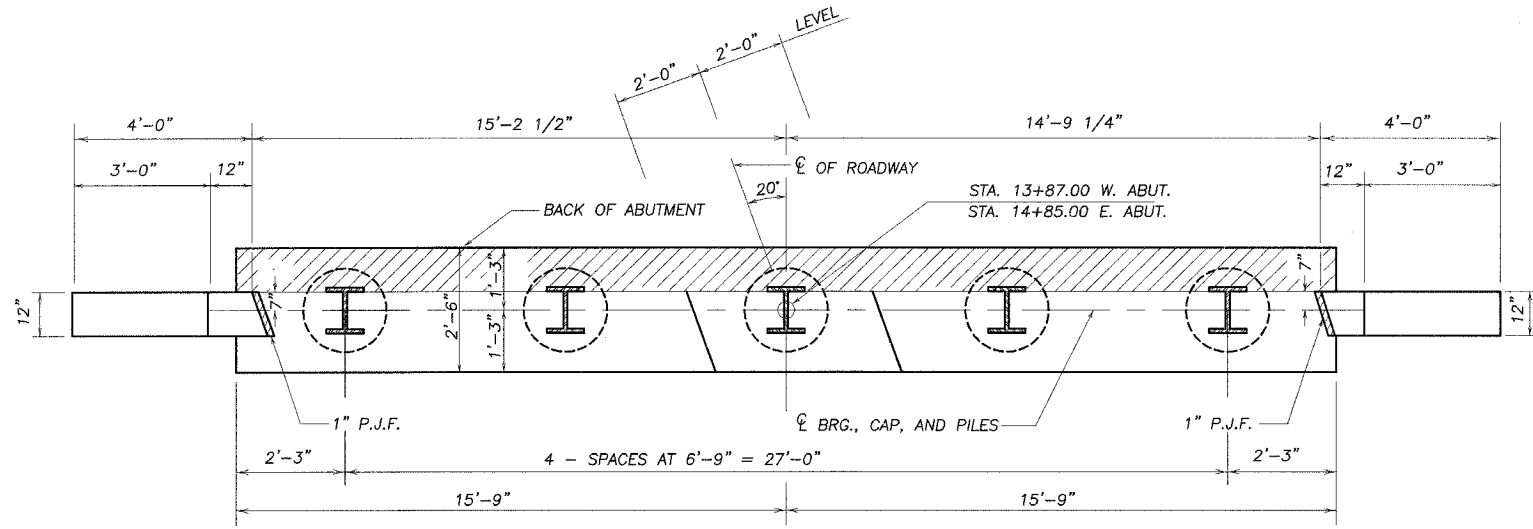
NOTE: WINGWALLS ABOVE TOP OF CAP SHALL NOT BE POURED UNTIL THE DECK BEAMS ARE IN PLACE AND DOWELS SET.
HATCHED AREAS TO BE POURED AFTER DECK IS IN PLACE.
P.J.F. SHALL BE ATTACHED TO THE CONCRETE WITH AN APPROVED ADHESIVE OR CAST WITH CONCRETE NAILS EXTENDING INTO THE NEW CONCRETE.



SEC. THRU ABUT.



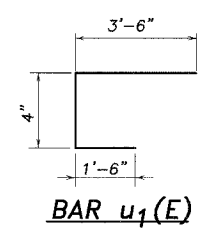
SECTION THRU WINGWALL



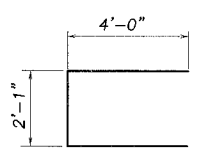
PLAN-ABUTMENTS

MIN. BAR LAP

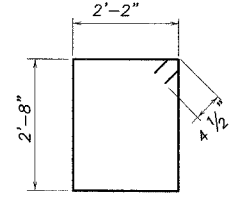
| | |
|----|-------|
| #4 | 2'-0" |
| #6 | 2'-7" |
| #7 | 4'-4" |



BAR u1(E)



BAR s(E)

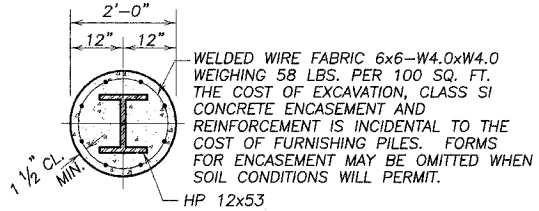


BAR u(E)

BILL OF MATERIAL - 2 ABUTMENTS

| BAR | NO. | SIZE | LENGTH | SHAPE |
|--------------------------------|-----|------|---------|-------|
| h(E) | 40 | #4 | 5'-2" | — |
| h1(E) | 16 | #4 | 3'-8" | — |
| h2(E) | 12 | #4 | 16'-8" | — |
| p(E) | 20 | #7 | 31'-2" | — |
| s(E) | 60 | #4 | 10'-5" | □ |
| u(E) | 16 | #6 | 10'-1" | □ |
| u1(E) | 64 | #4 | 5'-4" | □ |
| v(E) | 32 | #4 | 4'-7" | — |
| CONCRETE STRUCTURES | | | cu. yd. | 23.2 |
| REINFORCEMENT BARS, EPOXY CTD. | | | pound | 2570 |
| FURNISHING STEEL PILES HP12x53 | | | ft | 468 |
| DRIVING STEEL PILES | | | ft | 468 |
| TEST PILE STEEL, HP12x53 | | | EACH | 1 |

6x2 INDICATES 6 LINES OF BARS WITH 2 LENGTHS PER LINE
BARS DESIGNATED (E) SHALL BE EPOXY COATED.

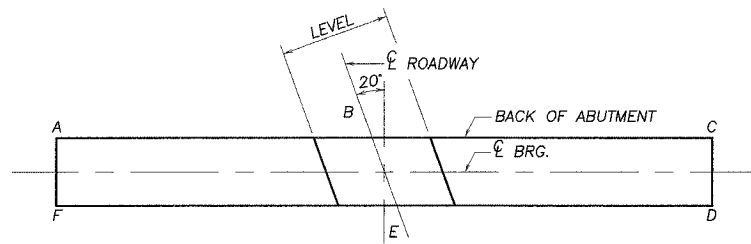


SECTION A-A
CONCRETE PILE ENCASEMENT

PILE DATA-ABUTMENTS

| | |
|--------------|-----------------------------|
| TYPE | STEEL HP 12x53 PILES |
| CAPACITY | REFUSAL |
| NO. REQUIRED | 9+1 TEST PILE AT WEST ABUT. |
| EST. LENGTH | 52 ft |

PILING QUANTITY INCLUDES 9 PILES AT 52 FEET
PILING LENGTH FOR TEST PILE PAID FOR WITH TEST PILE
MINIMUM 15 ft PENETRATION BELOW STREAMBED ELEVATION
SEE SPECIFICATIONS FOR BORING LOG DATA



| LOCATION | ELEV. | A | B | C | D | E | F |
|------------|-------|--------|--------|--------|--------|--------|--------|
| WEST ABUT. | | 723.02 | 723.21 | 723.00 | 723.02 | 723.21 | 723.00 |
| EAST ABUT. | | 723.02 | 723.21 | 723.00 | 723.02 | 723.21 | 723.00 |

ELEVATION TOP OF ABUTMENTS

SUBSTRUCTURE - ABUTMENTS
SECTION 02-08143-00-BR
METAMORA ROAD DISTRICT
WOODFORD COUNTY