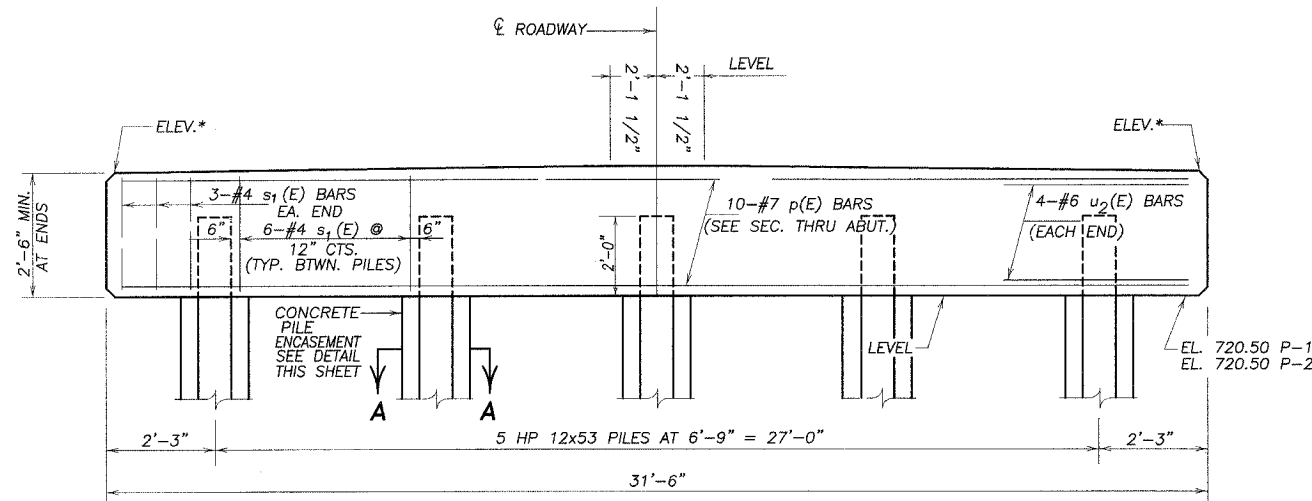
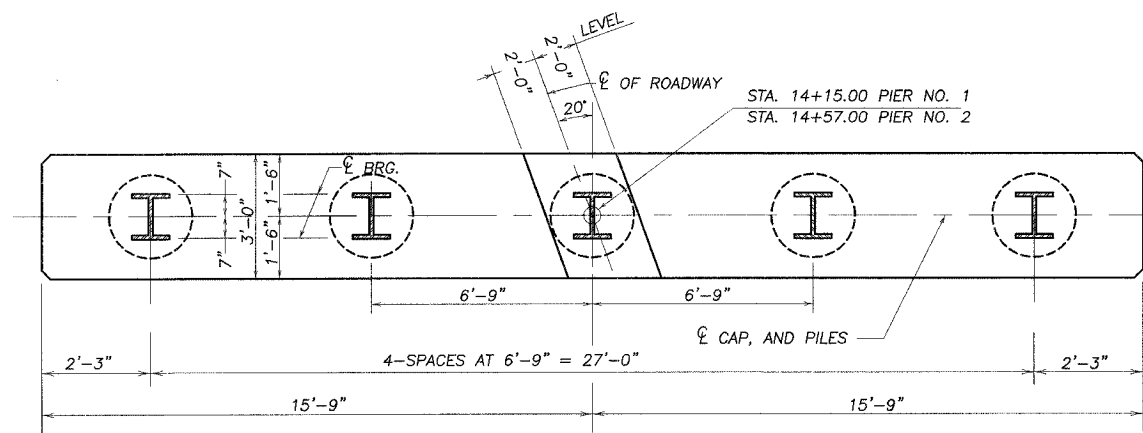


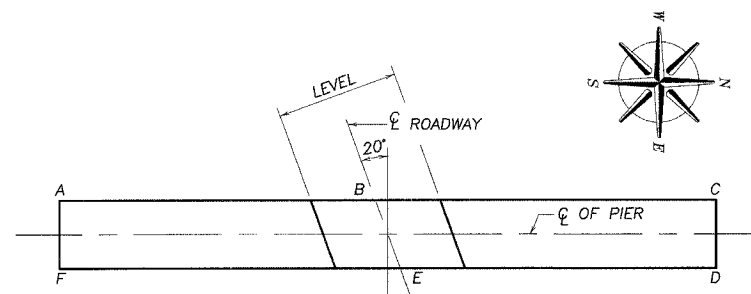
\* Section 02-08143-00-BR  
CONTRACT NO. 89390



**ELEVATION-PIERS**  
\* FOR CAP ELEVATIONS SEE TABLE BELOW

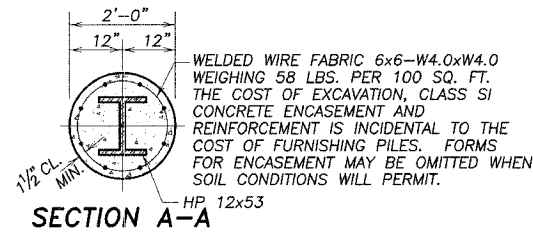
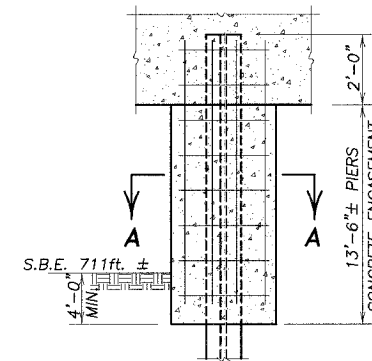


**PLAN-PIERS**



LOCATION	ELEV.	A	B	C	D	E	F
PIER NO. 1		723.02	723.21	723.00	723.02	723.21	723.00
PIER NO. 2		723.02	723.21	723.00	723.02	723.21	723.00

**ELEVATION TOP OF PIERS**

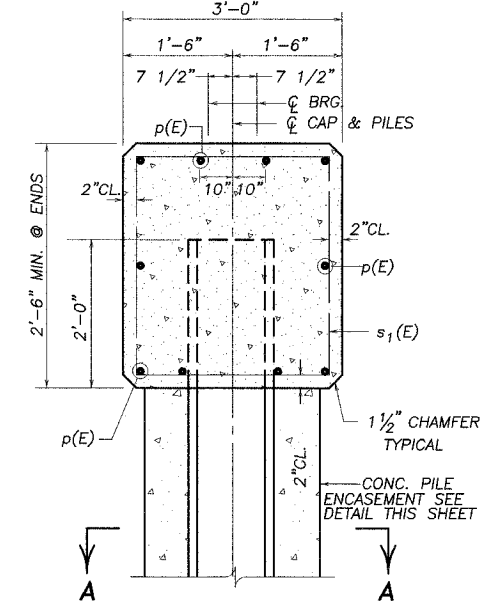


**CONCRETE PILE ENCASEMENT**

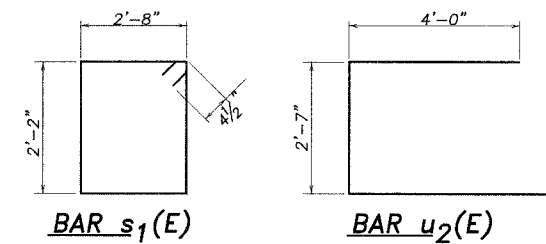
**PILE DATA-PIERS**

TYPE	STEEL HP 12x53 PILES
CAPACITY	REFUSAL
NO. REQUIRED	9+1 Test Pile @ Pier 2
EST. LENGTH	52'

PILING QUANTITY INCLUDES 9 PILES AT 52 FEET  
PILING LENGTH FOR TEST PILE PAID FOR WITH TEST PILE  
MINIMUM 15 ft PENETRATION BELOW STREAMBED ELEVATION  
SEE SPECIFICATIONS FOR BORING LOG DATA



**SEC. THRU PIERS**



**BAR s1(E)**

**BAR u2(E)**

**BILL OF MATERIAL - 2 PIERS**

BAR	NO.	SIZE	LENGTH	SHAPE
p(E)	20	#7	31'-2"	—
s1(E)	60	#4	10'-5"	□
u2(E)	16	#6	10'-7"	□
CONCRETE STRUCTURES			CU. YD.	18.3
REINFORCEMENT BARS, EPOXY CTD.			POUNDS	1950
FURNISHING STEEL PILES HP 12x53			FT	468
DRIVING STEEL PILES			FT	468
TEST PILE STEEL HP 12x53			EACH	1

BARS DESIGNATED (E) SHALL BE EPOXY COATED.

**SUBSTRUCTURE - PIERS**  
**SECTION 02-08143-00-BR**  
**METAMORA ROAD DISTRICT**  
**WOODFORD COUNTY**