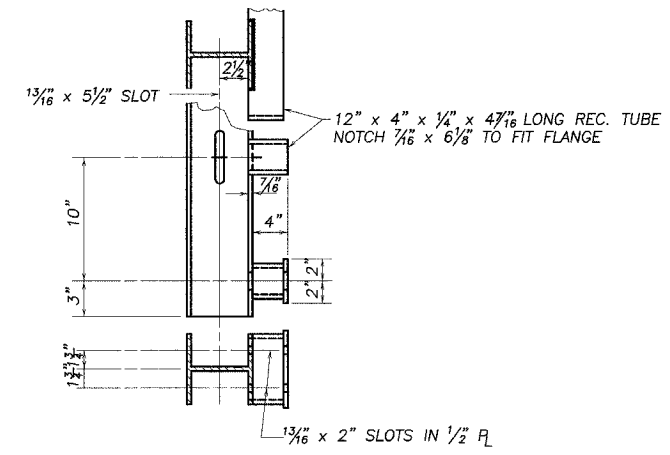
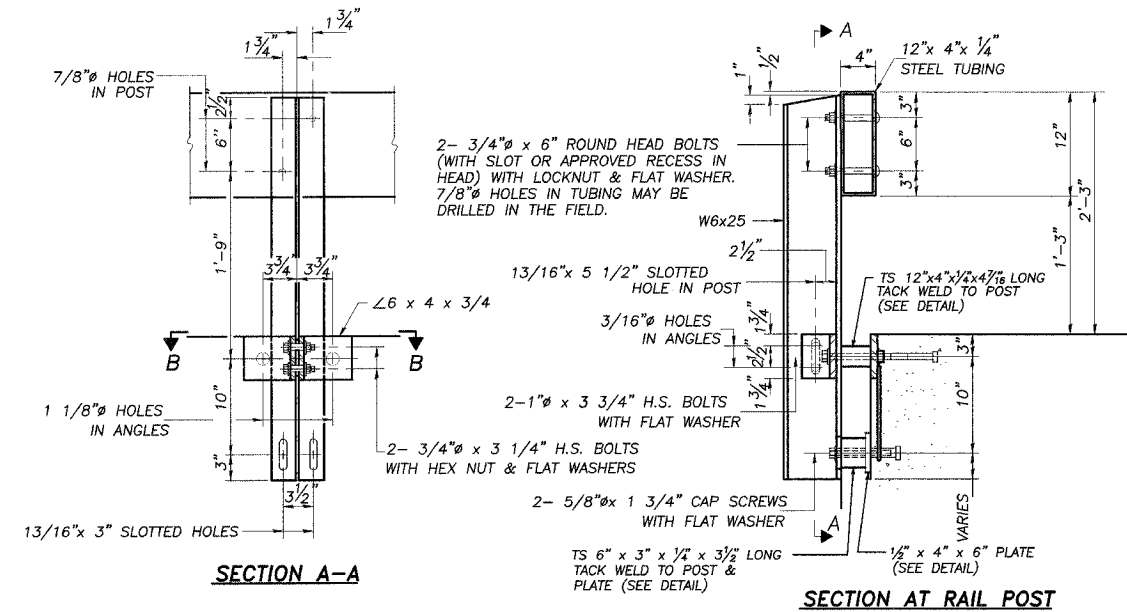


* Section 02-08143-00-BR
CONTRACT NO. 89390

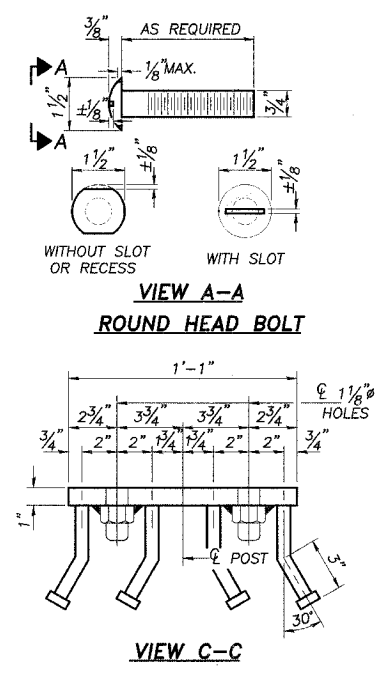


SPACER DETAIL



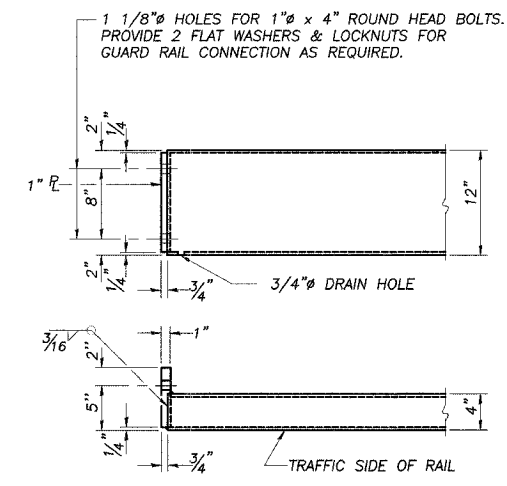
SECTION A-A

SECTION AT RAIL POST



**VIEW A-A
ROUND HEAD BOLT**

VIEW C-C

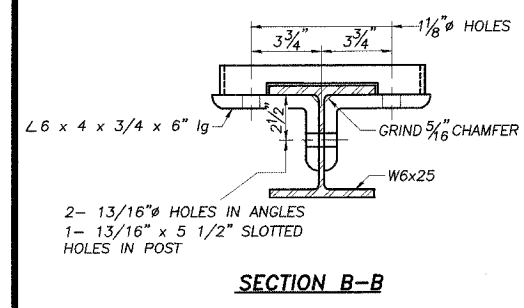


END OF RAIL DETAILS

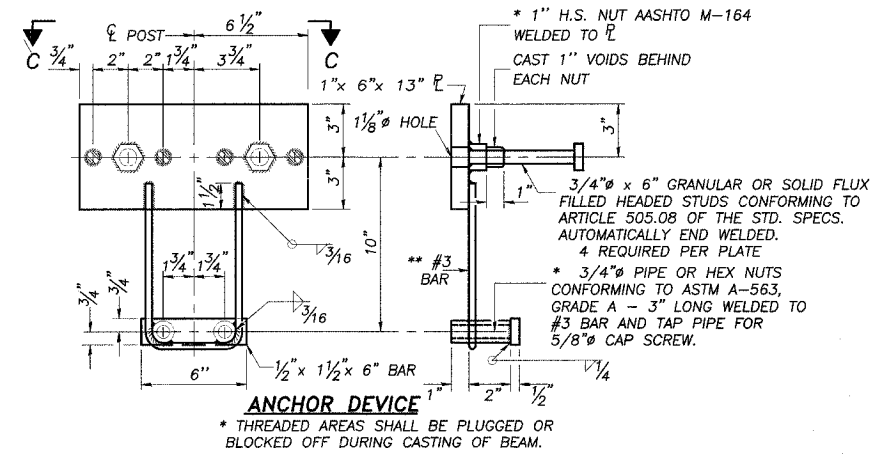
NOTES

Follow structural steel tubing shall conform to the requirements of ASTM designation A-500 Grade B Structural Steel Tubing and shall meet the longitudinal CVN requirements of 15 ft-lbs at 0° F.
All other steel shapes and plates shall conform to the requirements of AASHTO M-270 Grade 36 except posts and angles shall conform to AASHTO M-270, Grade 50.
Bolts, cap screws, and nuts shall conform to the requirement of ASTM designation A-307 except for high strength bolts, nuts and washers noted which shall conform to AASHTO M-164.
All bolts, nuts, cap screws, washers and lock washers shall be galvanized in accordance with AASHTO M-232.
All posts, railing, rail splices, anchor devices and angles shall be galvanized after shop fabrication in accordance with AASHTO M-111 and ASTM A-385. Galvanized rail shall not be painted.
Railing shall be in accordance with Section 509 of the Standard Specifications, except as noted, and will be paid for at the contract unit price per lineal foot for STEEL RAILING, TYPE S-1.
All field drilled holes shall be coated with an approved zinc rich paint before erection.
The lower portion of the post flange in contact with concrete shall receive two coats of asphalt paint conforming to Section 1060.07 Type II or place 1/8 inch fabric bearing pad between the post and concrete.
The 3/4 inch high strength bolts used to connect the 6 x 4 x 3/4 angles to the post shall be tightened in accordance with Article 507.04(f)(3) of the Standard Specifications. The 1 inch high strength bolts connecting the angles to the concrete shall be tightened to a snug fit and given an additional 1/8 turn. The 5/8 inch cap screws in bottom of posts shall be tightened to a snug fit only.

** Whenever the lower insert assemblies interfere with strand locations, the #3 bars shall be cut and adjusted in order to allow raising or lowering of the lower inserts. Maximum adjustment not to exceed 1/2 inch.

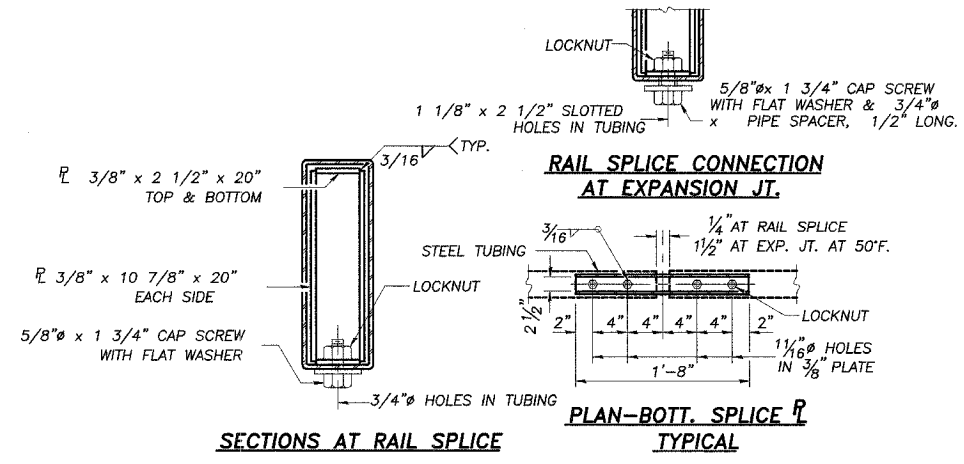


SECTION B-B



ANCHOR DEVICE

* THREADED AREAS SHALL BE PLUGGED OR BLOCKED OFF DURING CASTING OF BEAM.



**RAIL SPLICE CONNECTION
AT EXPANSION JT.**

SECTIONS AT RAIL SPLICE

**PLAN-BOTT. SPLICE
TYPICAL**

BILL OF MATERIAL

Item	Unit	Quantity
Steel Railing, Type S1	FOOT	202

STEEL RAILING TYPE S1
SECTION 02-08143-00-BR
METAMORA ROAD DISTRICT
WOODFORD COUNTY