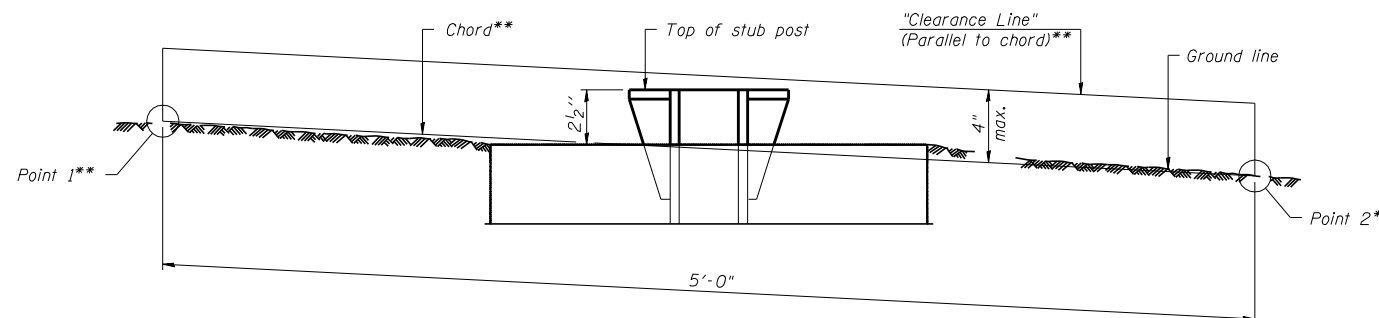


| POST | CONCRETE FOUNDATION TABLE | | | | | | | POST TO STUB POST CONNECTION DATA | | | | | | | | | | FUSE PLATE DATA | | | | |
|--------|---------------------------|-----------------|------------------------|----------------------|----------------------|---------|----------|-----------------------------------|---------------|--------|--------|--------|--------|--------|----------------|----------------|--------|-----------------|--------|--------|--------|----------------|
| | Foundation | | | Reinforcement | | | | Stub Post Length | Bolt Size | A | B | C | D | E | t ₁ | t ₂ | R | W | J | K | L | t ₃ |
| | Diameter | * Minimum Depth | Concrete (1) cu. yds.) | Vertical Bars Length | Bar Spirals Diameter | Length | lbs. (2) | | | | | | | | | | | | | | | |
| W6x9 | 2'-0" | 6'-0" | 0.70 | 5'-9" | 1'-8 1/2" | 79'-0" | 78 | 2'-3" | 5/8" x 3 1/4" | 6" | 2 1/4" | 1 1/4" | 3 1/2" | 1 1/4" | 3/4" | 1/2" | 1 1/2" | 1 1/4" | 4" | 2 1/4" | 7/8" | 1/4" |
| W6x15 | 2'-0" | 6'-0" | 0.70 | 5'-9" | 1'-8 1/2" | 79'-0" | 78 | 2'-6" | 5/8" x 3 1/4" | 6" | 2 1/4" | 1 1/4" | 3 1/2" | 1 1/4" | 3/4" | 1/2" | 1 1/2" | 1 1/4" | 6" | 3 1/2" | 1 1/4" | 3/8" |
| W8x18 | 2'-0" | 6'-0" | 0.70 | 5'-9" | 1'-8 1/2" | 79'-0" | 78 | 2'-6" | 3/4" x 3 3/4" | 6" | 2 1/2" | 1 3/8" | 3 1/4" | 1 3/8" | 1" | 1/2" | 1 3/2" | 5 1/6" | 5 1/4" | 2 3/4" | 1 1/4" | 3/8" |
| W10x22 | 2'-6" | 6'-6" | 1.18 | 6'-3" | 2'-2 1/2" | 105'-0" | 92 | 3'-0" | 3/4" x 3 3/4" | 6" | 2 1/2" | 1 3/8" | 3 1/4" | 1 3/8" | 1" | 1/2" | 1 3/2" | 5 1/6" | 5 3/4" | 2 3/4" | 1 1/2" | 1/2" |
| W10x26 | 2'-6" | 7'-0" | 1.27 | 6'-9" | 2'-2 1/2" | 112'-0" | 98 | 3'-0" | 7/8" x 4" | 7" | 2 3/4" | 1 1/2" | 4" | 1 1/2" | 1" | 3/4" | 1 5/2" | 3/8" | 5 3/4" | 2 3/4" | 1 1/2" | 5/8" |
| W12x26 | 2'-6" | 7'-9" | 1.41 | 7'-6" | 2'-2 1/2" | 119'-0" | 107 | 3'-0" | 7/8" x 4" | 7" | 2 3/4" | 1 1/2" | 4" | 1 1/2" | 1" | 3/4" | 1 5/2" | 3/8" | 6 1/2" | 3 1/2" | 1 1/2" | 5/8" |
| W14x30 | 3'-0" | 7'-3" | 1.90 | 7'-0" | 2'-8 1/2" | 145'-0" | 113 | 3'-0" | 7/8" x 4" | 7" | 2 3/4" | 1 1/2" | 4" | 1 1/2" | 1" | 3/4" | 1 5/2" | 3/8" | 6 3/4" | 3 1/2" | 1 5/8" | 1/2" |
| W14x38 | 3'-0" | 8'-0" | 2.09 | 7'-9" | 2'-8 1/2" | 153'-0" | 122 | 3'-6" | 1" x 4 1/2" | 7 1/2" | 3" | 1 3/4" | 4" | 1 3/4" | 1 1/4" | 3/4" | 1 1/2" | 3/8" | 6 3/4" | 3 1/2" | 1 5/8" | 1/2" |
| W16x45 | 3'-0" | 8'-6" | 2.23 | 8'-3" | 2'-8 1/2" | 162'-0" | 130 | 3'-6" | 1" x 4 1/2" | 7 1/2" | 3" | 1 3/4" | 4" | 1 3/4" | 1 1/4" | 3/4" | 1 1/2" | 3/8" | 7" | 3 1/2" | 1 3/4" | 1/2" |

*Dimensional changes required for varying site conditions shall be approved by the Engineer.

| POST | FUSE PLATE BOLT SIZE | | | | | | | | | | | | | |
|--------|----------------------|---------------|---------------|---------------|---------------|---------------|---------------|---------------|---------------|---------------|---------------|---------------|---------------|--|
| | Sign Depth | | | | | | | | | | | | | |
| | 4'-0" | 5'-0" | 6'-0" | 7'-0" | 8'-0" | 9'-0" | 10'-0" | 11'-0" | 12'-0" | 13'-0" | 14'-0" | 15'-0" | 16'-0" | |
| W6x9 | 1/2" x 1 1/2" | 1/2" x 1 1/2" | 1/2" x 1 1/2" | 5/8" x 1 3/4" | 5/8" x 1 3/4" | 5/8" x 1 3/4" | --- | --- | --- | --- | --- | --- | --- | |
| W6x15 | 1/2" x 1 3/4" | 1/2" x 1 3/4" | 5/8" x 2" | 5/8" x 2" | 3/4" x 2" | 3/4" x 2" | 3/4" x 2" | 3/4" x 2" | 7/8" x 2" | 7/8" x 2" | --- | --- | --- | |
| W8x18 | 1/2" x 1 3/4" | 1/2" x 1 3/4" | 1/2" x 1 3/4" | 5/8" x 2" | 5/8" x 2" | 3/4" x 2" | 3/4" x 2" | 7/8" x 2 1/4" | 7/8" x 2 1/4" | 7/8" x 2 1/4" | 7/8" x 2 1/4" | 7/8" x 2 1/4" | 7/8" x 2 1/4" | |
| W10x22 | 1/2" x 2" | 1/2" x 2" | 1/2" x 2" | 5/8" x 2" | 5/8" x 2" | 3/4" x 2 1/4" | 3/4" x 2 1/4" | 7/8" x 2 1/4" | 7/8" x 2 1/4" | 7/8" x 2 1/2" | 1" x 2 1/2" | 1" x 2 3/4" | 1" x 2 3/4" | |
| W10x26 | 1/2" x 2" | 1/2" x 2" | 1/2" x 2" | 5/8" x 2 1/4" | 5/8" x 2 1/4" | 3/4" x 2 1/2" | 3/4" x 2 1/2" | 7/8" x 2 1/2" | 7/8" x 2 1/2" | 1" x 2 3/4" | 1" x 2 3/4" | 1" x 2 3/4" | 1 1/8" x 3" | |
| W12x26 | --- | --- | --- | --- | --- | 5/8" x 2 1/4" | --- | --- | 7/8" x 2 1/2" | 7/8" x 2 1/2" | 1" x 2 1/2" | 1" x 2 3/4" | 1" x 2 3/4" | |
| W14x30 | 1/2" x 2" | 1/2" x 2" | 1/2" x 2" | 1/2" x 2" | 1/2" x 2" | 5/8" x 2" | 3/4" x 2 1/4" | 3/4" x 2 1/4" | 3/4" x 2 1/4" | 7/8" x 2 1/2" | 1" x 2 1/2" | 1" x 2 3/4" | 1" x 2 3/4" | |
| W14x38 | --- | 1/2" x 2" | 1/2" x 2" | 1/2" x 2" | 1/2" x 2" | 5/8" x 2 1/4" | 3/4" x 2 1/4" | 3/4" x 2 1/4" | 3/4" x 2 1/4" | 7/8" x 2 1/2" | 7/8" x 2 1/2" | 1" x 2 1/2" | 1" x 2 3/4" | |
| W16x45 | --- | --- | --- | 1/2" x 2" | 1/2" x 2" | 5/8" x 2 1/4" | 5/8" x 2 1/4" | 3/4" x 2 1/4" | 3/4" x 2 1/4" | 3/4" x 2 1/2" | 3/4" x 2 1/2" | 7/8" x 2 1/2" | 1" x 2 3/4" | |



ELEVATION
GROUND LINE & STUB POST

** For all "Point 1" and "Point 2" locations, "Clearance Line" must be at or above top of stub post.

- (1) Quantity includes all concrete necessary for one foundation.
- (2) Includes reinforcement bars and spiral hooping for one foundation.

BREAK-AWAY WIDE FLANGE
STEEL SIGN POST TABLES

DETAIL SHEET
F.A.I. ROUTE. 57
SECTION 10-32HB-3,K
CHAMPAIGN COUNTY
CONTRACT NO. 90758

| NUMBER | REVISION | DATE |
|--------|----------|------|
| | | |
| | | |
| | | |
| | | |
| | | |