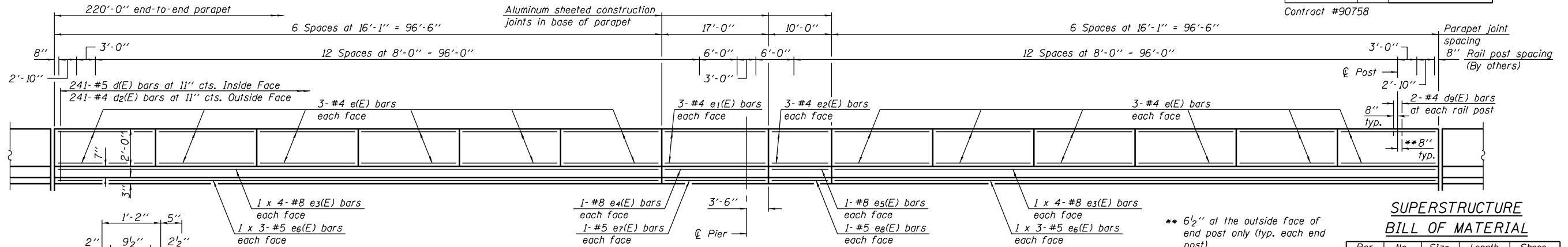


STATE OF ILLINOIS  
DEPARTMENT OF TRANSPORTATION

ROUTE NO.	SECTION	COUNTY	TOTAL SHEETS	SHEET NO.
F.A.I. 57	10-32HB-3.K	CHAMPAIGN	352	120
FED. ROAD DIST. NO. 7	ILLINOIS	FED. AID PROJECT		

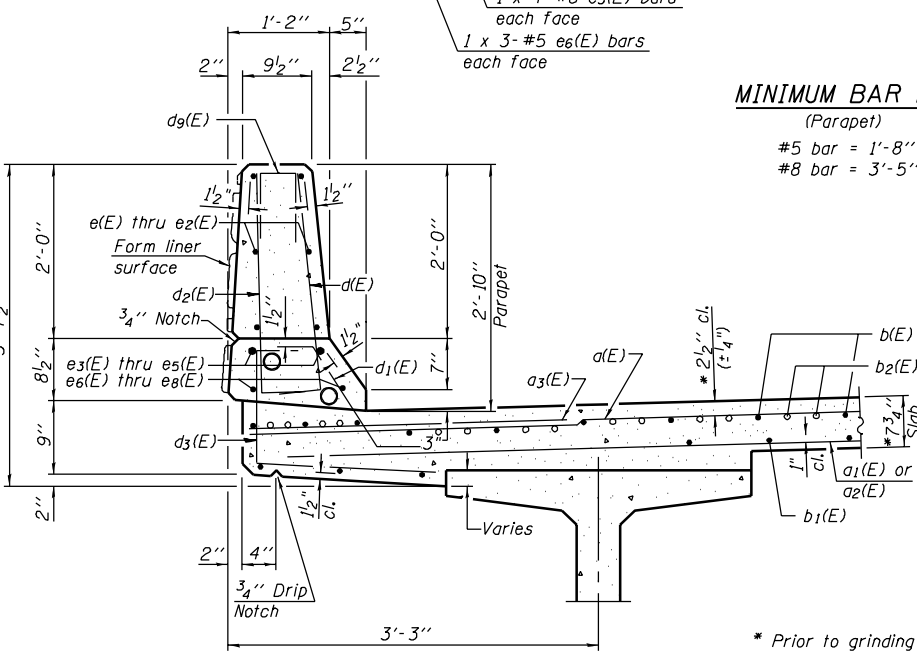
SHEET NO. 11  
27 SHEETS

Contract #90758

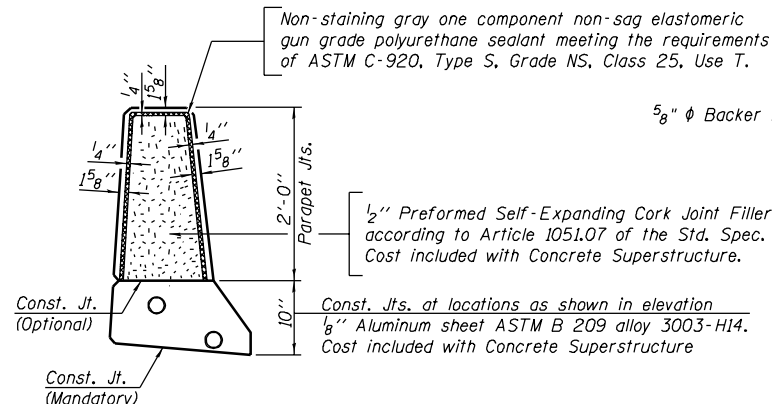


**MINIMUM BAR LAP**  
(Parapet)  
#5 bar = 1'-8"  
#8 bar = 3'-5"

**INSIDE ELEVATION OF PARAPET**  
(Looking North)

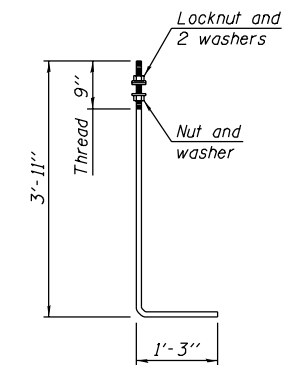


SECTION THRU PARAPET



PARAPET JOINT DETAILS

\*\* 6 1/2" at the outside face of end post only (typ. each end post).



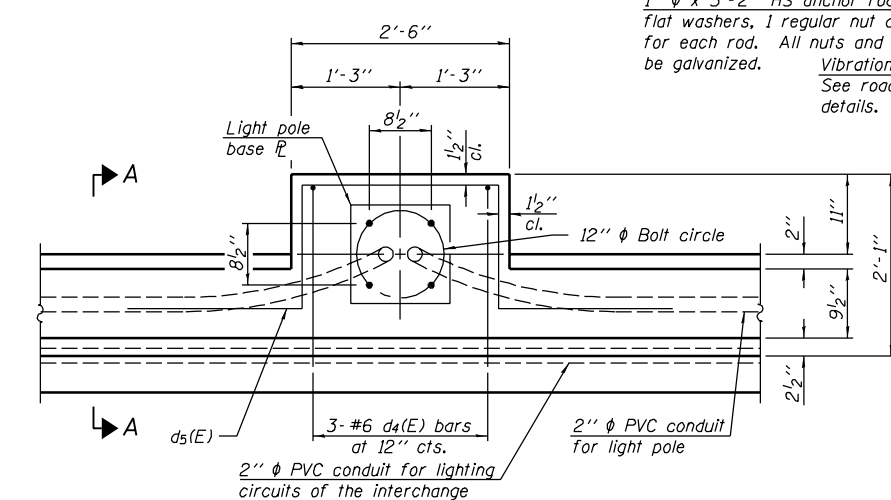
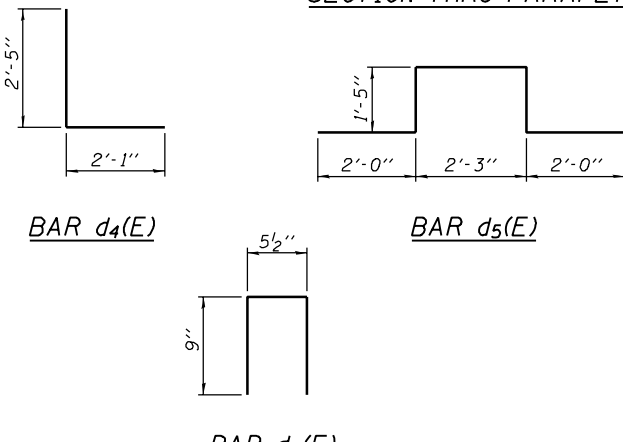
1"  $\phi$  ANCHOR ROD  
(ASTM F 1554 Grade 105)

**SUPERSTRUCTURE  
BILL OF MATERIAL**

Bar	No.	Size	Length	Shape
d(E)	993	#5	32'-4"	—
a1(E)	265	#5	47'-9"	—
a2(E)	265	#5	45'-4"	—
a3(E)	332	#6	6'-6"	—
b(E)	768	#5	29'-5"	—
b1(E)	721	#5	33'-3"	—
b2(E)	558	#7	22'-8"	—
c(E)	442	#5	1'-5"	┌
c1(E)	221	#5	17'-6"	—
d(E)	482	#5	3'-0"	┌
d1(E)	482	#5	2'-5"	┌
d2(E)	482	#4	3'-0"	┌
d3(E)	482	#4	2'-9"	┌
d4(E)	18	#6	4'-6"	┌
d5(E)	30	#6	9'-1"	┌
d9(E)	128	#4	1'-11 1/2"	┌
e(E)	144	#4	15'-10"	—
e1(E)	12	#4	16'-9"	—
e2(E)	12	#4	9'-9"	—
e3(E)	32	#8	26'-8"	—
e4(E)	4	#8	16'-9"	—
e5(E)	4	#8	9'-9"	—
e6(E)	24	#5	33'-4"	—
e7(E)	4	#5	16'-9"	—
e8(E)	4	#5	9'-9"	—
m(E)	36	#6	32'-10"	—
m1(E)	84	#6	9'-3"	—
m2(E)	52	#6	4'-3"	—
m3(E)	4	#6	1'-11"	—
m4(E)	78	#4	5'-11"	—
m5(E)	14	#8	6'-2"	—
s(E)	168	#5	7'-0"	┌
s1(E)	90	#4	14'-8"	┌
s2(E)	39	#4	13'-10"	┌
v(E)	188	#5	4'-6"	┌
Reinforcement Bars, Epoxy Coated		Lbs.	159250	
Concrete Superstructure		Cu. Yds.	785.9	

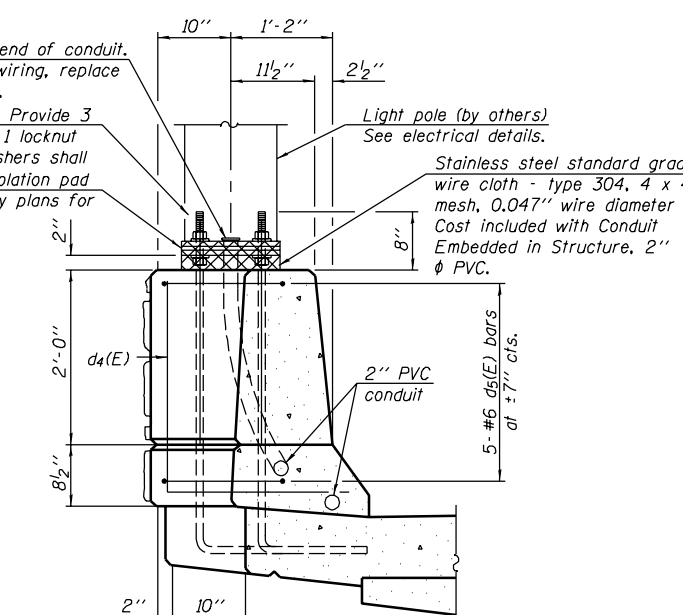
Reinforcement bars designated (E) shall be epoxy coated.  
Bars indicated thus 1 x 4-#8 etc. indicates 1 line of bars with 4 lengths per line.

**SUPERSTRUCTURE DETAILS**  
F.A.I. ROUTE 57 SEC. 10-32HB-3.K  
CHAMPAIGN COUNTY  
STATION 297+20.45  
STRUCTURE NO. 010-0272



LIGHT POLE MOUNT PLAN

Cost of anchor rods is included with Conduit Embedded in Structure, 2"  $\phi$  PVC.



SECTION A-A

DESIGNED	Gholam R. Ahanchi
CHECKED	Rebecca L. Tharp
DRAWN	Michael B. Mossman
CHECKED	G.R.A. / R.L.T.

DATE	April 28, 2006
EXAMINED	Thomas J. Domagala
PASSED	Ralph E. Anderson