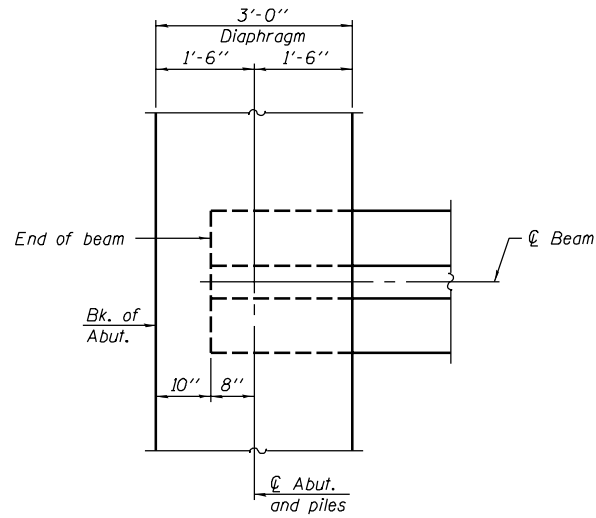


STATE OF ILLINOIS
DEPARTMENT OF TRANSPORTATION

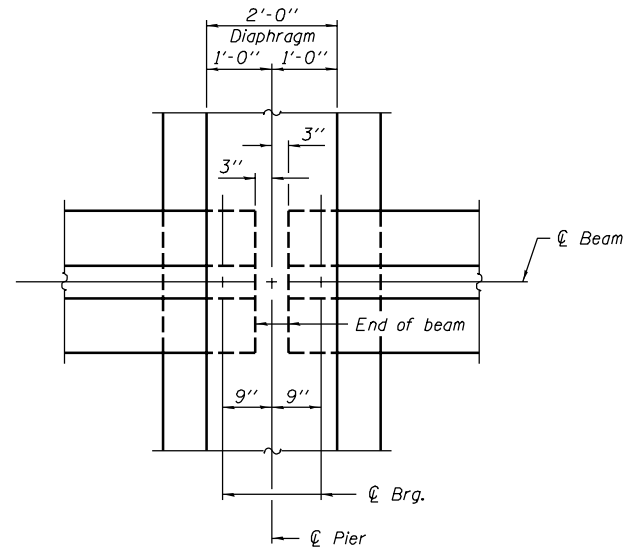
ROUTE NO.	SECTION	COUNTY	TOTAL SHEETS	SHEET NO.
F.A.I. 57	10-32HB-3,K	CHAMPAIGN	352	121
FED. ROAD DIST. NO. 7	ILLINOIS	FED. AID PROJECT		

SHEET NO. 12
27 SHEETS

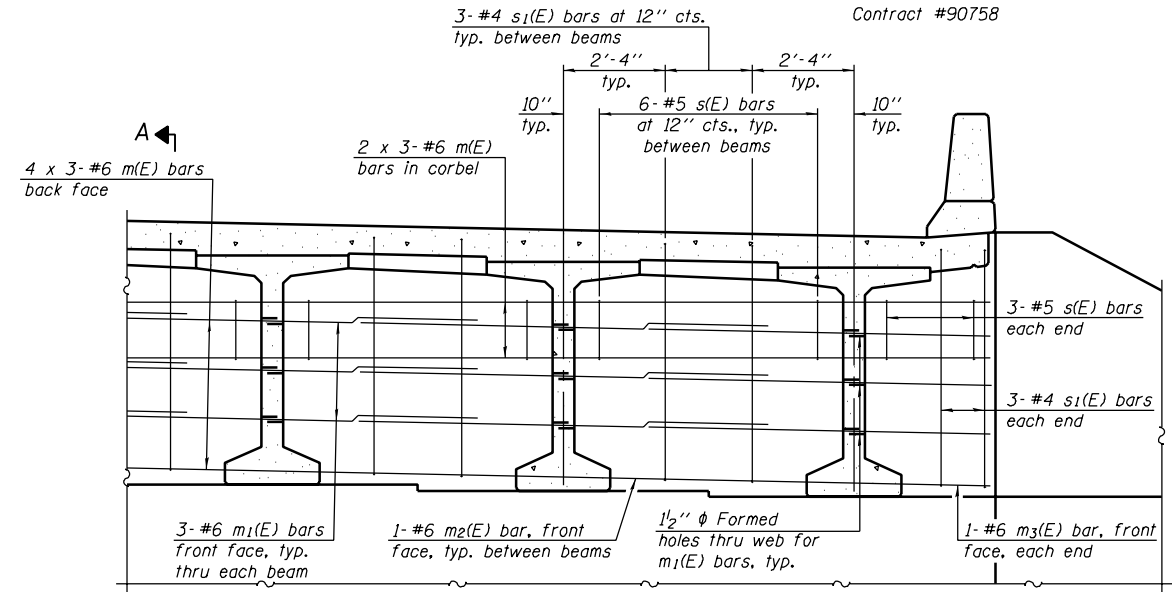
Contract #90758



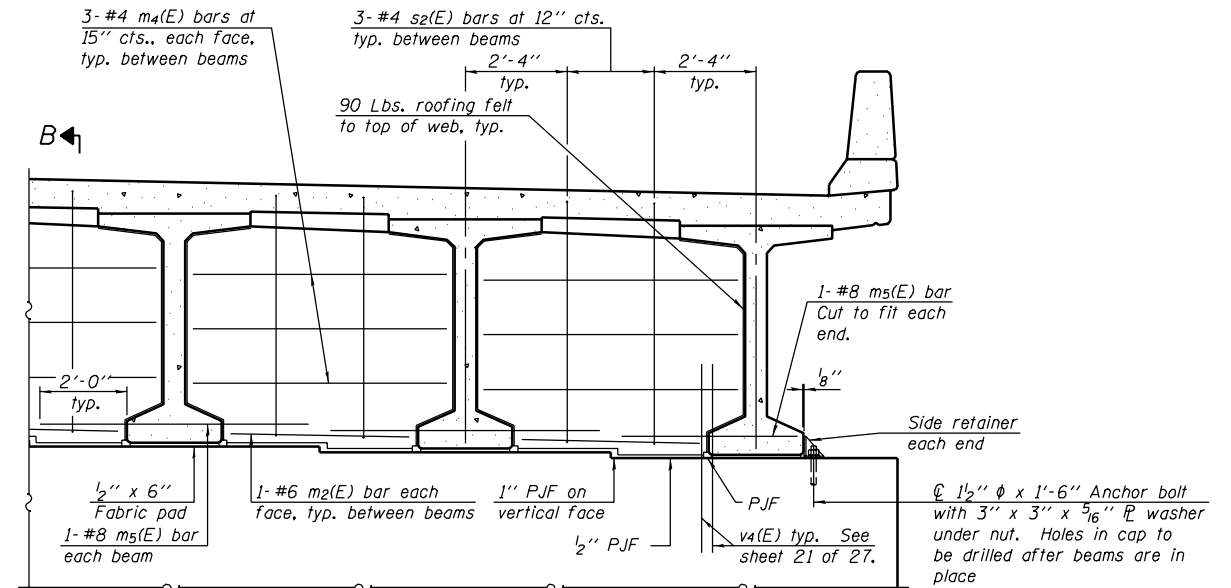
DETAIL A



DETAIL B

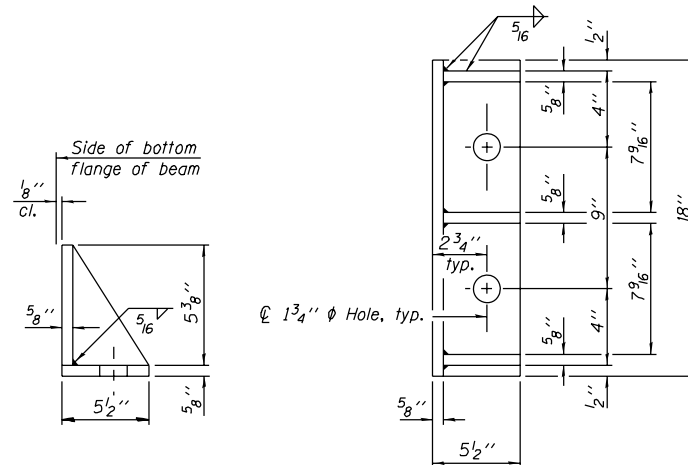


DIAPHRAGM ELEVATION AT ABUTMENT



DIAPHRAGM AT PIER

Notes:
Reinforcement bars in diaphragm are billed with superstructure on sheet 11 of 27.
Concrete in diaphragm is included with Concrete Superstructure on sheet 11 of 27.
For details of bars s(E), s1(E) and s2(E) see sheet 10 of 27.
See sheet 13 of 27 for Sections A-A and B-B.
Cost of 90 Lb. roofing felt, P.J.F. and fabric bearing pads is included with Concrete Superstructure.
The side retainer shall be galvanized after shop fabrication according to AASHTO M 111 and ASTM A 385. Cost of side retainer and anchor bolts shall be included with Concrete Structures.
See sheet 17 of 27 for anchor bolt details.
For location of Details A and B, see sheet 14 of 27.
Bars indicated thus 4 x 3-#6 etc. indicates 4 lines of bars with 3 lengths per line.
See sheet 15 of 27 for holes thru web for m1(E) bars.



SIDE RETAINER

Equivalent rolled angle with stiffeners will be allowed in lieu of welded plates.

MIN. BAR LAP
#6 bar = 2'-7"

DESIGNED	Gholam R. Ahanchi
CHECKED	Rebecca L. Tharp
DRAWN	Michael B. Mossman
CHECKED	G.R.A. / R.L.T.

EXAMINED	Thomas J. Domagala	April 28, 2006
PASSED	Ralph E. Anderson	

DIAPHRAGM DETAILS
F.A.I. ROUTE 57 SEC. 10-32HB-3,K
CHAMPAIGN COUNTY
STATION 297+20.45
STRUCTURE NO. 010-0272