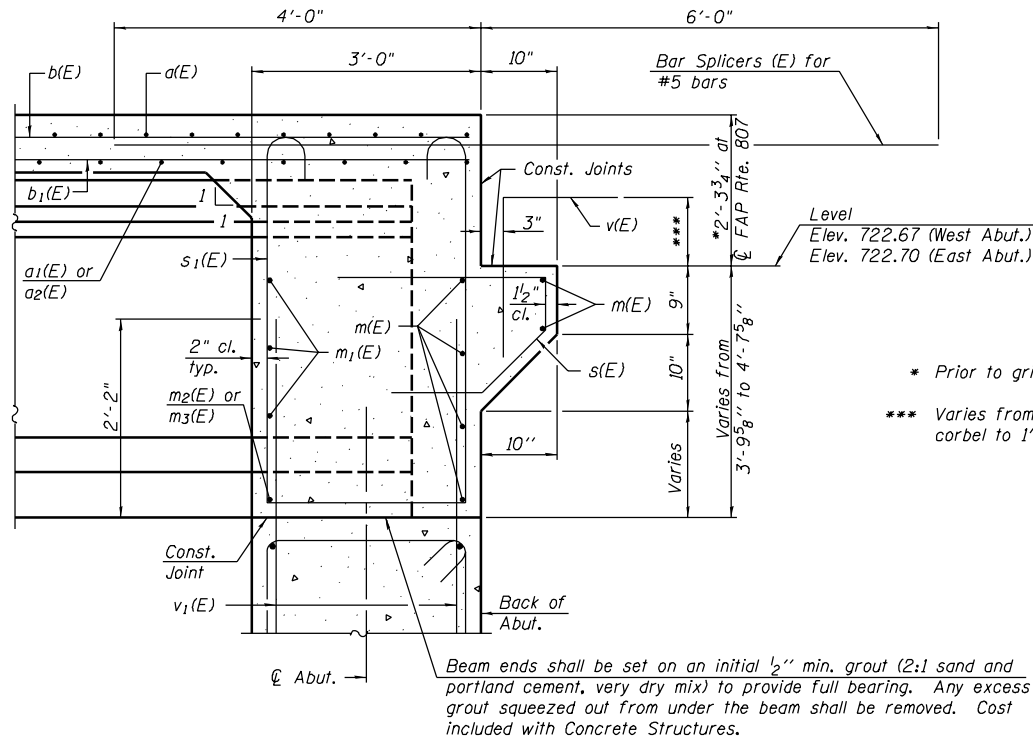


STATE OF ILLINOIS
DEPARTMENT OF TRANSPORTATION

ROUTE NO.	SECTION	COUNTY	TOTAL SHEETS	SHEET NO.
F.A.I. 57	10-32HB-3,K	CHAMPAIGN	352	122
FED. ROAD DIST. NO. 7	ILLINOIS	FED. AID PROJECT-		

SHEET NO. 13
27 SHEETS

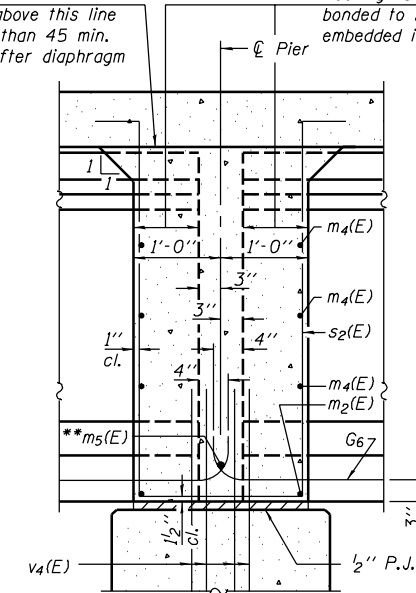
Contract #90758



SECTION A-A

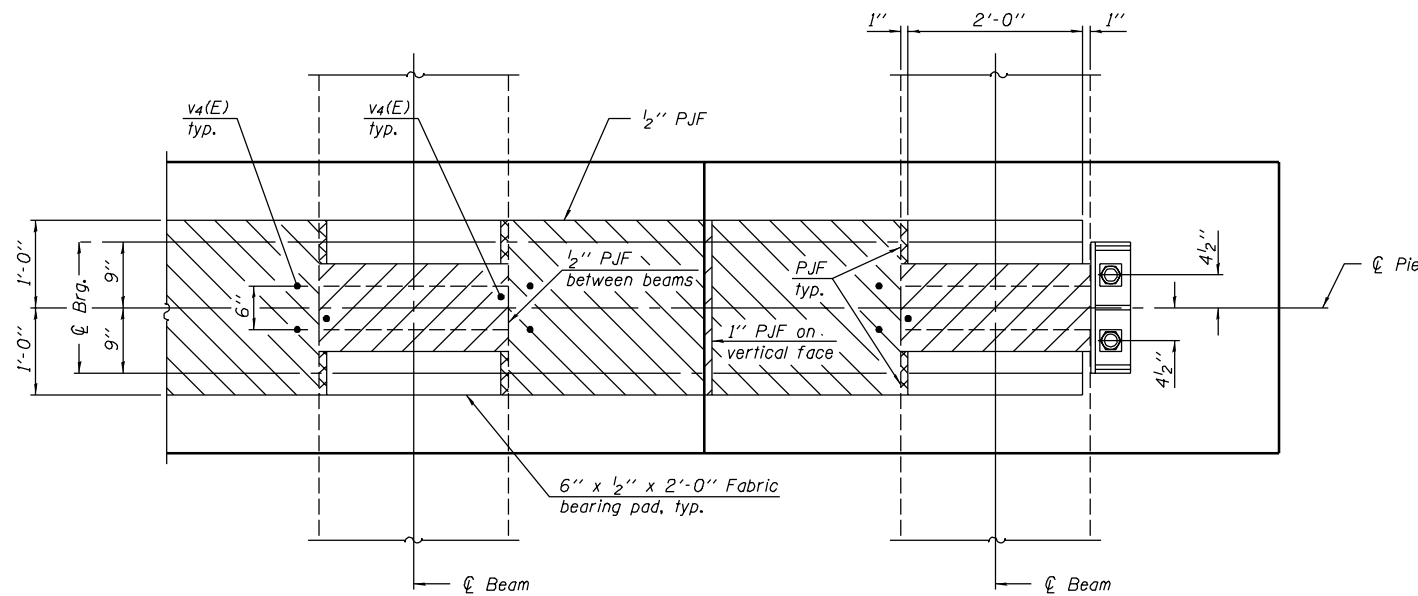
Pour diaphragm flush with batt. of slab. Concrete in slab above this line shall be placed not less than 45 min. nor more than 90 min. after diaphragm has been poured.

Roofing felt shall be bonded to side of beam embedded into diaphragm.



SECTION B-B

** Tightly fasten the #8 bars together with No. 9 wire ties.



PLAN AT PIER
(Showing bearing pad and P.J.F. details)

Note:
See sheet 12 of 27 for location of Sections A-A and B-B.

DESIGNED Gholam R. Ahanchi	April 28, 2006
CHECKED Rebecca L. Tharp	EXAMINED <i>Thomas J. Domagala</i>
DRAWN Michael B. Mossman	PASSED <i>Ralph E. Anderson</i>
CHECKED G.R.A. / R.L.T.	ENGINEER OF BRIDGES AND STRUCTURES

PBT-2DDI 10-22-04

DIAPHRAGM DETAILS
F.A.I. ROUTE 57 SEC. 10-32HB-3,K
CHAMPAIGN COUNTY
STATION 297+20.45
STRUCTURE NO. 010-0272