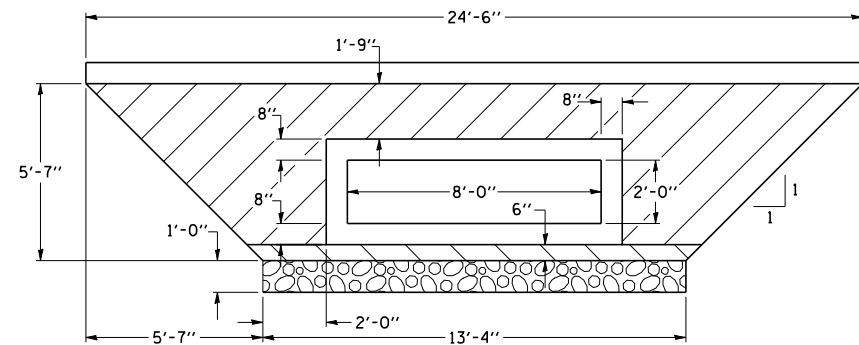


# CONTROLLED LOW STRENGTH MATERIAL (CLSM) AT A.R. CULVERTS

F.A.I. RTE.	SECTION	COUNTY	TOTAL SHEETS	SHEET NO.
57	10-32HB-3,K	CHAMPAIGN	352	171

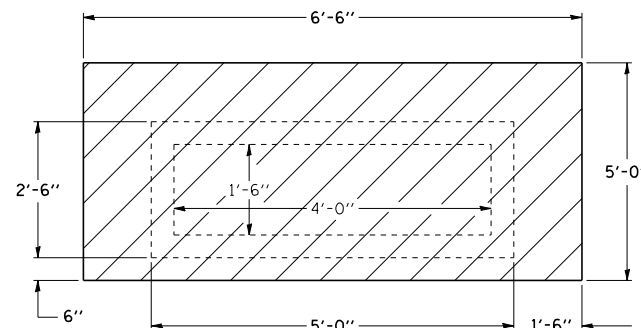
CONTRACT NO. 90758

**BOX CULVERT NO. 25**  
STALEY ROAD STA. 247+96



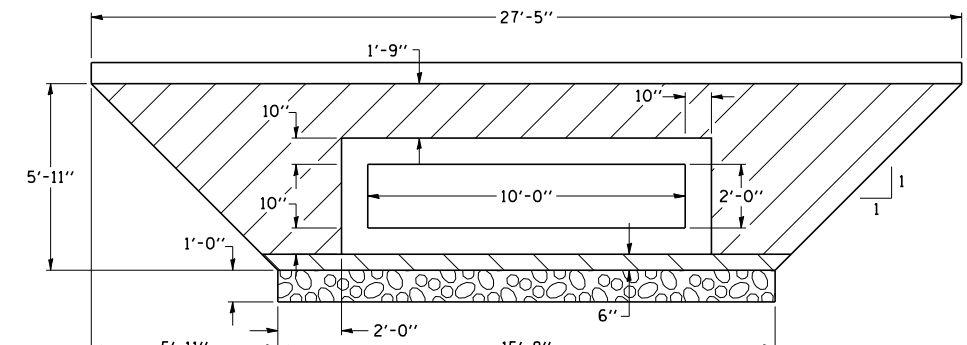
- PAY LIMITS OF CLSM = 68.3 SO. FT.
- POROUS GRANULAR MATERIAL INCLUDED IN PAY ITEM FOR BOX CULVERT
- RIPRAP (SPECIAL)
- CLASS D PATCH

**EXISTING CULVERT REMOVAL**  
ON STALEY ROAD  
STA. 246+66 & STA. 247+07



- PAY LIMITS OF CLSM = 32.5 SO. FT.

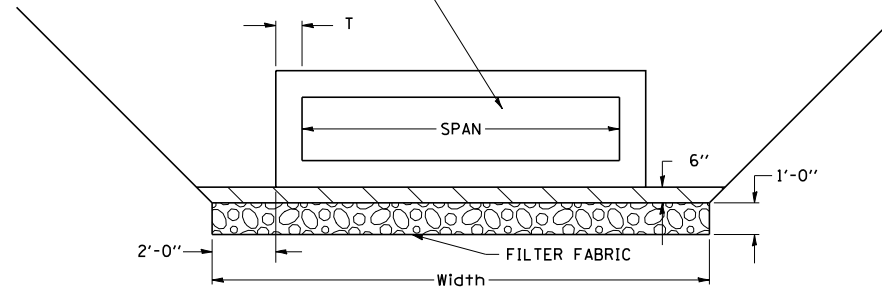
**BOX CULVERT NO. 26**  
STALEY ROAD STA. 245+91.5



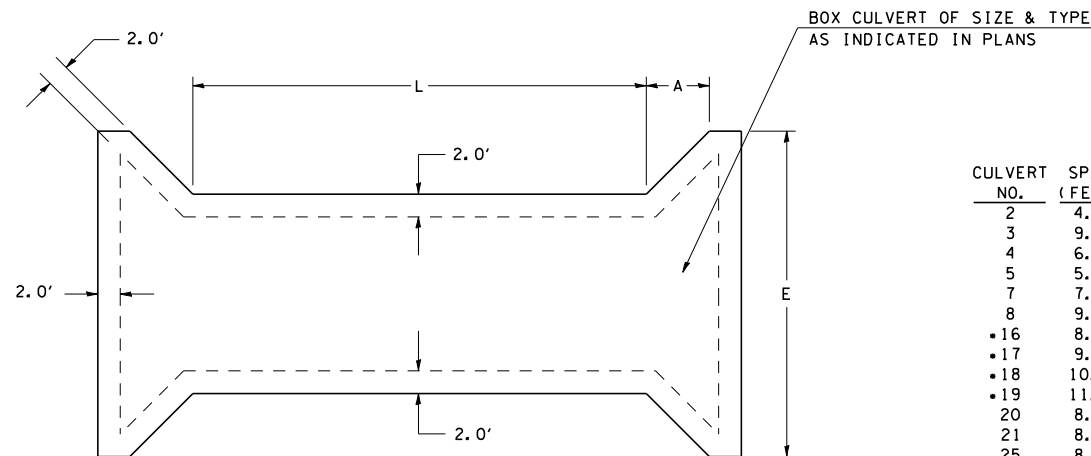
- PAY LIMITS OF CLSM = 78.3 SO. FT.
- POROUS GRANULAR MATERIAL INCLUDED IN PAY ITEM FOR BOX CULVERT
- RIPRAP (SPECIAL)
- CLASS D PATCH

## GENERAL RIPRAP (SPECIAL) DETAIL

BOX CULVERT OF SIZE & TYPE AS INDICATED IN PLANS



- POROUS GRANULAR MATERIAL INCLUDED IN PAY ITEM FOR BOX CULVERT
- RIPRAP (SPECIAL)



CULVERT NO.	SPAN (FEET)	T (INCHES)	W (FEET)	L (FEET)	E (FEET)	A (FEET)	INCIDENTAL		RIPRAP (SPECIAL) TON		
							POR. GRAN. BACKFILL CU YD	FILTER FABRIC SO YD			
2	4.0	6	9.0	223.2	22.0	6.5	44.6	255.4	85.1	127.7	
3	9.0	6	14.0	174.7	32.3	9.2	57.2	333.4	111.1	166.7	
4	6.0	7	11.2	80.2	23.1	5.5	22.6	131.0	43.7	65.6	
5	5.0	6	10.0	95.0	21.3	5.2	23.1	133.1	44.4	66.6	
7	7.0	8	12.3	134.4	24.3	5.5	37.4	216.8	72.3	108.5	
8	9.0	9	14.5	86.4	26.8	5.7	30.4	177.3	59.1	88.7	
•16	8.0	7	13.2	179.8	---	---	50.0	289.8	96.6	144.9	
•17	9.0	6	14.0	347.5	---	---	113.8	663.6	221.2	331.8	
•18	10.0	9	15.4	306.0	---	---	110.6	646.6	215.5	323.3	
•19	11.0	9	16.5	166.3	---	---	58.0	338.9	113.0	169.5	
20	8.0	8	13.3	71.5	25.3	5.5	24.1	140.5	46.8	70.2	
21	8.0	8	13.3	65.0	25.3	5.5	22.4	130.9	43.6	65.4	
25	8.0	8	13.3	76.5	23.3	4.5	24.3	141.7	47.2	70.8	
26	10.0	10	15.7	92.2	26.3	4.8	33.3	194.9	65.0	97.5	
TOTAL =							651.8	3,793.9	1,264.6	1,897.2	
											USE = 1,898 TONS

NOTES  
 • CULVERT DOES NOT HAVE AN APRON END SECTION, THEREFORE RIPRAP (SPECIAL) SHALL BE EXTENDED 2' BEYOND THE PERIMETER OF BARREL AND ANY VERTICAL CANTILEVER WINGWALL.

THIS WORK IS PAID FOR AT THE CONTRACT UNIT PRICE PER TON FOR RIPRAP (SPECIAL), WHICH SHALL INCLUDE THE EXCAVATION, EQUIPMENT, LABOR, AND MATERIALS REQUIRED.

IF SOFT OR QUESTIONABLE MATERIALS ARE FOUND IN THE FIELD, CONTACT THE ENGINEER OR THE GEOTECHNICAL UNIT FOR ADDITIONAL INVESTIGATION.