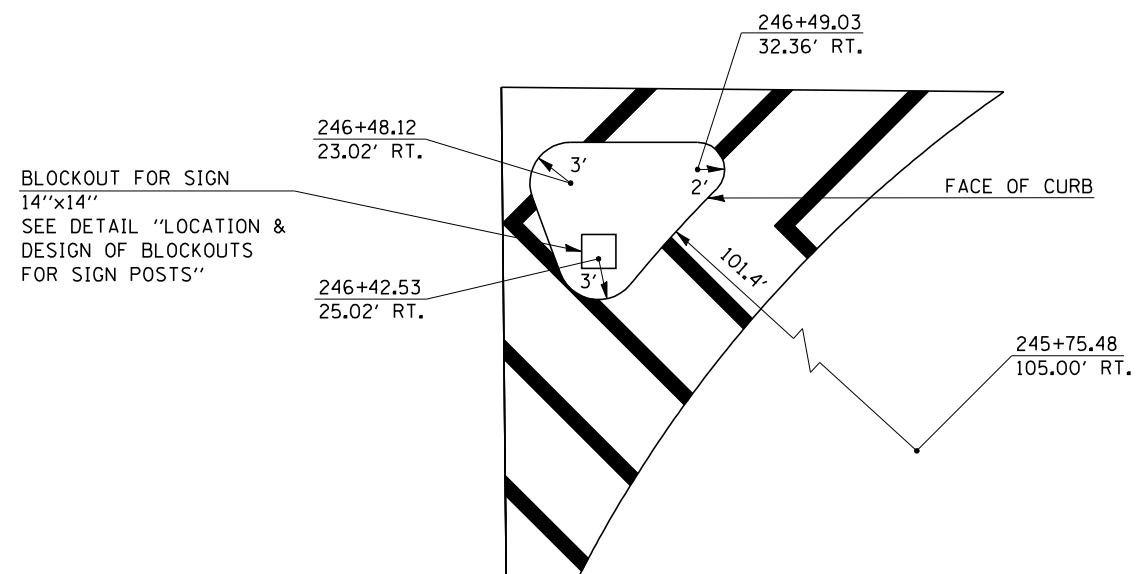


F.A.I. RTE.	SECTION	COUNTY	TOTAL SHEETS	SHEET NO.
57	10-32HB-3,K	Champaign	352	179

CONTRACT NO. 90758

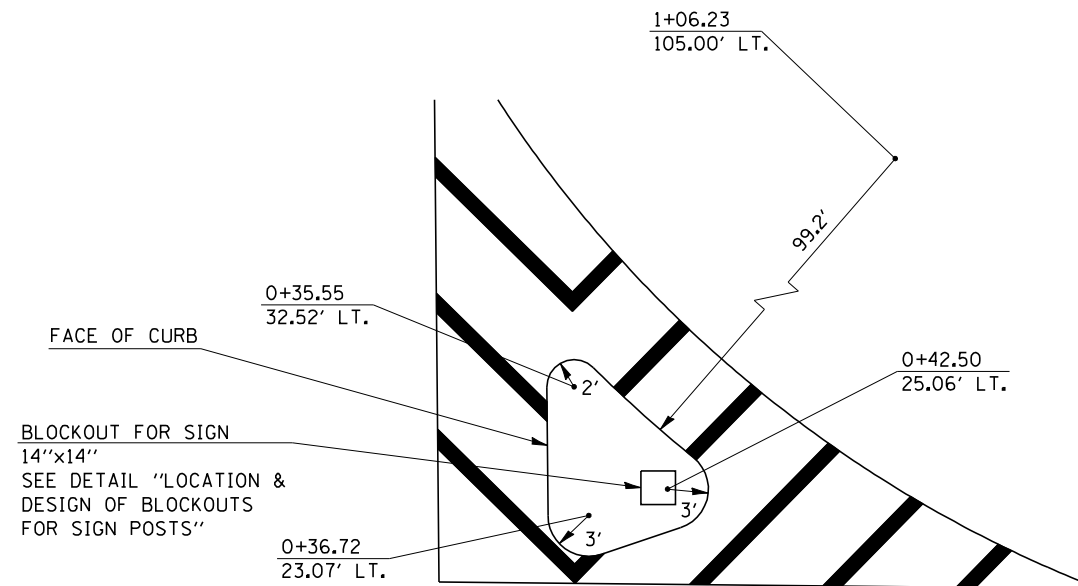
LAYOUT DETAIL FOR CONCRETE MEDIANS, TYPE SM

SEE HIGHWAY STANDARD 606301-02



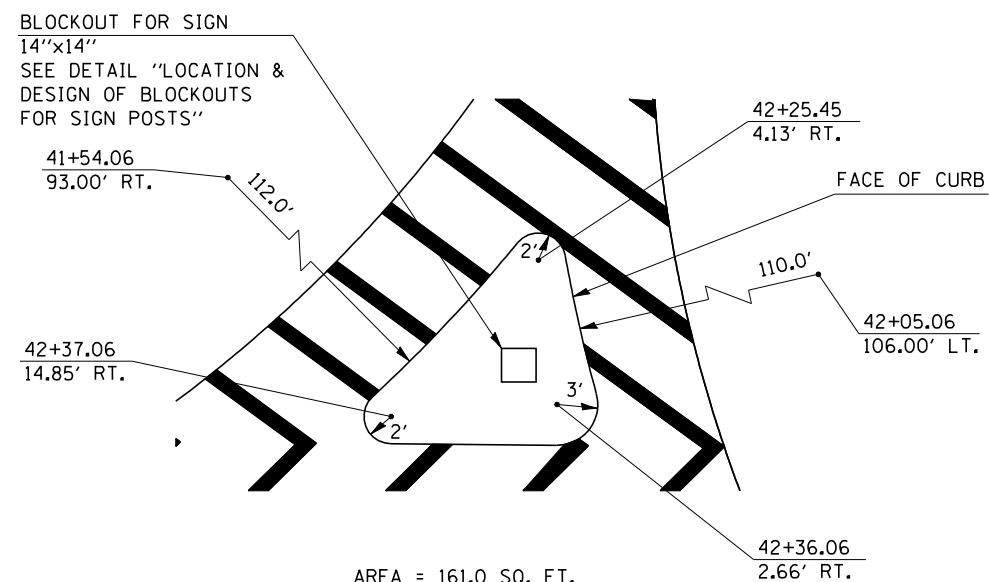
AREA = 114.5 SQ. FT.

NORTH BOUND STALEY ROAD



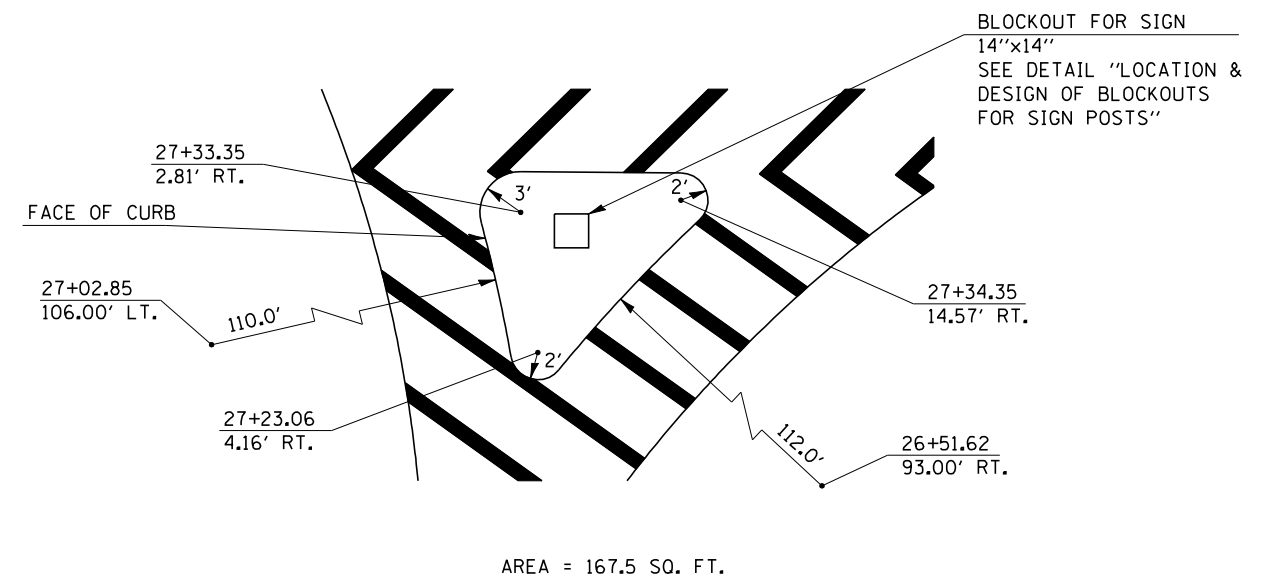
AREA = 117.5 SQ. FT.

WEST BOUND CURTIS ROAD



AREA = 161.0 SQ. FT.

SOUTH BOUND RAMP D



AREA = 167.5 SQ. FT.

NORTH BOUND RAMP B

ILLINOIS DEPARTMENT OF TRANSPORTATION

DETAILS