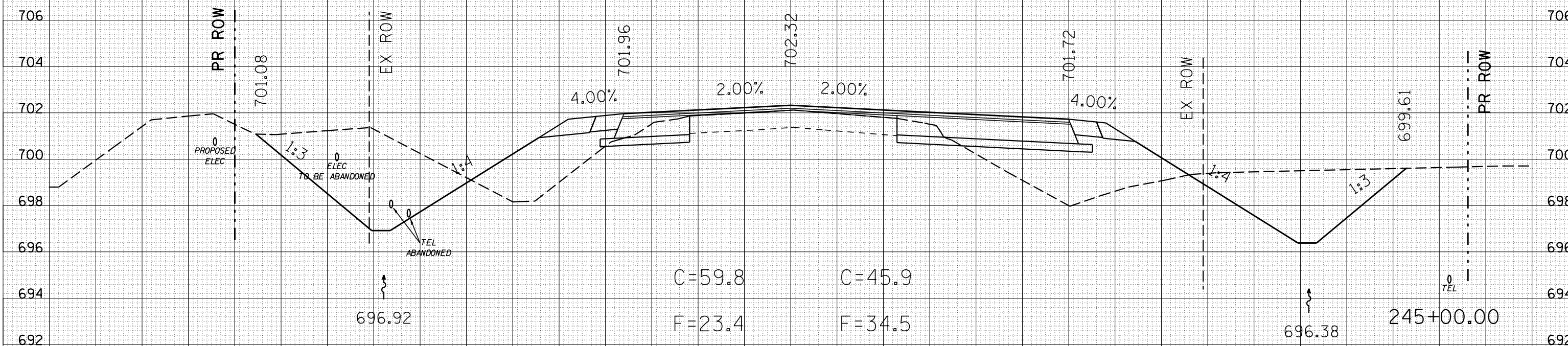


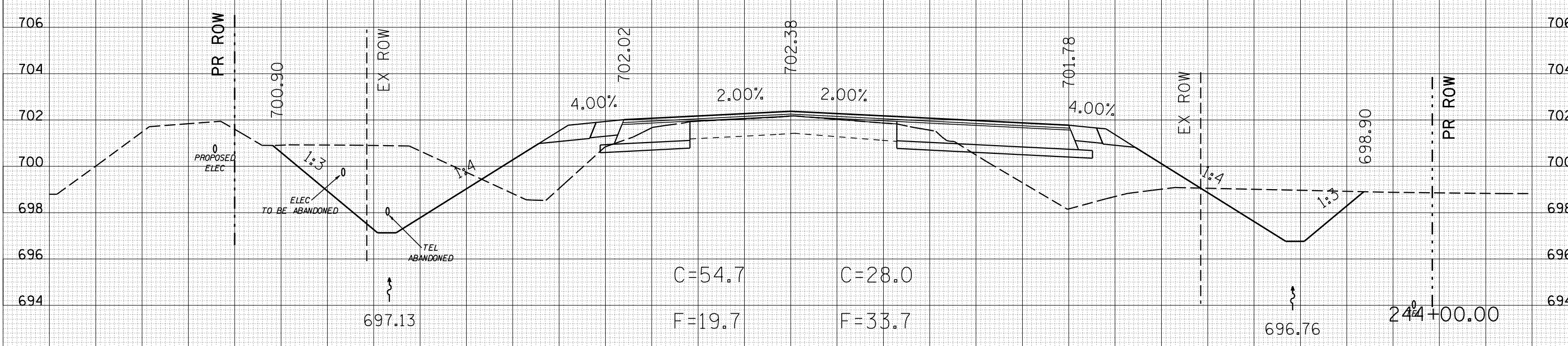
F.A.I. RTE.	SECTION	COUNTY	TOTAL SHEETS	SHEET NO.
57	10-32HB-3,K	CHAMPAIGN	352	238
STA. 244+00.00		TO STA. 245+00.00		
FED. ROAD DIST. NO.		ILLINOIS	FED. AID PROJECT	

STALEY ROAD



C=59.8  
F=23.4

C=45.9  
F=34.5



C=54.7  
F=19.7

C=28.0  
F=33.7

BY	DATE

BY	DATE