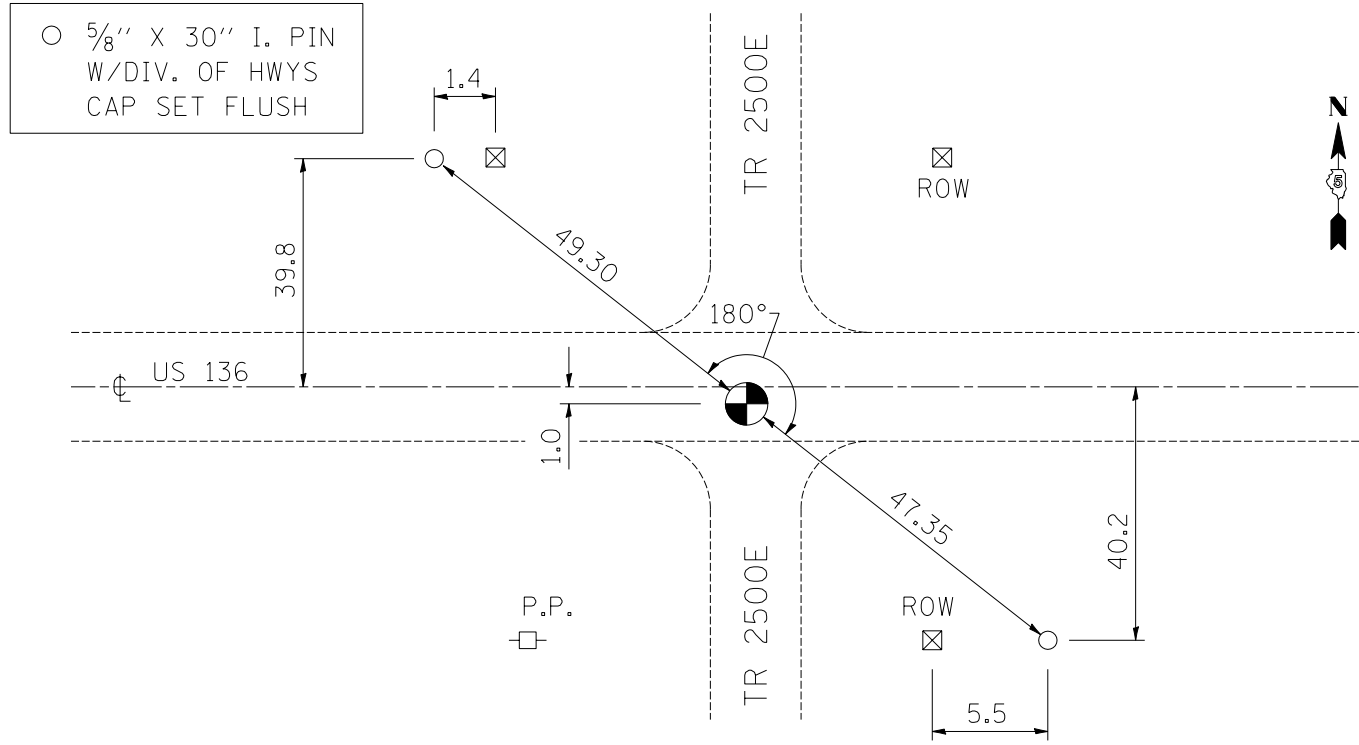
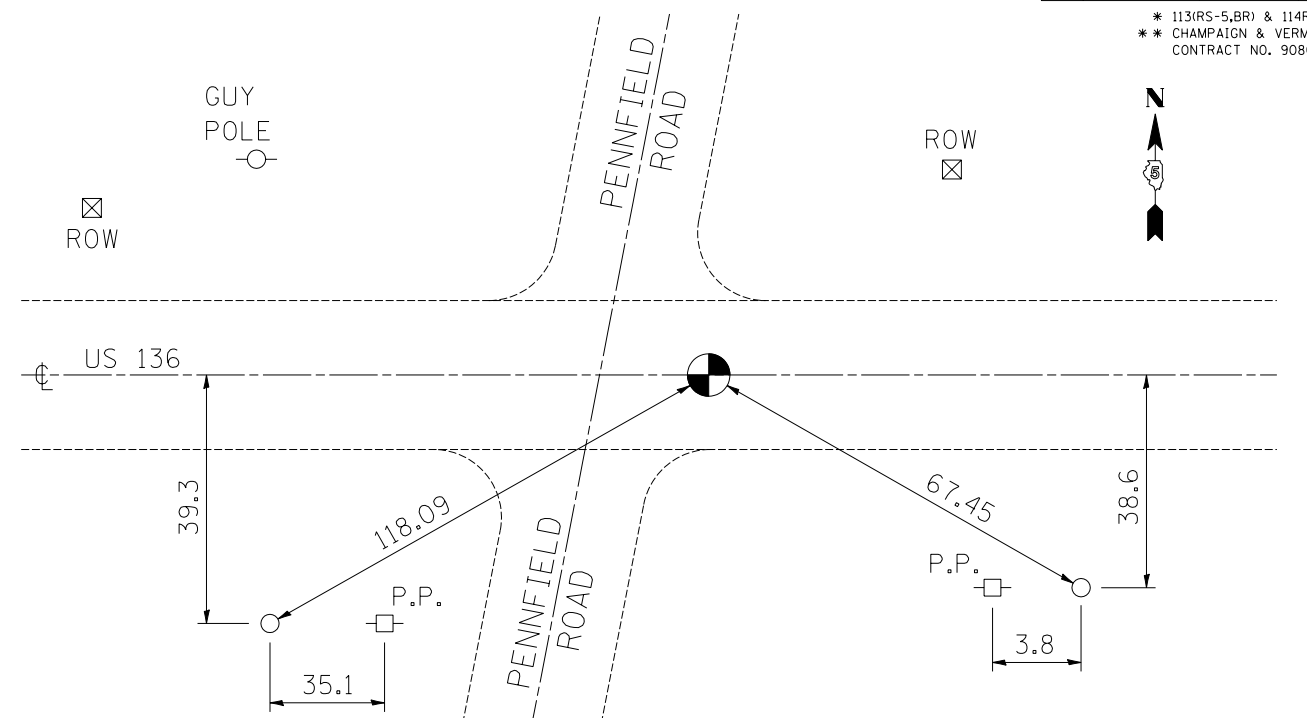


F.A.P. RTE.	SECTION	COUNTY	TOTAL SHEETS	SHEET NO.
709	*	**	72	7

\* 113(RS-5, BR) & 114RS-2  
 \*\* CHAMPAIGN & VERMILION  
 CONTRACT NO. 90864

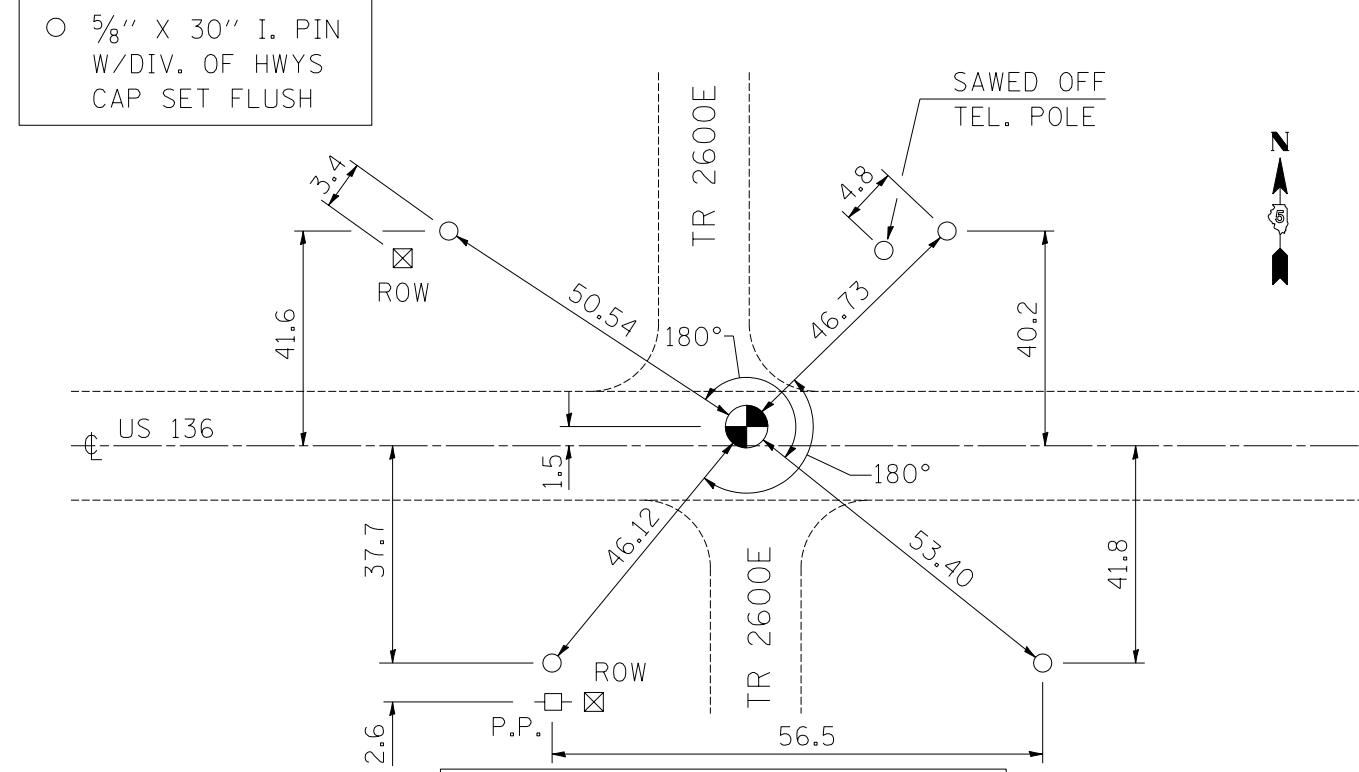


PK NAIL IN CHISELED X - FOUND @ SW COR SEC 31-22N-14W

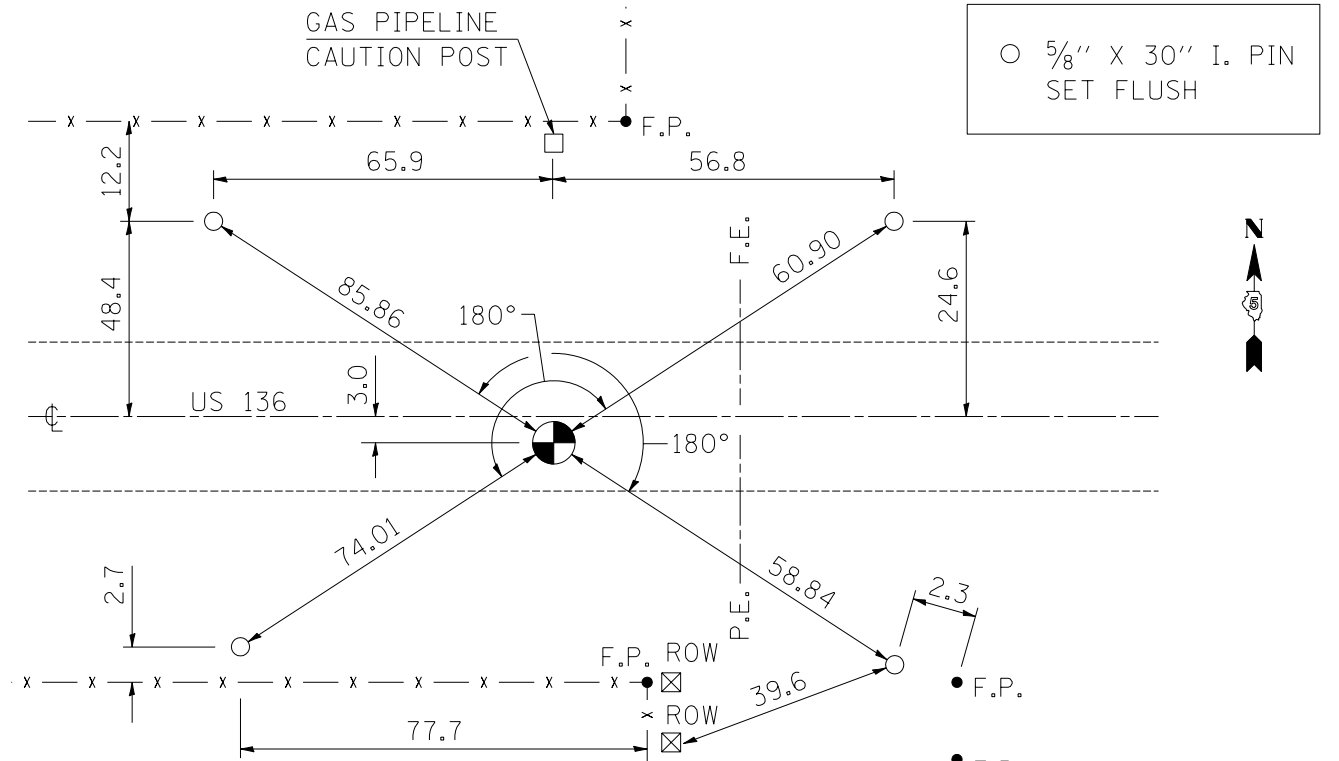


PK NAIL FOUND ON CL @ SE COR SEC 32-22N-14W

5/8" X 30" I. PIN SET FLUSH



PK NAIL IN CHISELED X - FOUND @ SE COR SEC 31-22N-14W



PK NAIL FOUND @ SW COR SEC 34-22N-14W STATION 56+28

5/8" X 30" I. PIN SET FLUSH