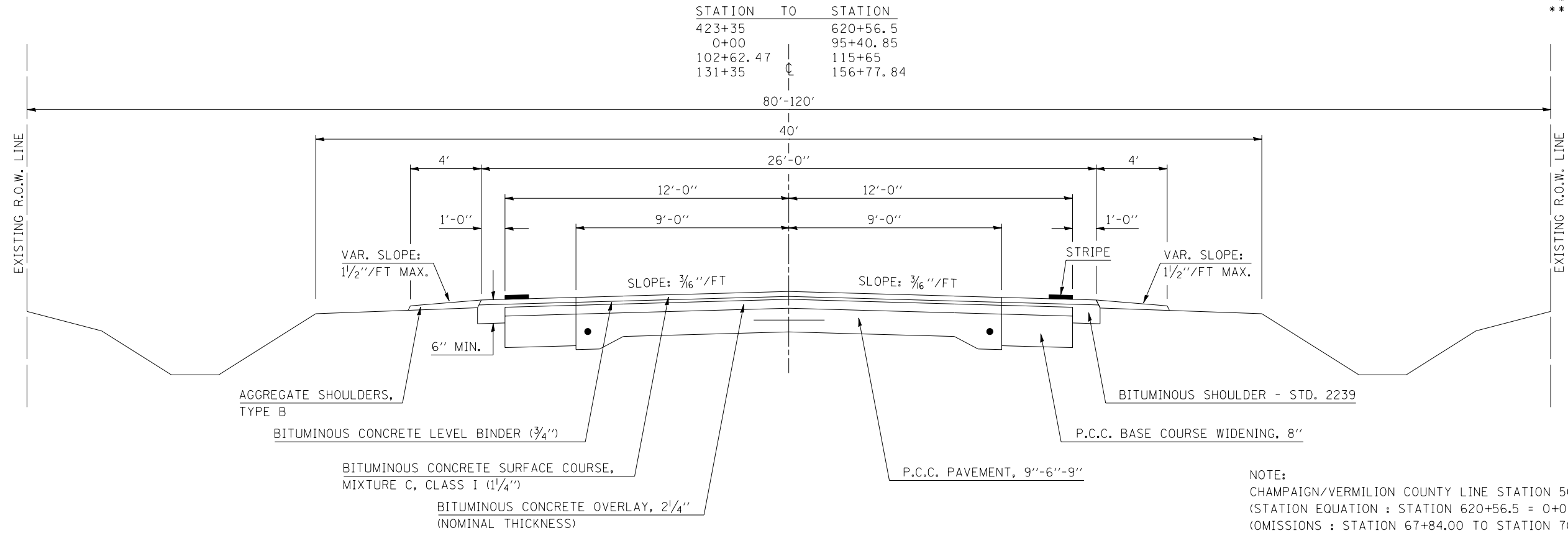


EXISTING TYPICAL CROSS SECTION

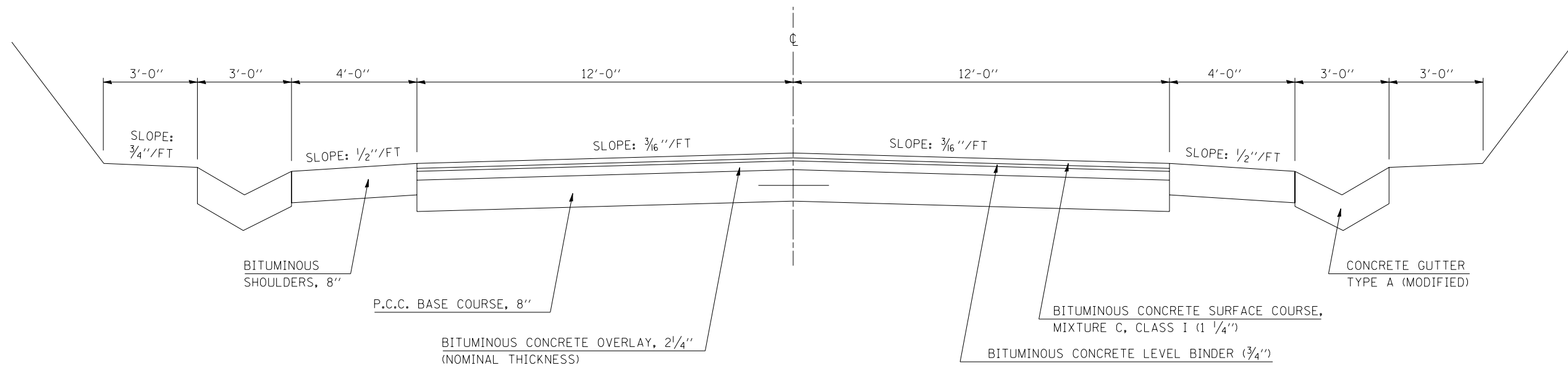
F.A.P. RTE.	SECTION	COUNTY	TOTAL SHEETS	SHEET NO.
709	*	**	72	9

* 113(RS-5, BR) & 114RS-2
 ** CHAMPAIGN & VERMILION
 CONTRACT NO. 90864



EXISTING TYPICAL CROSS SECTION

STATION	TO	STATION
115+65		131+35



NOTE:
 (OMISSION: STATION 121+00 TO STATION 126+00)