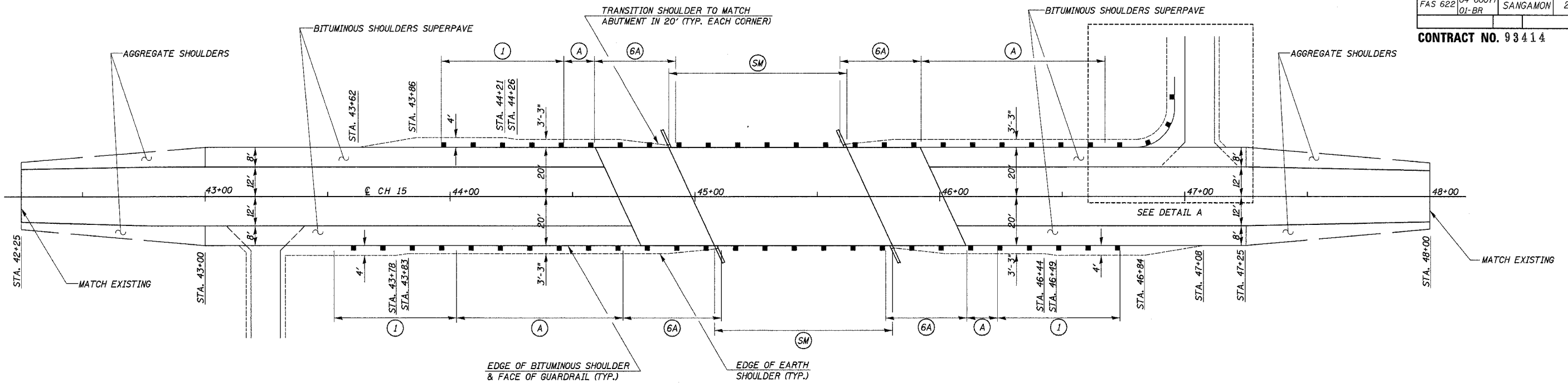


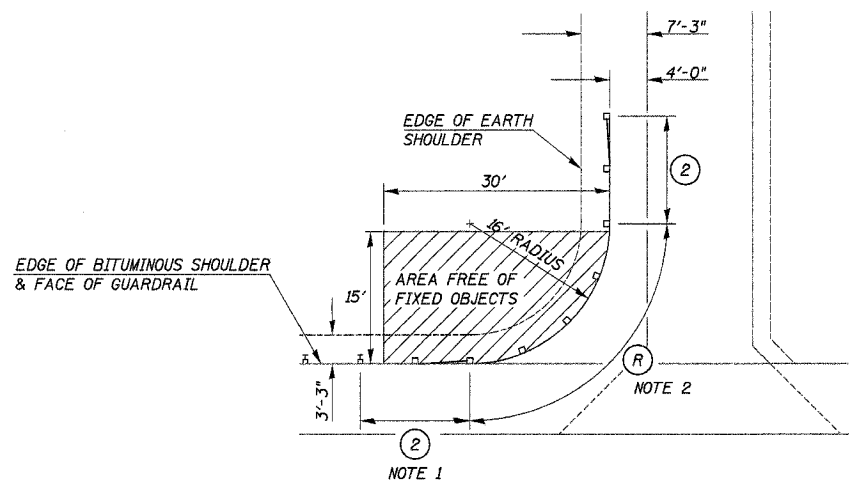
ROUTE NO.	SECTION	COUNTY	TOTAL SHEETS	SHEET NO.
FAS 622	04-00077 01-BR	SANGAMON	22	5

CONTRACT NO. 93414



GUARDRAIL & SHOULDER WIDENING PLAN

LEGEND	
(A)	STEEL PLATE BEAM GUARDRAIL, TYPE A
(R)	STEEL PLATE BEAM GUARDRAIL (SHORT RADIUS)
(2)	TRAFFIC BARRIER TERMINAL, TYPE 2
(6A)	TRAFFIC BARRIER TERMINAL, TYPE 6A
(I)	TRAFFIC BARRIER TERMINAL TYPE I, SPECIAL (TANGENT)
(SM)	STEEL BRIDGE RAIL, TYPE SM



DETAIL A

- NOTES
1. CONSTRUCT ACCORDING TO STANDARD 631011 FOR TRAFFIC BARRIER TERMINAL TYPE 2, EXCEPT DELETE END SECTION AND SPLICE INTO RADIUS GUARDRAIL.
 2. CONTROLLED RELEASING TERMINAL (CRT) POSTS AT 6'-3" SPACING.

STEEL PLATE BEAM GUARDRAIL, TYPE A		
LOCATION		FEET
LT STA 44+46.36	TO STA 44+58.86	12.5
LT STA 45+92.48	TO STA 46+67.48	75.0
RT STA 44+02.52	TO STA 44+77.52	75.0
RT STA 46+11.14	TO STA 46+23.64	12.5
TOTAL		175

TRAFFIC BARRIER TERMINAL TYPE I, SPECIAL (TANGENT)		
LOCATION		EACH
LT STA 43+96.36	TO STA 44+46.36	1
RT STA 43+52.52	TO STA 44+02.52	1
RT STA 46+23.64	TO STA 46+73.64	1
TOTAL		3

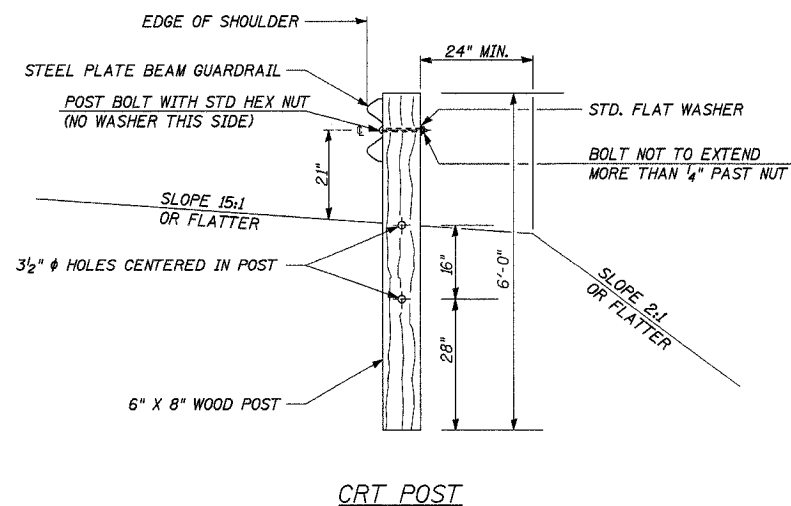
STEEL PLATE BEAM GUARDRAIL (SHORT RADIUS)		
LOCATION		FEET
LT STA 46+79.98	TO STA 46+95.98	25
TOTAL		25

TERMINAL MARKER - DIRECT APPLIED		
LOCATION		EACH
LT STA 43+96.36		1
RT STA 43+52.52		1
RT STA 46+73.64		1
TOTAL		3

TRAFFIC BARRIER TERMINAL, TYPE 2		
LOCATION		EACH
LT STA 46+67.48	TO STA 46+79.98	1
LT STA 46+95.98	TO STA 46+95.98	1
TOTAL		2

GUARDRAIL MARKERS		
LOCATION		EACH
LT STA 44+46.36	TO STA 46+95.98	4
RT STA 44+02.52	TO STA 46+23.64	4
TOTAL		8

TRAFFIC BARRIER TERMINAL, TYPE 6A		
LOCATION		EACH
LT STA 44+58.86	TO STA 44+92.09	1
LT STA 45+59.25	TO STA 45+92.48	1
RT STA 44+77.52	TO STA 45+10.75	1
RT STA 45+77.91	TO STA 46+11.14	1
TOTAL		4



CRT POST

GUARDRAIL & SHOULDER DETAILS	
FAS 622 (CH 15) SECTION 04-00077-01-BR SANGAMON COUNTY	
CUMMINS ENGINEERING CORPORATION	JOB #: 2157 FILE: 2157GRAIL DATE: 3/16/06