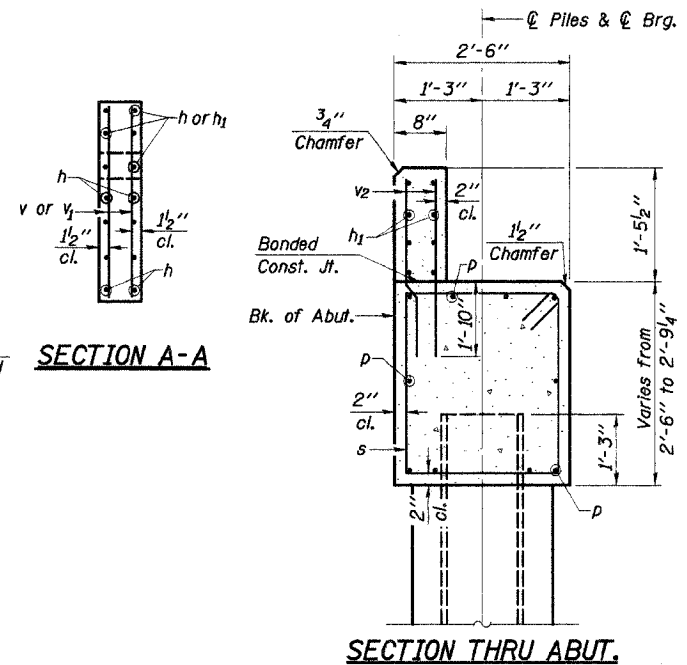
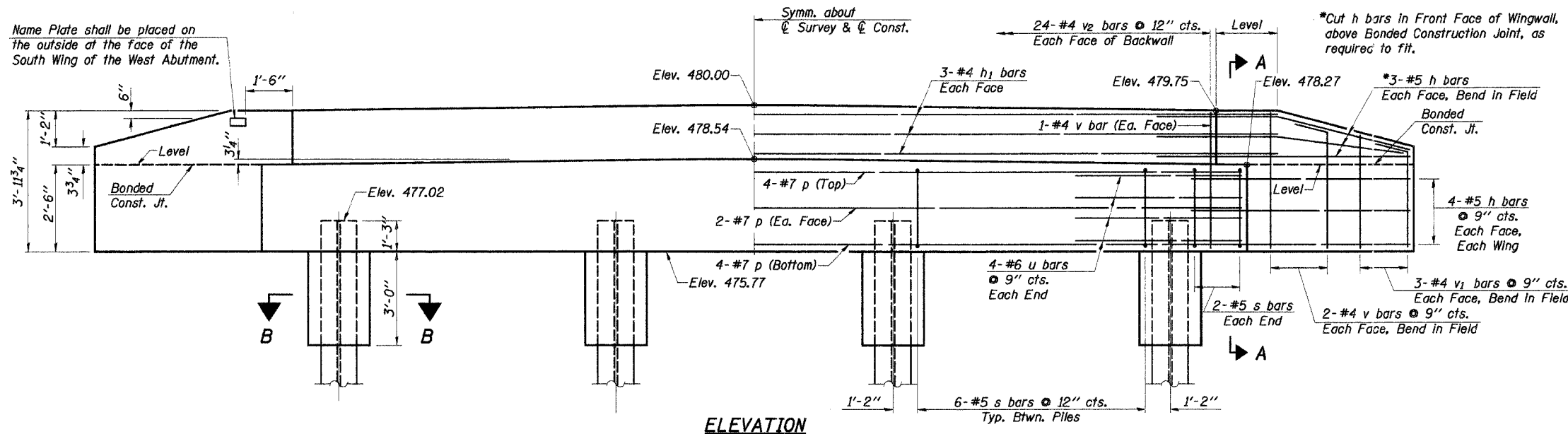
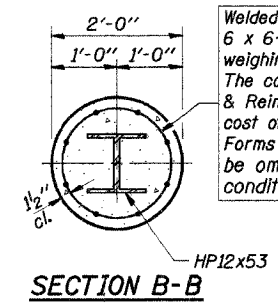
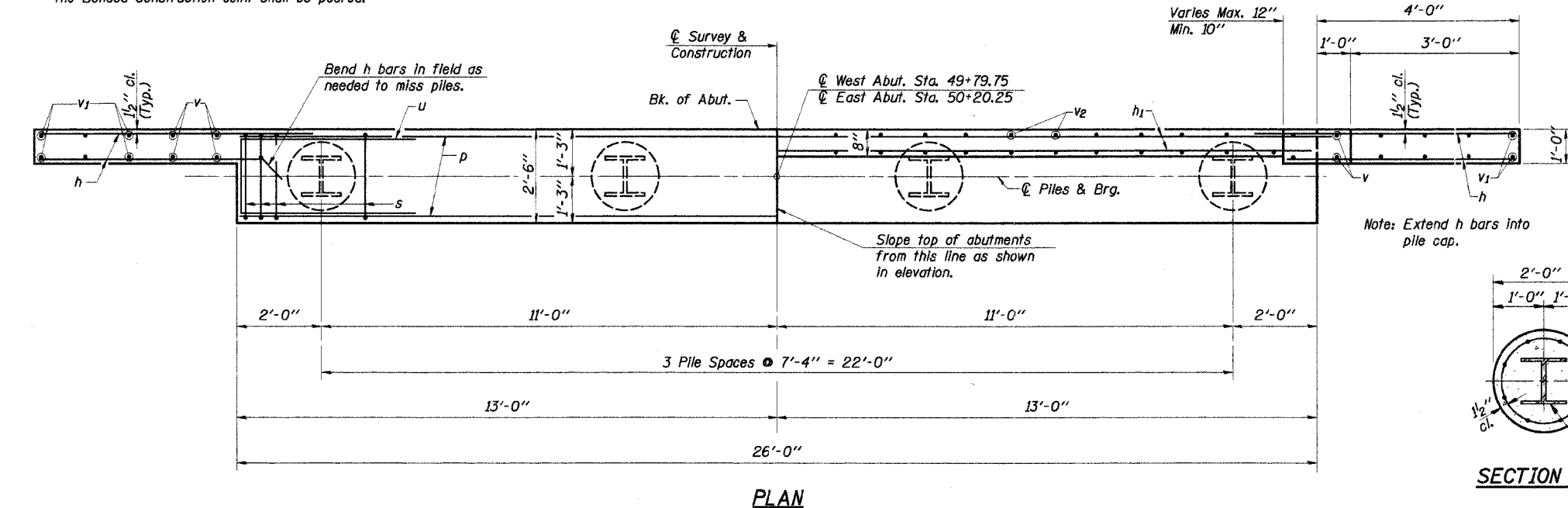


ROUTE NO.	SECTION	COUNTY	TOTAL SHEETS	SHEET NO.
T.R. 33JA	99-04127-00-BR	CLAY	11	7
ROAD DIST.	ILLINOIS		HARTER	
CONTRACT NO. 95454				



Note: After beams are in place and dowel rods grouted, the backwall and the portions of the wingwalls above the Bonded Construction Joint shall be poured.



Welded wire fabric 6 x 6-W4.0 x W4.0 weighing 58#/100 sq. ft. The cost of Excavation & Reinf. is incidental to the cost of Concrete Encasement. Forms for Encasement may be omitted when soil conditions permit.

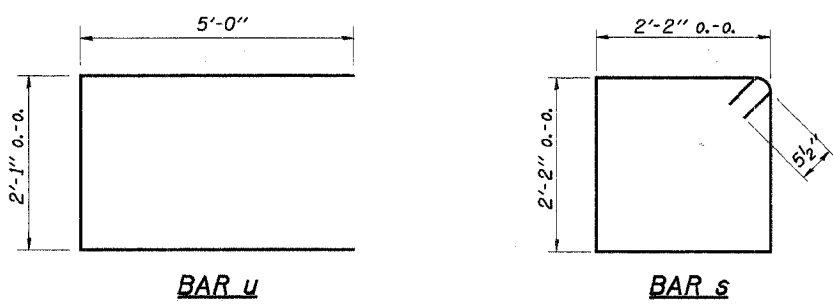
**2 ABUTMENTS
BILL OF MATERIAL**

Bar	No.	Size	Length	Shape
h	56	#5	5'-6"	—
h1	12	#4	27'-6"	—
p	20	#7	25'-8"	—
s	44	#5	9'-7"	□
u	16	#6	12'-1"	—
v	24	#4	3'-8"	—
v1	24	#4	3'-0"	—
v2	96	#4	3'-2"	—
Concrete Structures	Cu. Yd.	16.8		
Reinforcement Bars	Pound	2,640		
Name Plates	Each	1		
Test Pile Steel	Each	2		
Steel Piles HP12x53	Foot	96		
Concrete Encasement	Cu. Yd.	2.8		

PILE DATA

Type..... Steel Piles HP12x53
 No. Req'd. (2 Abuts.)..... *8
 Capacity..... 48 Tons/Pile
 Est. Length..... 18 Feet/Pile W. Abut.
 14 Feet/Pile E. Abut.

*Includes 1 Test Pile to be driven in a permanent location at Each Abutment.



DESIGNED	F.J.S.
CHECKED	S.F.M.
DRAWN	S.A.P.
CHECKED	S.F.M.

ABUTMENTS

SECTION 99-04127-00-BR
 HARTER ROAD DISTRICT
 CLAY COUNTY
 STATION 50+00