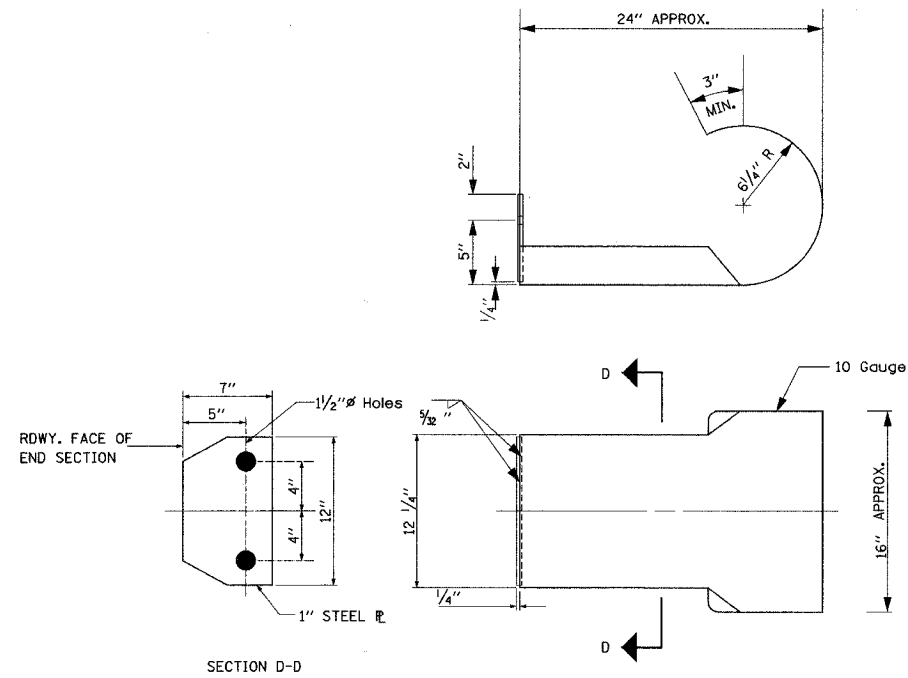


CURLED END SECTION DETAIL



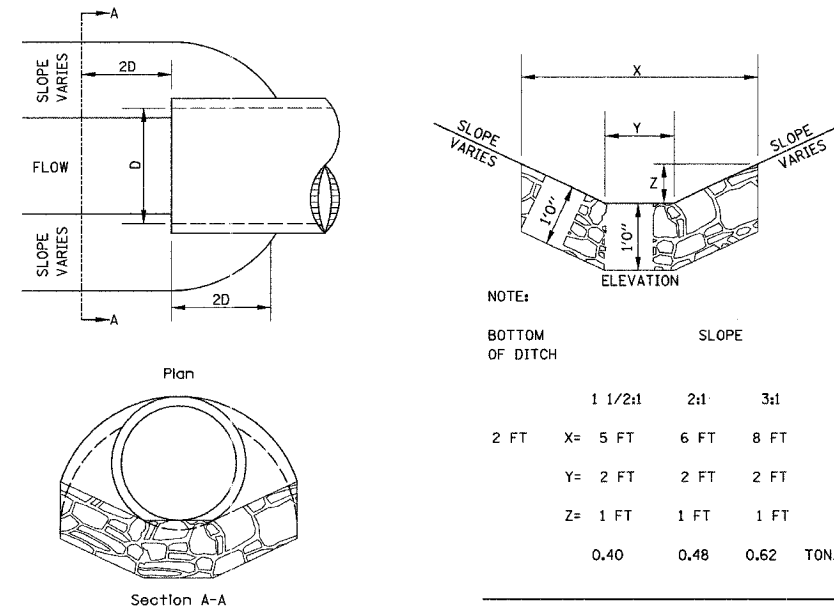
ALL OTHER STEEL SHAPES AND PLATES SHALL CONFORM TO THE REQUIREMENTS OF A.A.S.H.T.O. DESIGNATION M-183 EXCEPT POSTS AND ANGLES SHALL CONFORM TO A.A.S.H.T.O. M-223, GRADE 50.

BOLTS, CAP SCREWS, AND NUTS SHALL CONFORM TO THE REQUIREMENT OF A.S.T.M. DESIGNATION A-307 EXCEPT FOR HIGH STRENGTH BOLTS, NUTS, AND WASHERS NOTED WHICH SHALL CONFORM TO A.A.S.H.T.O. DESIGNATION M-164.

ALL BOLTS, NUTS, CAP SCREWS, WASHERS, AND LOCK WASHERS SHALL BE GALVINIZED IN ACCORDANCE WITH A.A.S.H.T.O. DESIGNATION M-232.

ALL FIELD DRILLED HOLES SHALL BE COATED WITH AN APPROVED ZINC RICH PAINT BEFORE ERRECTION.

STONE RIPRAP DITCH DESIGN



NOTE: FOR PLACEMENT, QUALITY GRADATION AND OTHER MISCELLANEOUS REQUIREMENTS FOR STONE RIPRAP DITCH-SEE SPECIAL PROVISIONS.

NOTE:

BOTTOM OF DITCH	SLOPE		
	1 1/2:1	2:1	3:1
2 FT	X= 5 FT	6 FT	8 FT
	Y= 2 FT	2 FT	2 FT
	Z= 1 FT	1 FT	1 FT
	0.40	0.48	0.62 TON/LIN. FT

	1 1/2:1	2:1	3:1
3 FT	X= 6 FT	7 FT	9 FT
	Y= 3 FT	3 FT	3 FT
	Z= 1 FT	1 FT	1 FT
	0.48	0.56	0.70 TON/LIN. FT

	1 1/2:1	2:1	3:1
4 FT	X= 7 FT	8 FT	10 FT
	Y= 4 FT	4 FT	4 FT
	Z= 1 FT	1 FT	1 FT
	0.56	0.64	0.78 TON/LIN. FT