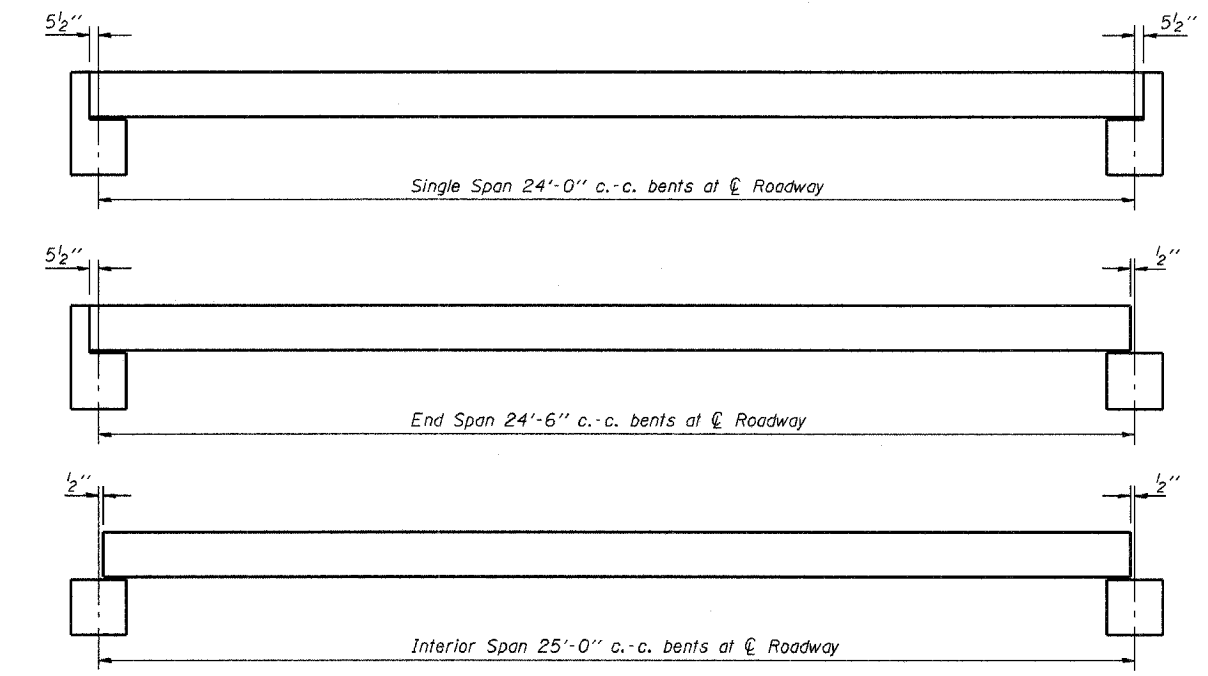
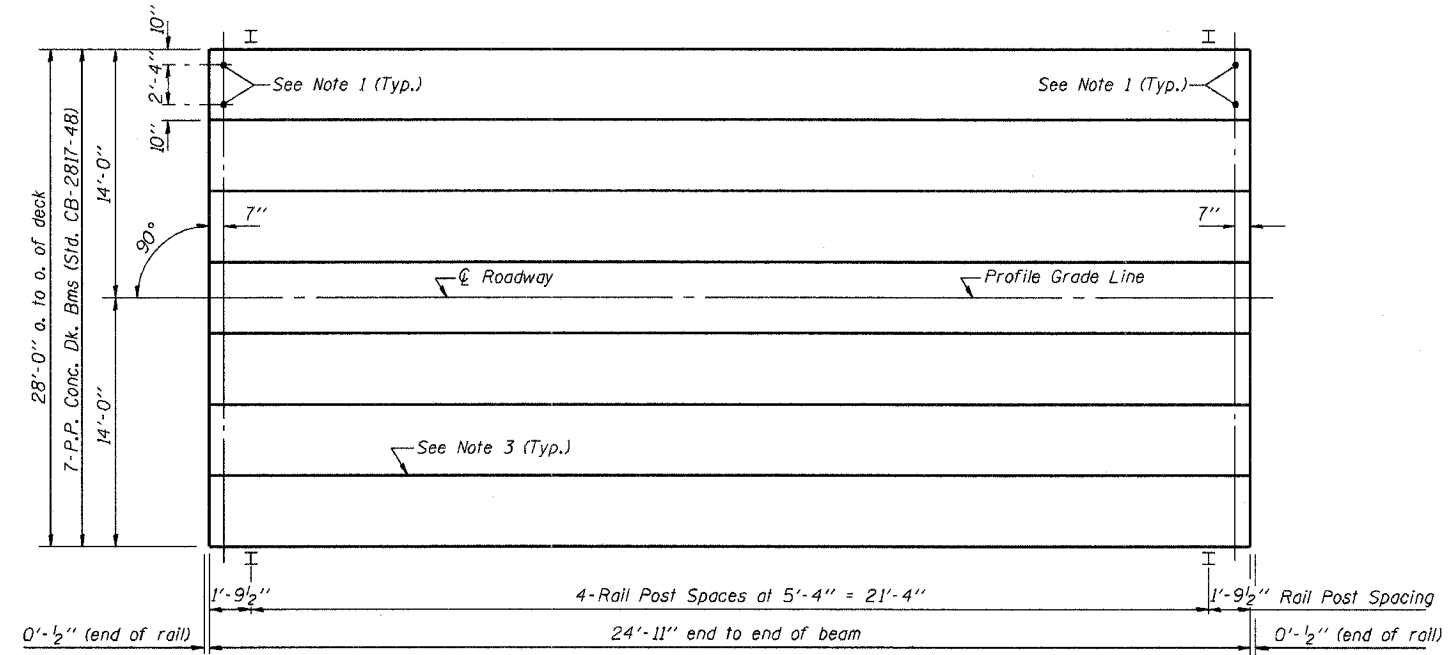


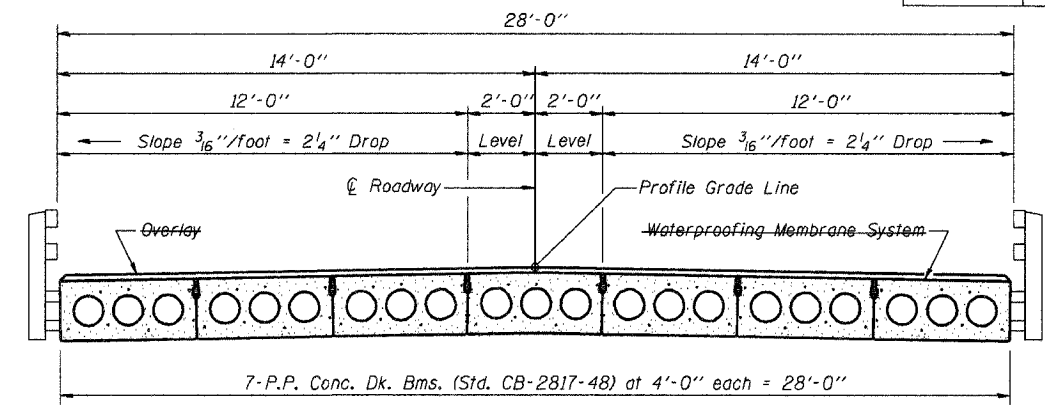
ROUTE NO.	SECTION	COUNTY	TOTAL SHEETS	SHEET
05-04118-00-BR	CRAWFORD	10	2	
STA.	TO STA.			
FED. ROAD DIST. NO.	ILLINOIS	PROJECT		



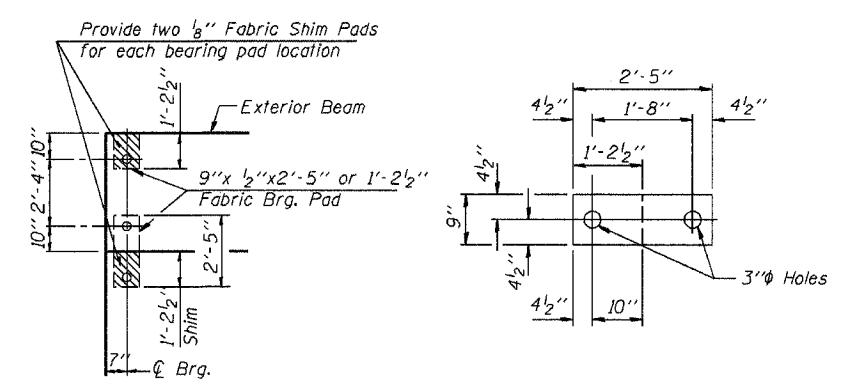
TYPICAL ELEVATIONS



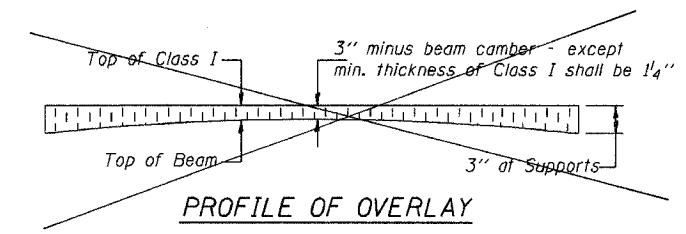
PLAN



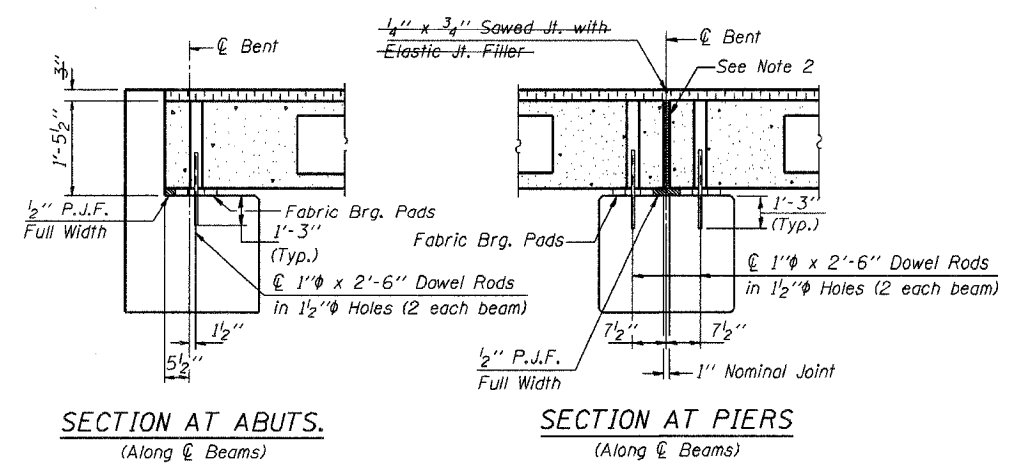
CROSS SECTION



1/2" FABRIC BRG. PAD DETAILS



PROFILE OF OVERLAY



SECTION AT ABUTS.
(Along centerline of Beams)

SECTION AT PIERS
(Along centerline of Beams)

NOTES

1. After beams have been erected, holes shall be drilled into substructure and anchor dowels placed. Dowel holes shall be filled with non-shrink grout to top of beam and allowed to cure min. 24 hrs. prior to grouting the shear keys.
2. Nominal 1" joint at centerline of Pier shall be filled with non-shrink grout.
3. Longitudinal keys shall be grouted with non-shrink grout.

QUANTITIES FOR ONE SPAN

P.P. Conc. Dk. Bm. 17" Dp.	700 Sq. Ft.
Steel Railing	50 Ft.
Waterproofing Membrane System	77.8 Sq. Yds.
Portland Cement Mortar	-150 Ft.
Fairing Course	-150 Ft.

Note: Quantity of overlay for one span = 12.8 Tons

P.P.C. DECK BEAM
SUPERSTRUCTURE

28' RDWY.	17" BMS.	25' SPAN	0° SKEW
STANDARD CS-2817-25			

Illinois Department of Transportation

PASSED APRIL 4, 2005
 Thomas S. Romagosa
 Engineer of Bridge Design

APPROVED APRIL 4, 2005
 Ralph E. Anderson
 Engineer of Bridges and Structures

108E-1-1 (03/05)