

RTE.	SECTION	COUNTY	TOTAL SHEETS	SHEET NO.
T.R. 140	*	SHELBY	11	2

PROJECT BROS-173(134)

* 00-09118-00-BR

SUMMARY OF QUANTITIES

Item	Unit	Quantity
20100110 Tree Removal (6 to 15 Units Diameter)	Unit	53
20100210 Tree Removal (Over 15 Units Diameter)	Unit	140
20200100 Earth Excavation	Cu. Yd.	843
20300100 Channel Excavation	Cu. Yd.	866
* 25000200 Seeding Class 2	Acre	0.7
25000400 Nitrogen Fertilizer Nutrient	Pound	63
25000500 Phosphorus Fertilizer Nutrient	Pound	63
25000600 Potassium Fertilizer Nutrient	Pound	63
* 25100115 Muich, Method 2	Acre	0.7
* 28000250 Temporary Erosion Control Seeding	Pound	100
28000300 Temporary Ditch Checks	Each	4
28000500 Inlet and Pipe Protection	Each	2
28100807 Stone Dumped Riprap, Class A4	Ton	391
28200200 Filter Fabric	Sq. Yd.	610
* 40200800 Aggregate Surface Course, Type B	Ton	518
* 50100100 Removal of Existing Structures	Each	1
50200100 Structure Excavation	Cu. Yd.	114
50300225 Concrete Structures	Cu. Yd.	75.6
50400305 Precast Prestressed Concrete Deck Beams (17" Depth)	Sq. Ft.	2100
50800105 Reinforcement Bars	Pound	5755
50900205 Steel Railing, Type S1	Foot	178
51201000 Furnishing Metal Pile Shells 12"	Foot	644
51202600 Driving and Filling Shells	Foot	644
51203200 Test Pile Metal Shells	Each	3
51500100 Name Plates	Each	1
* 54200220 Pipe Culverts, Class D, Type 1 15"	Foot	80
* 67100100 Mobilization	L. Sum	1
78201000 Terminal Marker - Direct Applied	Each	4
* X5020501 Underwater Structure Excavation Protection - Location 1	Each	1
* X5020502 Underwater Structure Excavation Protection - Location 2	Each	1

* See Special Provisions

Construction Type Code: X080

GENERAL NOTES

Where section or subsection stones are encountered, the Engineer shall be notified before such stones are removed. The contractor shall protect and preserve all property markers and monuments until the owner, authorized surveyor, or agent has witnessed or referenced their location.

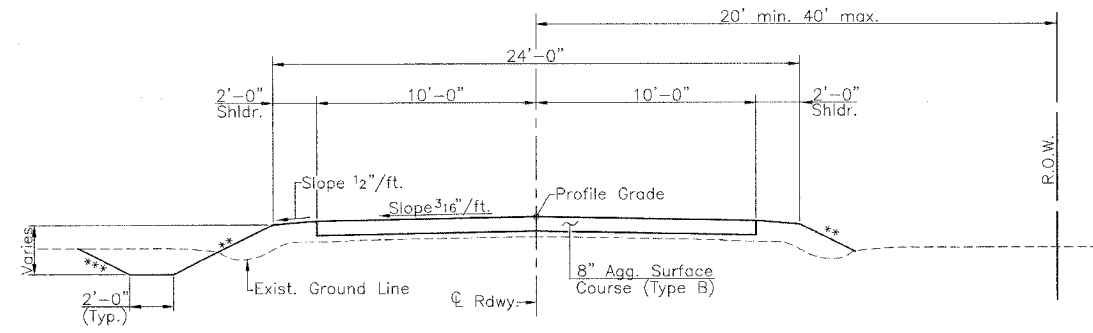
Areas to be seeded shall consist of all disturbed earth surfaces within the right of way as directed by the Engineer.

EARTHWORK SCHEDULE

Location	Earth Excavation	Earth Excavation Adjusted For Shrinkage	Embankment	Earthwork Balance Waste (+) or Shortage (-)
	Cubic Yard	Cubic Yard	Cubic Yard	Cubic Yard
Sta. 1+85 to Sta. 2+00	12	9	6	+3
Sta. 2+00 to Sta. 3+00	174	131	187	-56
Sta. 3+00 to Sta. 3+80	166	125	156	-31
Sta. 3+80 to Sta. 3+91.75	26	19	11	+8
Bridge Omission - Sta. 3+91.75 to Sta. 4+80.75				
Sta. 4+80.75 to Sta. 5+00	4	3	20	-17
Sta. 5+00 to Sta. 6+00	131	98	168	-70
Sta. 6+00 to Sta. 7+00	261	196	121	+75
Sta. 7+00 to Sta. 7+50	69	51	3	+48
Total	843	632	672	-40****

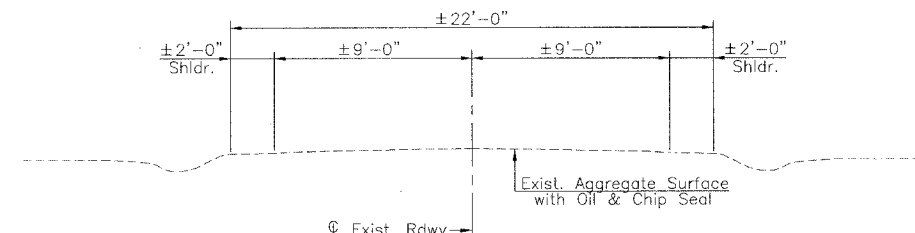
**** No Furnished Excavation will be required. Cost to dispose of Excess Channel, Earth or Structure Excavation shall be included in the contract unit price for Earth Excavation.

SUMMARY OF QUANTITIES
 DETAILS & TYPICAL SECTIONS
 T.R. 140 OVER MITCHELL CREEK
 SECTION 00-09118-00-BR
 SHELBY COUNTY

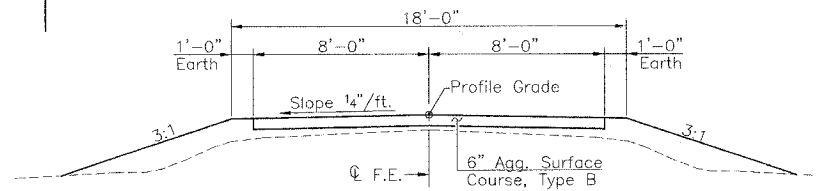


- ** 3:1 Fill ≤6'
- 2:1 Fill >6'
- *** 3:1 Fill ≤10'
- 2:1 Fill >10'

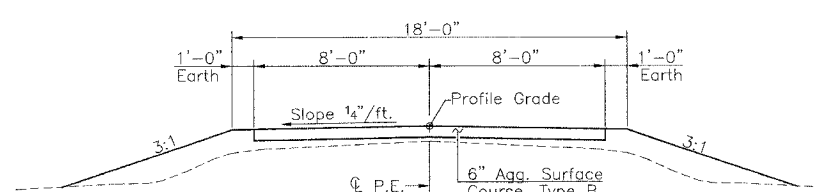
PROPOSED CROSS SECTION



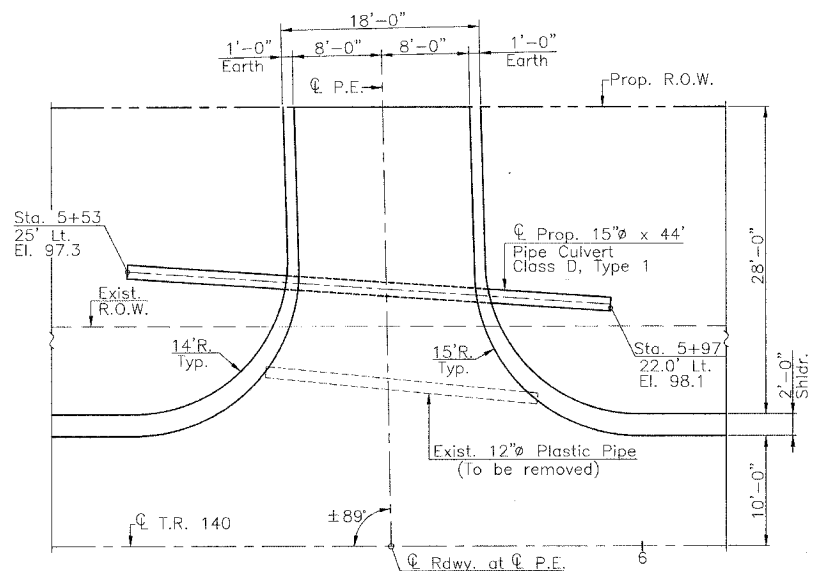
EXISTING CROSS SECTION



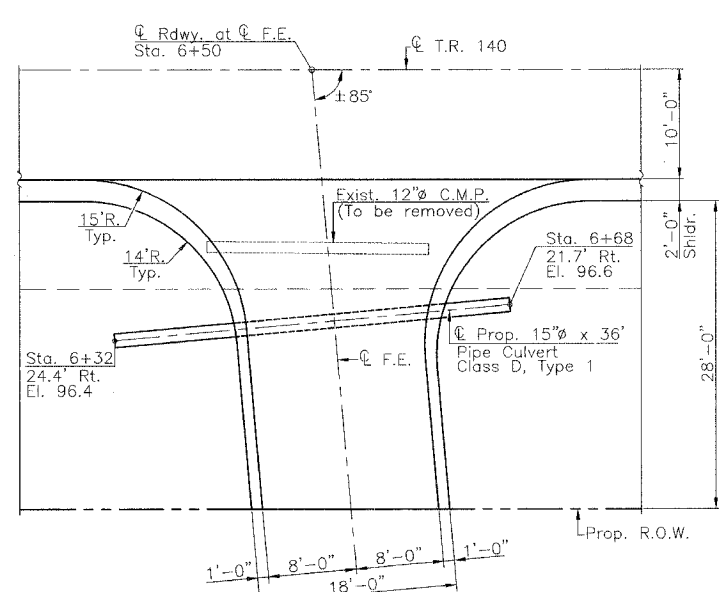
TYPICAL FIELD ENTRANCE
(Sta. 6+50 Rt.)



TYPICAL PRIVATE ENTRANCE
(Sta. 5+77 Lt.)



PLAN
(Private Entrance Sta. 5+77 Lt.)



PLAN
(Field Entrance Sta. 6+50 Rt.)

FILE NAME: SC-1450 (REV. 3/27/05)