

RTE.	SECTION	COUNTY	TOTAL SHEETS	SHEET NO.
T.R. 140	*	SHELBY	11	7
PROJECT BROS-173(134)				
* 00-09118-00-BR				

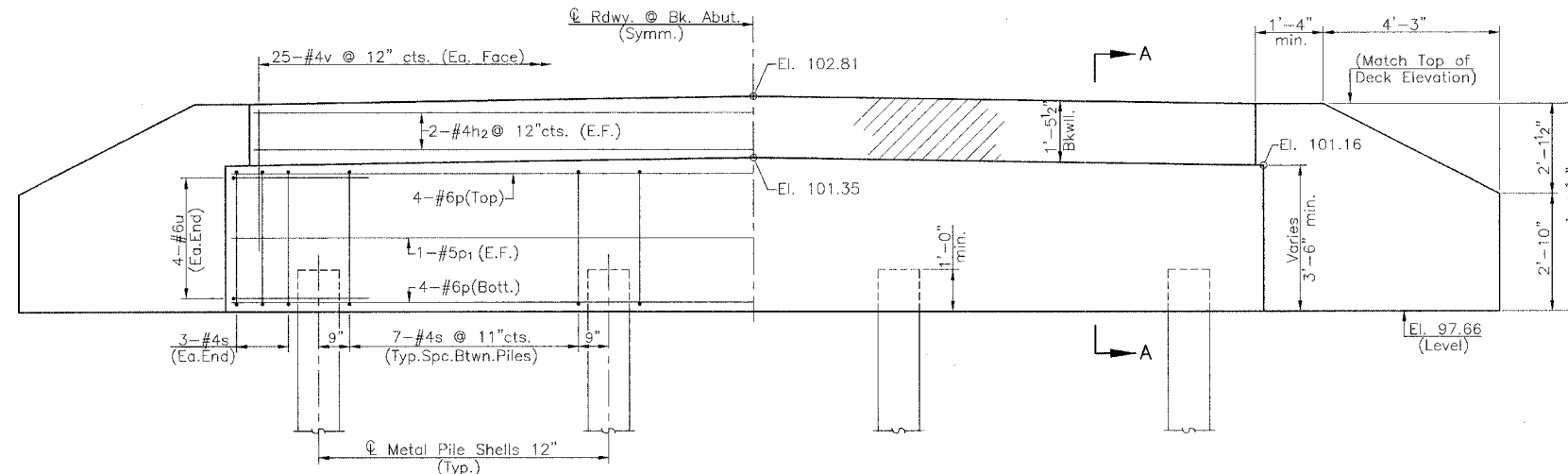
**NOTES**

All exposed edges shall have standard 3/4" chamfer.  
 Space reinforcement in cap to miss beam anchor dowels.  
 Wingwalls and Backwalls may, at the contractor's option, be cast monolithically.

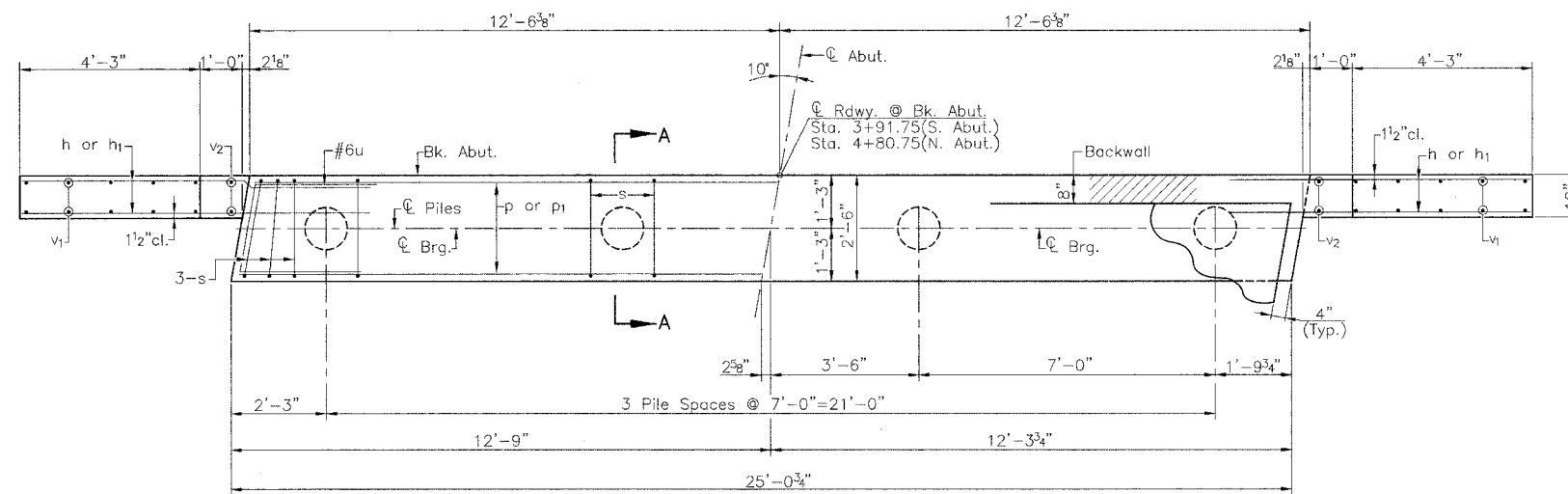
**PILE DATA**

	S. Abut.	N. Abut.
Type:	Metal Shells 12"	Metal Shells 12"
Capacity:	25 Ton	25 Ton
Est. Length:	31'	40'
No. Req'd.:	4	3 + 1 Test Pile

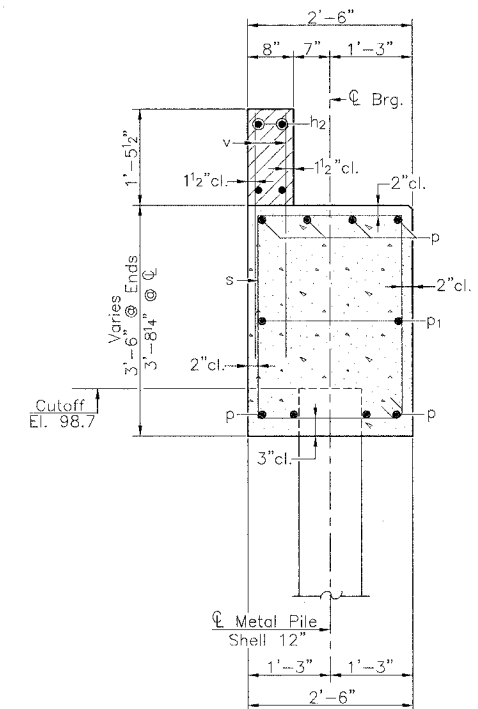
Note: Hatched area and wingwalls shall be poured after deck beams are anchored in place. Quantity for Concrete Structures is included in Bill of Material, this sheet.



**ELEVATION**  
 (S. Abut. Looking South)  
 (N. Abut. Looking North)



**PLAN**

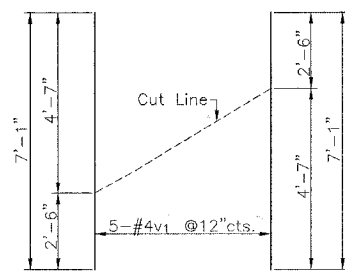


**SECTION A-A**

**TWO ABUTMENTS  
 BILL OF MATERIAL**

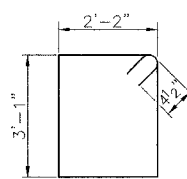
BAR	NO.	SIZE	LENGTH	SHAPE
h	24	#5	7'-6"	—
h1	24	#5	5'-0"	—
h2	8	#4	27'-0"	—
p	16	#6	24'-8"	—
p1	4	#5	24'-8"	—
s	54	#4	11'-3"	□
u	16	#6	10'-1"	—
v	100	#4	2'-9"	—
v1	20	#4	7'-1"	—
v2	8	#4	4'-7"	—

Concrete Structures	Cu. Yd.	21.8
Reinforcement Bars	Pound	2105
Furnishing Metal Pile Shells 12"	Foot	244
Driving and Filling Shells	Foot	244
Test Pile, Metal Shells	Each	1
Structure Excavation	Cu. Yd.	76

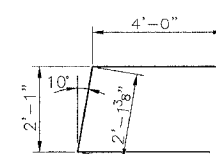


**v1 - BAR CUT DIAGRAM**

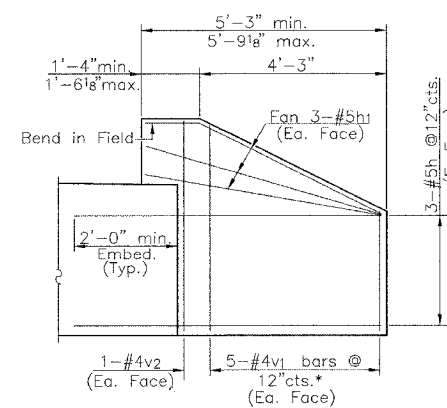
Order v1 bars full length; Lay out in field according to diagram. Cut v1 bars along cut line. Use remainder of each bar in opposite face.



**BAR s**



**BAR u**



**WINGWALL ELEVATION**

(Showing Reinforcement)

\* See v1-bar cut diagram