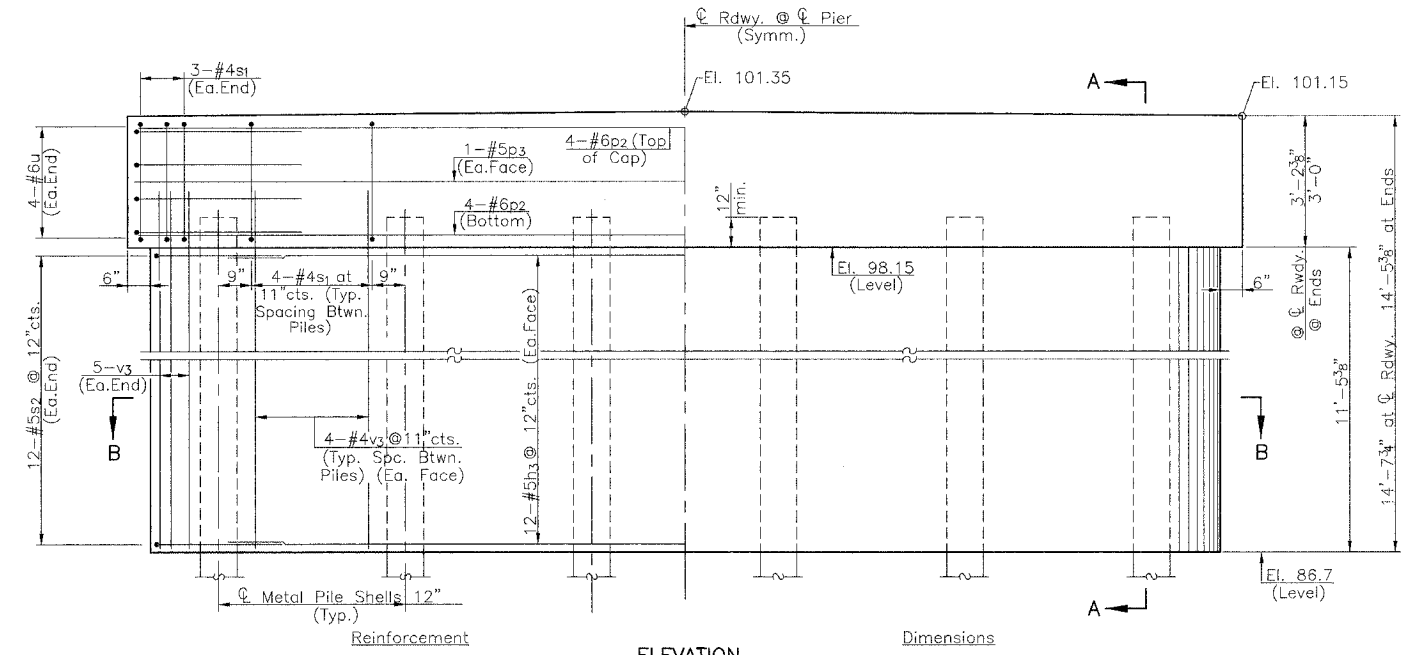
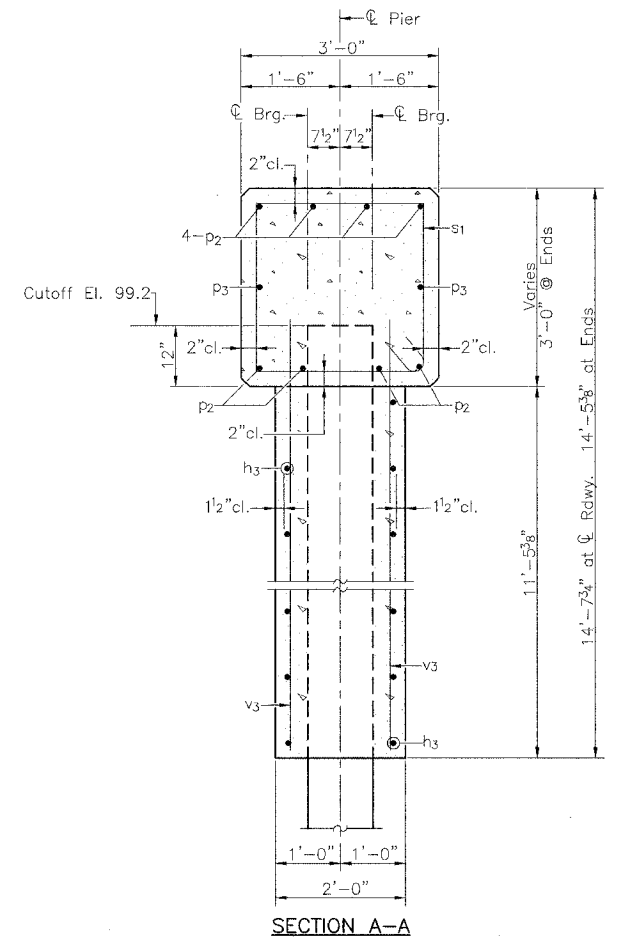


| RTE. | SECTION | COUNTY | TOTAL SHEETS | SHEET NO. |
|-----------------------|---------|--------|--------------|-----------|
| T.R.140 | * | SHELBY | 11 | 8 |
| PROJECT BROS-173(134) | | | | |
| * 00-09118-00-BR | | | | |



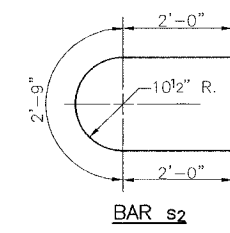
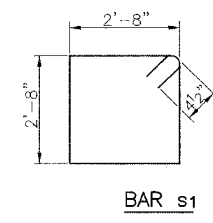
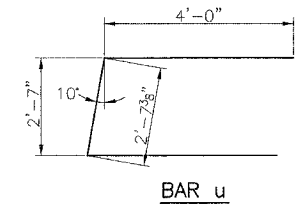
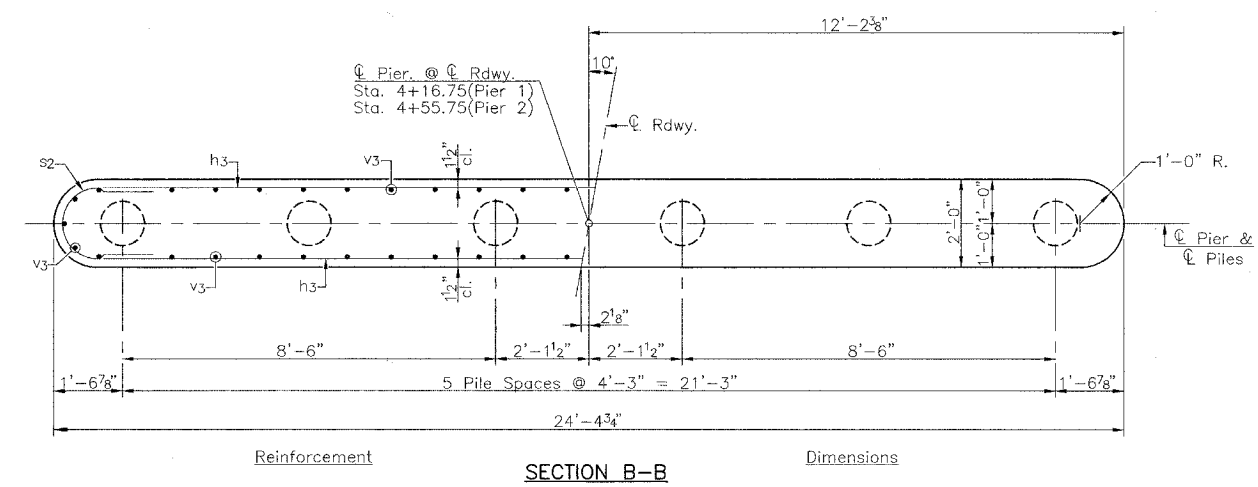
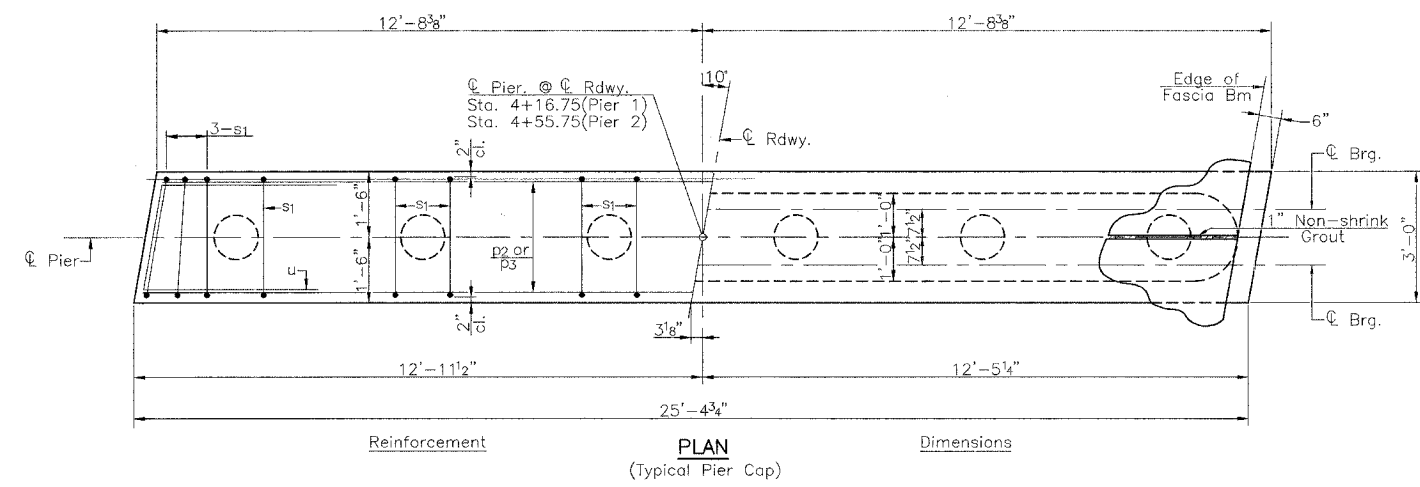
PILE DATA

| | Pier 1 | Pier 2 |
|--------------|------------------|------------------|
| Type: | Metal Shells 12" | Metal Shells 12" |
| Capacity: | 33 Ton | 33 Ton |
| Est. Length: | 33' | 47' |
| No. Req'd: | 5+1 Test Pile | 5+1 Test Pile |



NOTES

All exposed concrete edges shall have standard 3/4" chamfer except as noted.
 Space reinforcement in pier caps to miss beam anchor dowels.



TWO PIERS BILL OF MATERIAL

| BAR | NO. | SIZE | LENGTH | SHAPE |
|---|-----|------|--------|-------|
| h3 | 48 | #5 | 22'-4" | — |
| P2 | 16 | #6 | 25'-1" | — |
| P3 | 4 | #5 | 25'-1" | — |
| s1 | 52 | #4 | 11'-5" | □ |
| s2 | 48 | #5 | 6'-9" | — |
| u | 16 | #6 | 10'-8" | — |
| v3 | 100 | #4 | 12'-6" | — |
| Concrete Structures Cu. Yd. 53.8 | | | | |
| Reinforcement Bars Pound 3650 | | | | |
| Furnishing Metal Shell Piles Foot 400 | | | | |
| Driving and Filling Piles Foot 400 | | | | |
| Test Pile Metal Shell Each 2 | | | | |
| Underwater Structure Excavation Protection- Location 1 (Pier 1) Each 1 | | | | |
| Underwater Structure Excavation Protection- Location 2 (Pier 2) Each 1 | | | | |
| Structure Excavation Cu. Yd. 38 | | | | |

PIERS
 T.R. 140 OVER MITCHELL CREEK
 SECTION 00-09118-00-BR
 SHELBY COUNTY