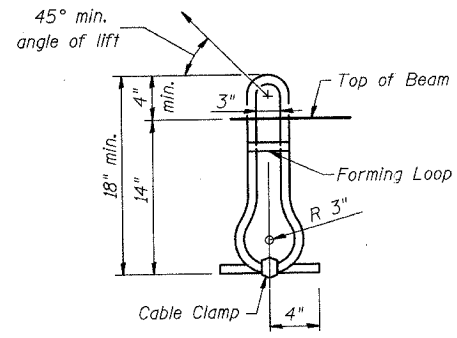
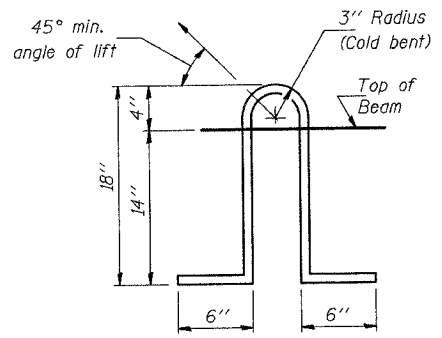
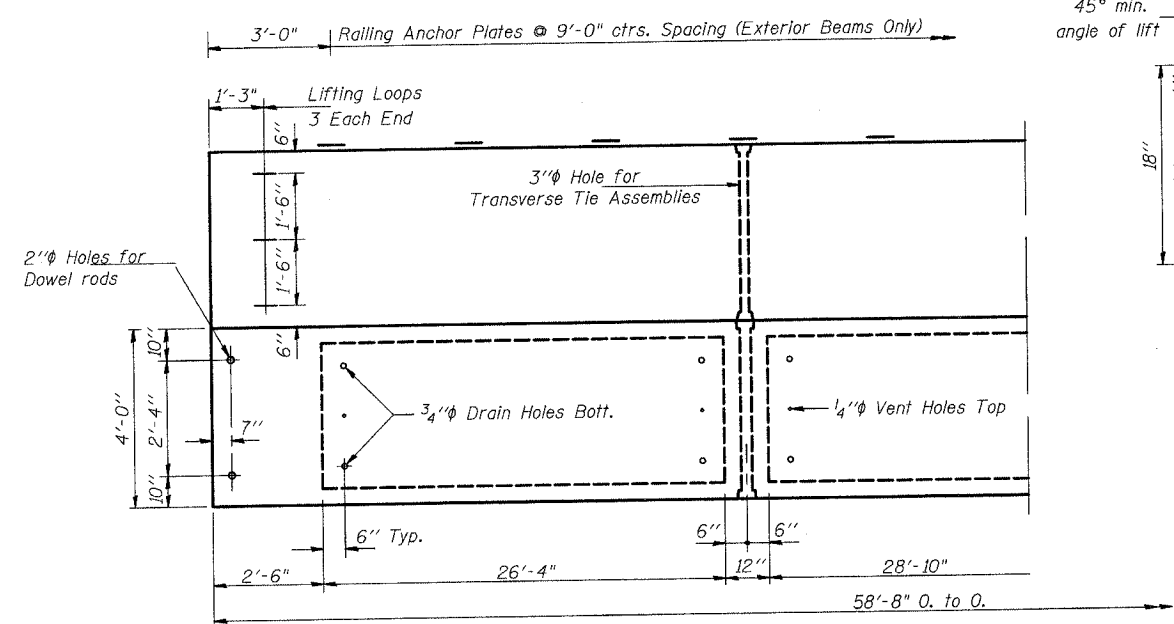
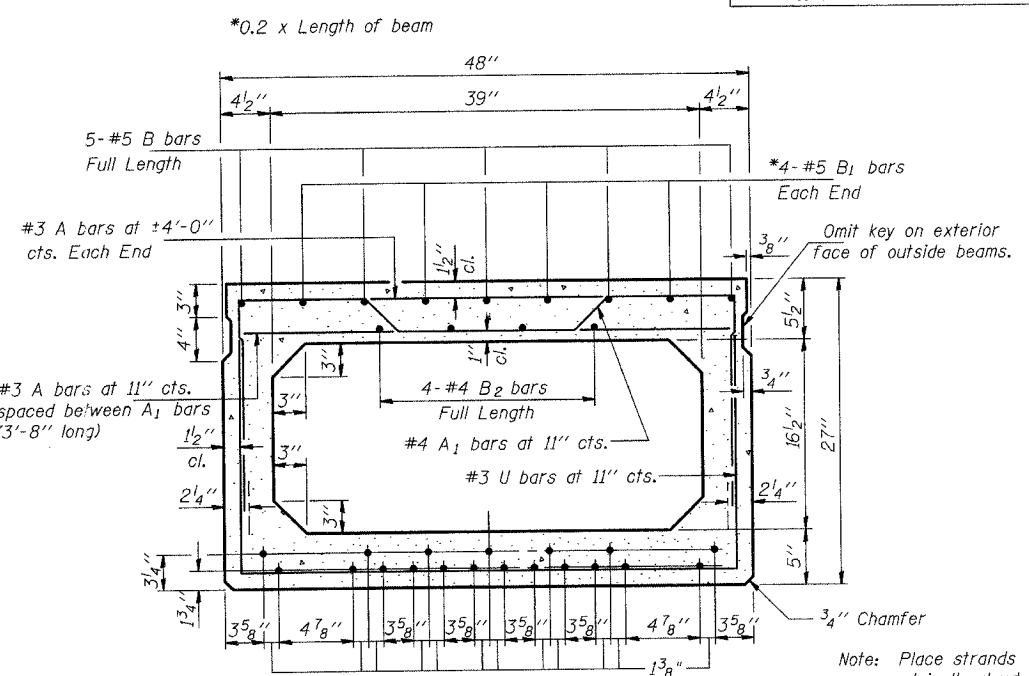
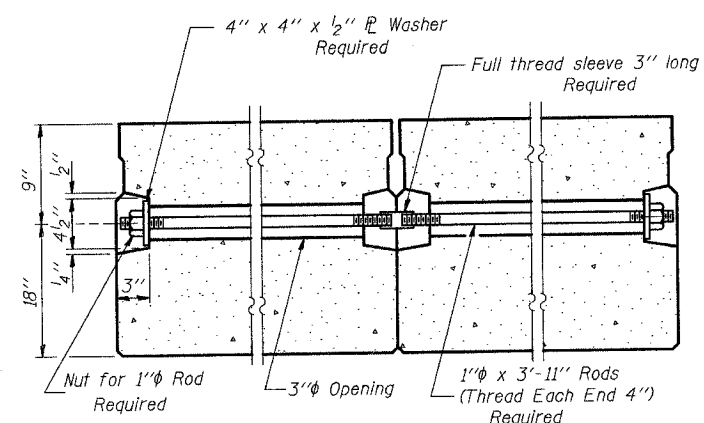
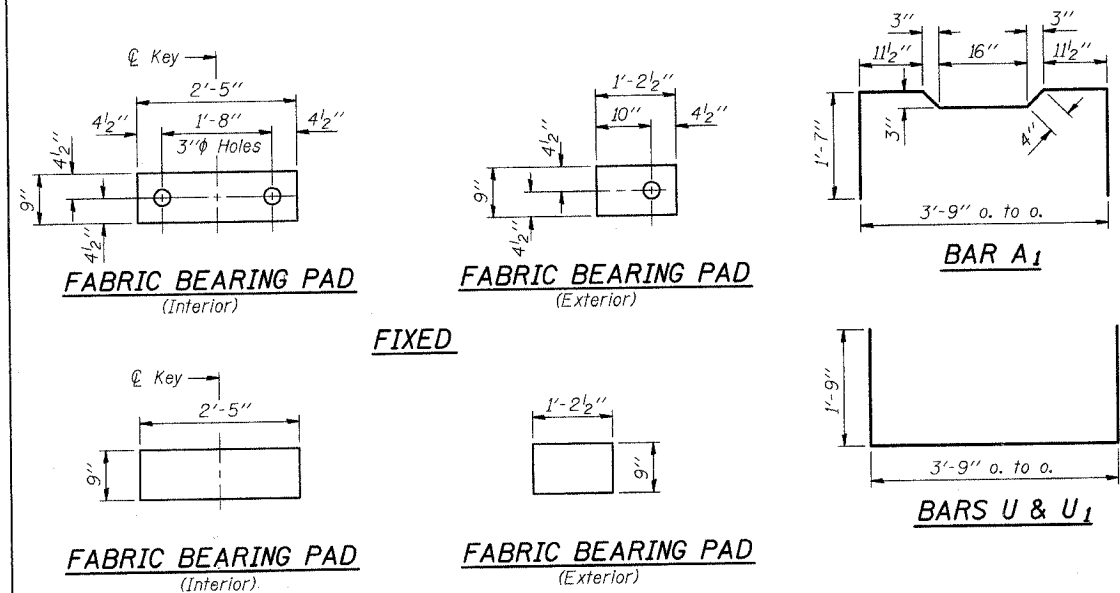
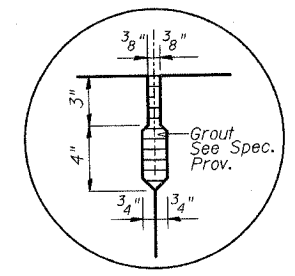
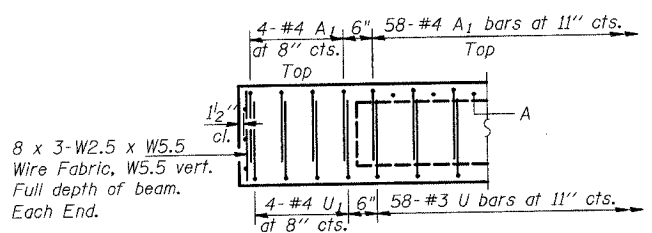
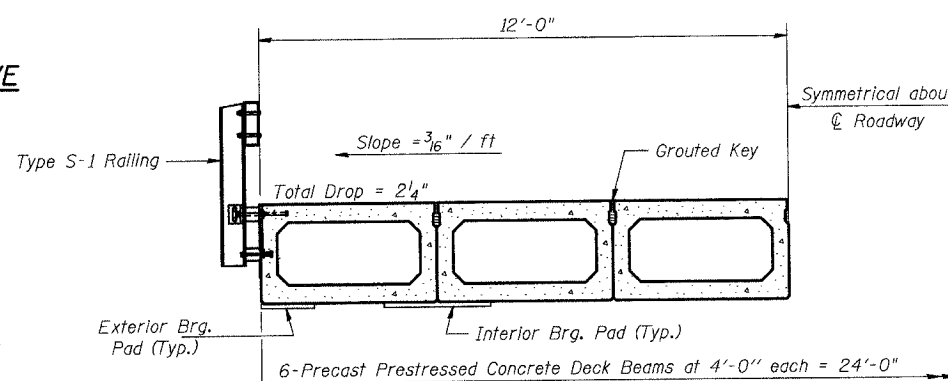


RTE.	SECTION	COUNTY	TOTAL SHEETS	SHEET NO.
TR183	99-01120-00-BR	SHELBY	14	5
STA.	10+00	TO STA.	20+00	



TYPICAL SECTION
 1/2" ϕ Strands Each Strand Stressed to 28,900 Lbs.
 12-Strands 1 3/4" up, 7-Strands 3/4" up



NOTES

- Prestressing steel shall be uncoated high strength, stress-relieved 7-wire strand, Grade 270. The nominal diameter shall be 1/2" and the nominal cross-sectional area shall be 0.153 sq. in.
- Lifting loops shall be 3/4" diameter, 6x25 class wire rope with fiber core and shall have a minimum ultimate tensile strength of 46,000 lbs. or three 1/2" ϕ -270 ksi strands, as shown.
- Reinforcement bars shall conform to the requirements of AASHTO M-31, M-42 or M-53 Grade 60.
- The bearing seat surfaces shall be adjusted by shimming to assure firm and even bearing. Two 1/8" fabric adjusting shims of the dimensions of the Exterior Bearing Pad shall be provided for each bearing.
- Keyway surfaces shall be cleaned to remove form oil or other bond breaking material prior to shipment of the beams. Cleaning shall be done by sandblasting the keyway areas between top of the beam and the bottom edge of the key.
- Required Release Strength, f'ci, shall be 4000 p.s.i.
 An equal substitution of the low-relaxation strands for the stress-relieved strands will be permitted.

BILL OF MATERIAL

Item	Unit	Qty.
Precast Prestressed Conc. Deck Bms.	Sq. Ft.	1408

REVISIONS	
NAME	DATE

ILLINOIS DEPARTMENT OF TRANSPORTATION
DECK BEAM DETAILS
 TR 183 OVER CLEAR CREEK
 SECTION 99-01120-00-BR
 SHELBY COUNTY STA. 14+95
 STRUCTURE NO. 087-3516

SCALE: N.T.S. DRAWN BY: BJF
 DATE: 04/08/03 CHECKED BY: MJS