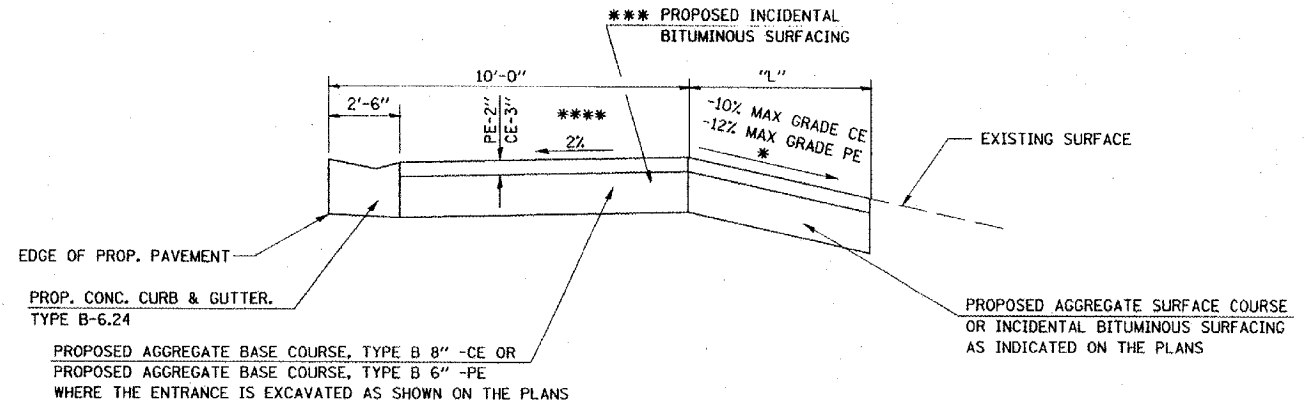
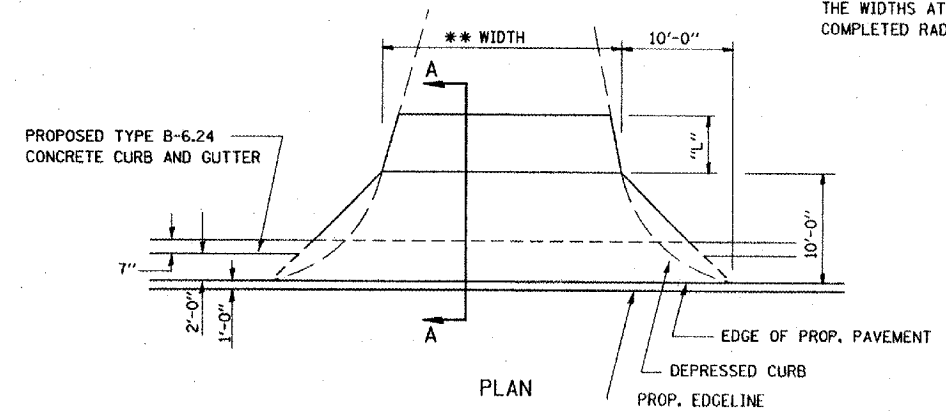


PROJECT NO.	SECTION	COUNTY	TOTAL SHEETS	SHEET NO.
9177	00-00007-01-PV	ST. CLAIR	40	22
STA.	TO STA.			
EXISTING CONDITIONS:				
CONTRACT NO. 97263				

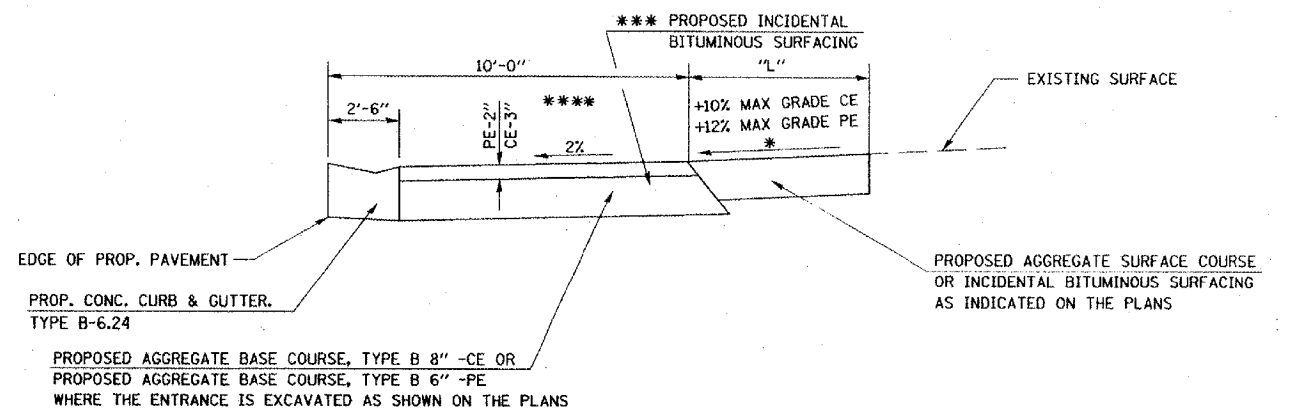
CURB AND GUTTER ENTRANCE DETAIL

ADJACENT TO TYPE B-6.24
 CONCRETE CURB AND GUTTER
 COMMERCIAL & PRIVATE ENTRANCES
 (INCLUDING SINN DRIVE & *142 SEIBERT RD)

** ALLOWABLE ENTRANCE WIDTHS:
 PRIVATE 12' TO 24'
 COMMERCIAL 35' MAXIMUM
 ALLOWABLE ENTRANCE WIDTH
 SHALL BE INTERPRETED TO BE
 THE WIDTHS AT THE SPECIFIED
 COMPLETED RADIUS.

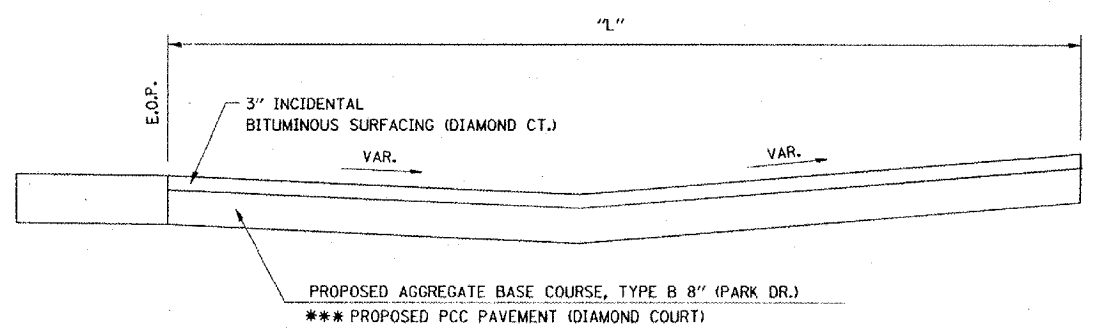
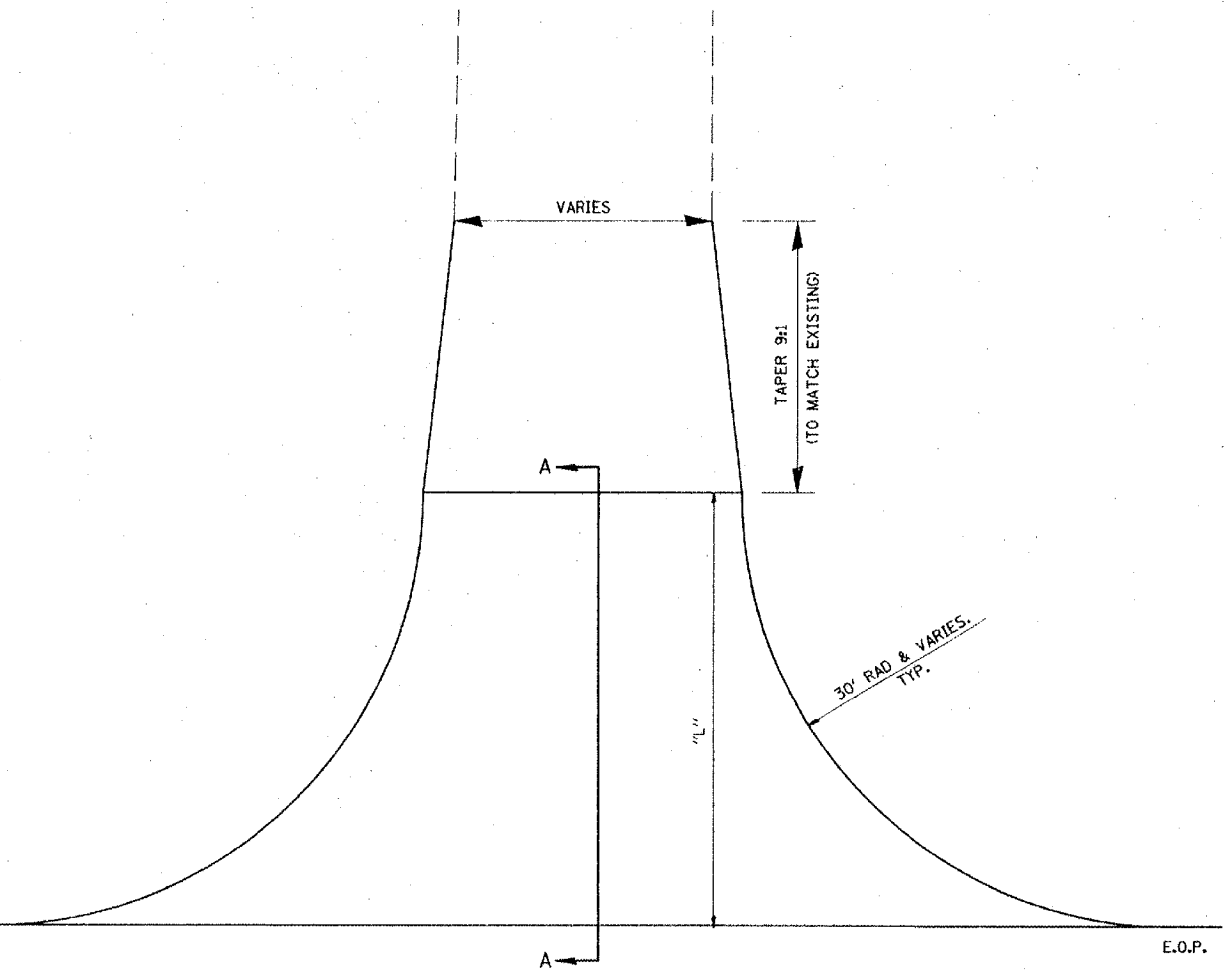


SECTION A-A WITH NEGATIVE GRADE



SECTION A-A WITH POSITIVE GRADE

DETAIL OF SIDE ROAD ENTRANCE
 (PARK DRIVE & DIAMOND CT.)



SECTION A-A

- * SEE CROSS SECTIONS FOR SLOPES
- *** FOR SIDE ROADS/ENTRANCES WITH EXISTING CONCRETE PAVEMENT OR THROUGH SIDEWALK, THE PROPOSED SIDE ROAD/ENTRANCE SHALL BE CONSTRUCTED WITH PORTLAND CEMENT CONCRETE DRIVEWAY PAVEMENT, 8"
- **** SEE CROSS SECTIONS FOR SLOPES AND LENGTHS AT STA 7+69.64 & STA 14+90.99

REVISIONS	
NAME	DATE

ILLINOIS DEPARTMENT OF TRANSPORTATION
URBAN ENTRANCE DETAILS
 SEIBERT ROAD
 SECTION 00-00007-01-PV
 ST. CLAIR COUNTY

SCALE: _____ DATE: _____ DRAWN BY: _____ CHECKED BY: _____

NOTES
 DIMS
 UNLESS
 STATED