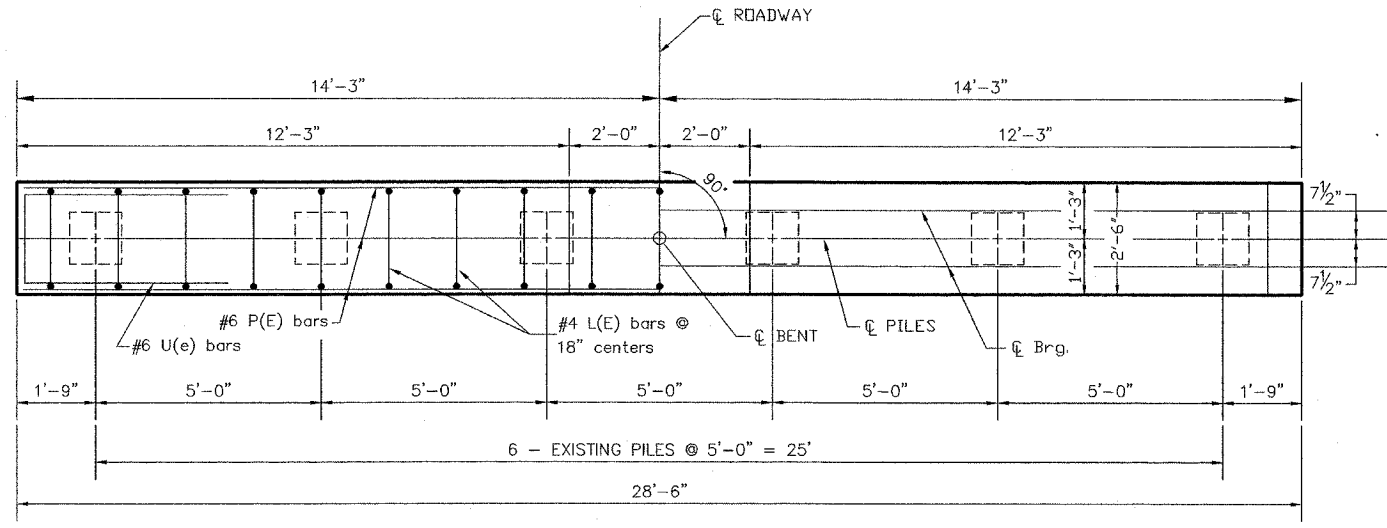
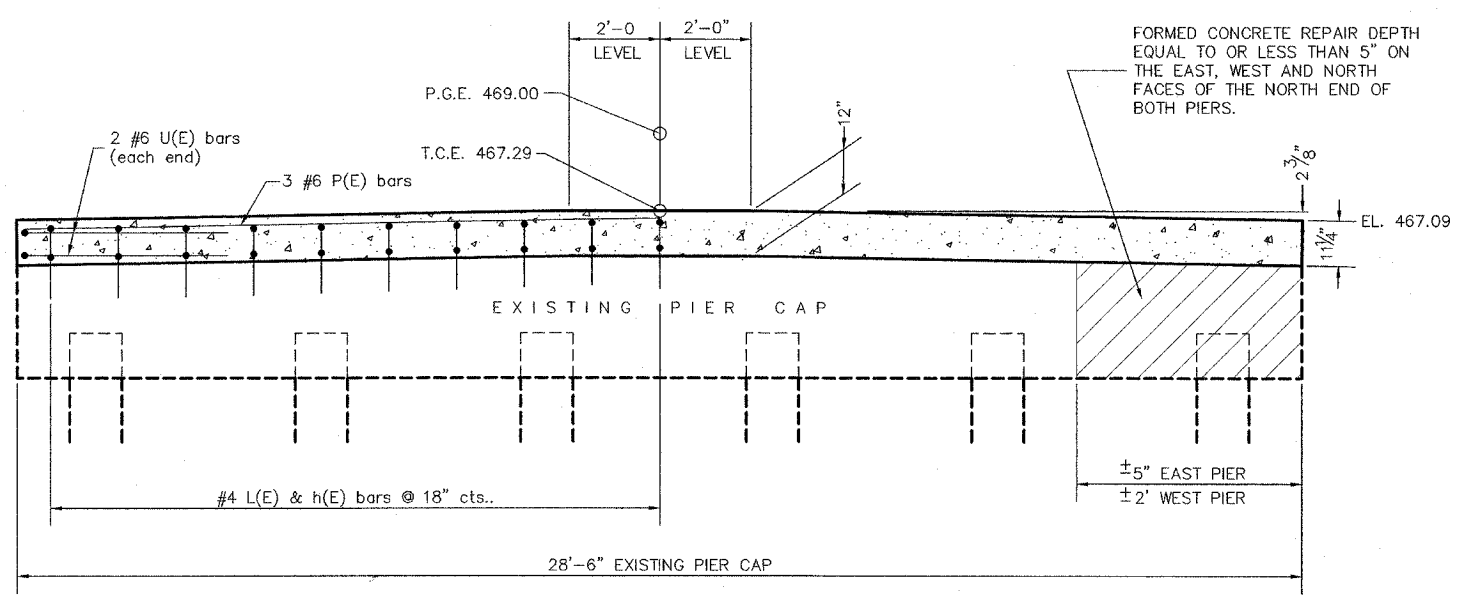


ROUTE NO.	SECTION	COUNTY	TOTAL SHEETS	SHEET NO.
F.A.S. 782 (KEYSPORT ROAD)	05-00084-00-BR 05-00079-00-BR	CLINTON & BOND	13	7

CONTRACT NO. 97272



PLAN



ELEVATION

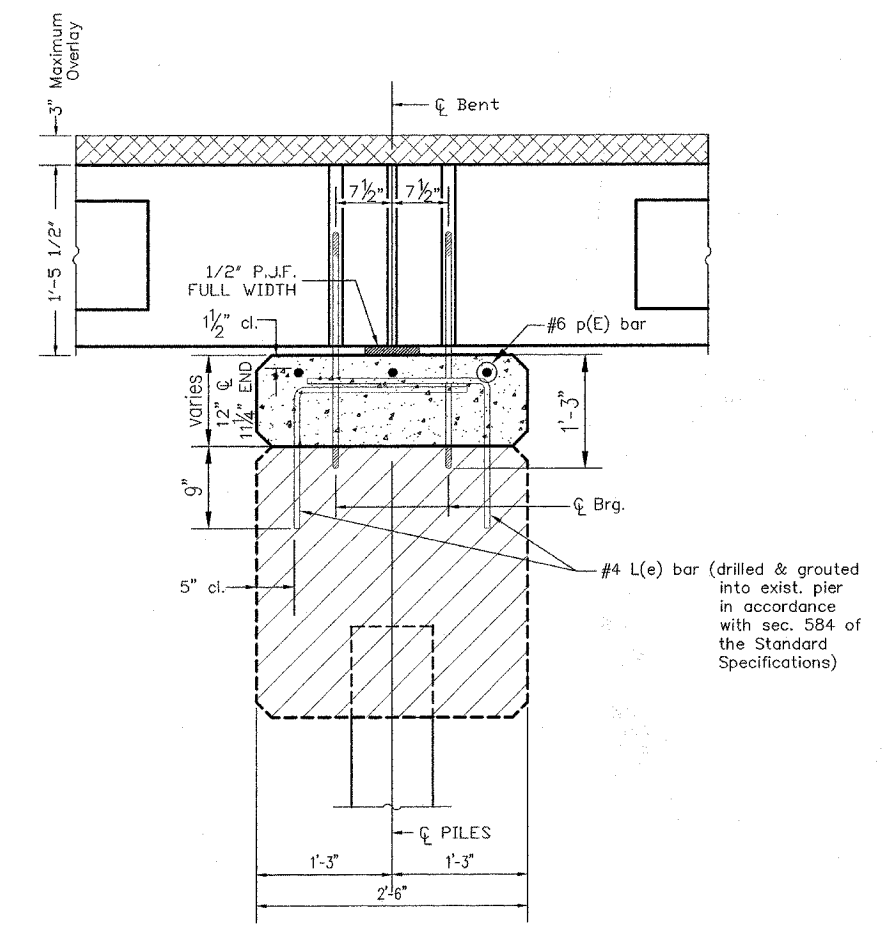
DESIGN STRESSES

$f'_c = 3,500 \text{ PSI}$
 $f_y = 60,000 \text{ PSI}$

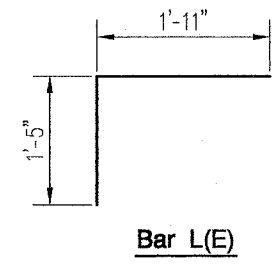
NOTE:

Reinforcement bars shall conform to A.A.S.H.T.O. M-31 or M-322, Grade 60. All reinforcement bars shall be epoxy coated.

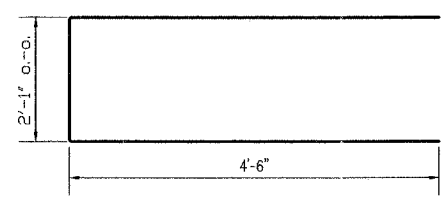
L(E) bars shall be drilled and epoxy grouted in accordance with Section 584 of the Standard Specifications.



**SECTION THRU PIER
(AT RIGHT ANGLES)**



Bar L(E)



Bar u(E)

Bar	No.	Size	Length	Shape
L(E)	38	#4	3'-4"	U
p(E)	3	#6	28'-0"	—
u(E)	4	#6	11'-1"	□
Concrete Structures			2.5 Cu. Yds.	
Reinforcement Bars			280 Lbs.	

**BILL OF MATERIAL
FOR ONE PIER**

PIER DETAILS

F.A.S. 782 (KEYSPORT ROAD)
 OVER FLAT BRANCH
 05-00084-00-BR & 05-00079-00-BR
 CLINTON & BOND COUNTY
 STATION 66+73
 S.N. 014-3000