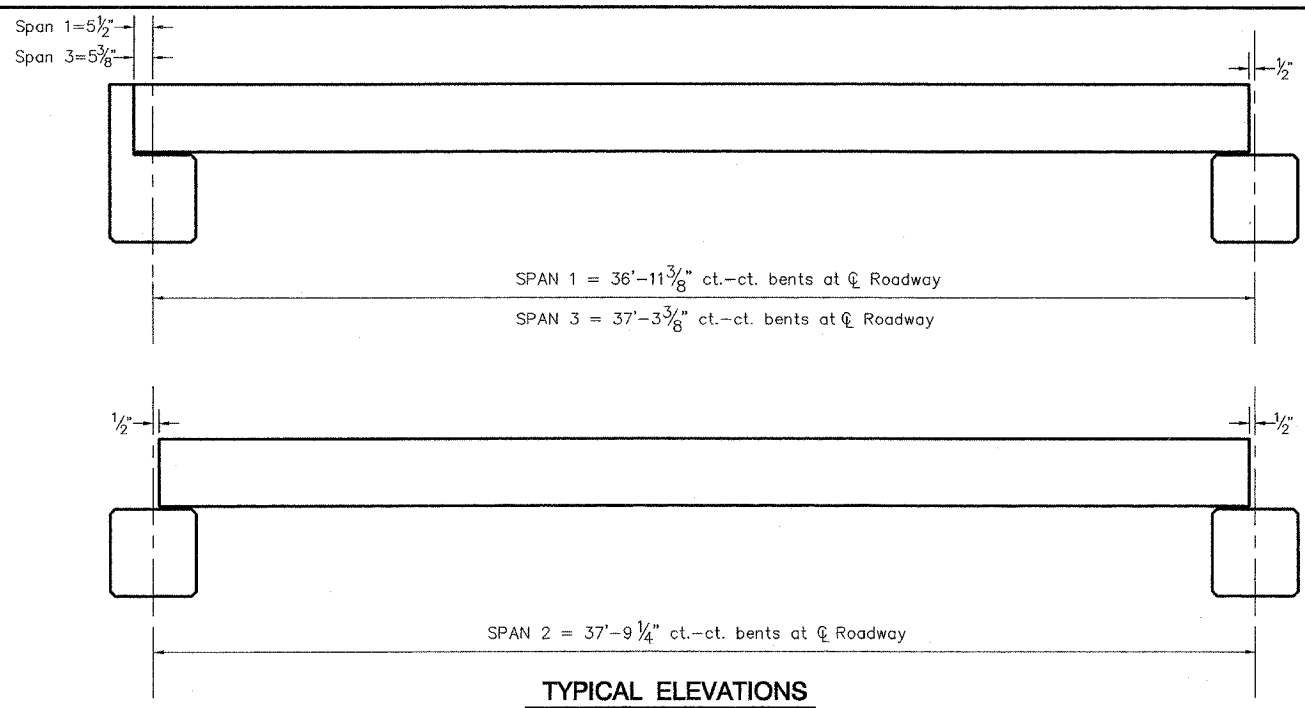
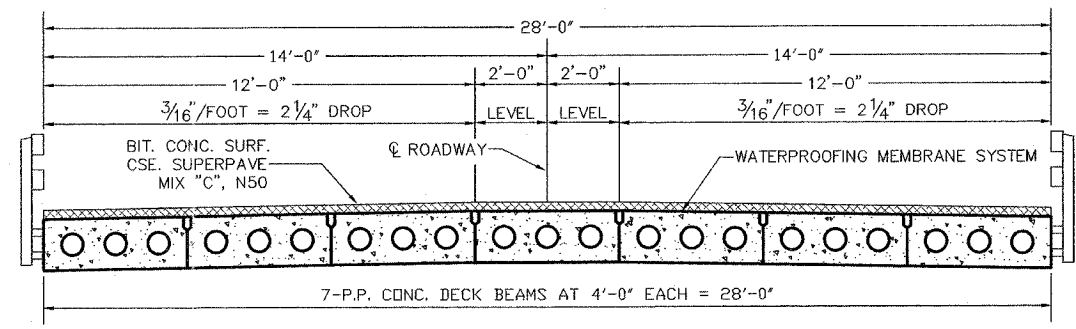


ROUTE NO.	SECTION	COUNTY	TOTAL SHEETS	SHEET NO.
F.A.S. 782 (KEYSPORT ROAD)	05-00084-00-BR 05-00079-00-BR	CLINTON & BOND	13	8

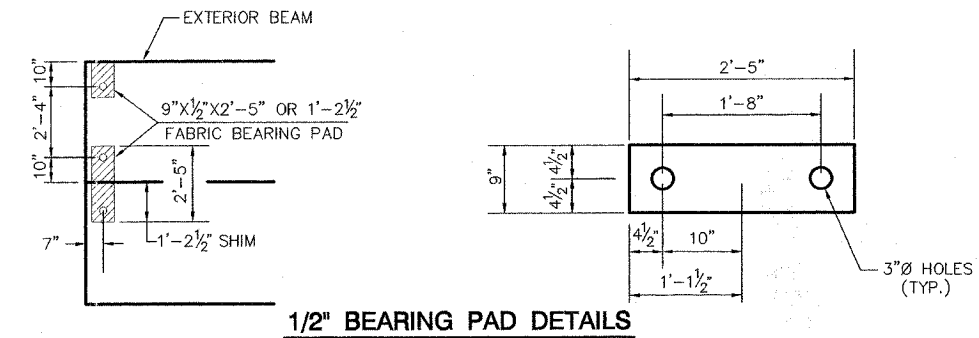
CONTRACT NO. 97272



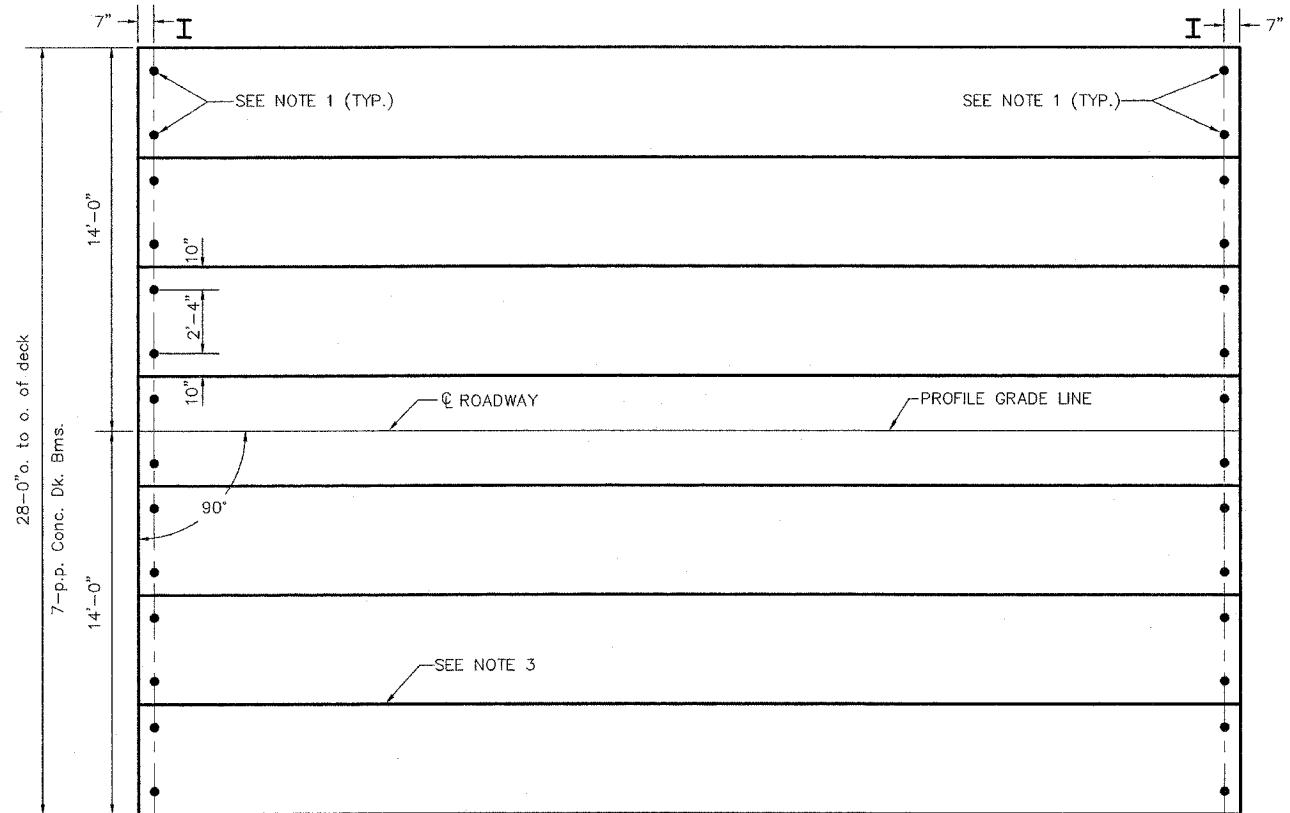
**TYPICAL ELEVATIONS**



**CROSS SECTION**



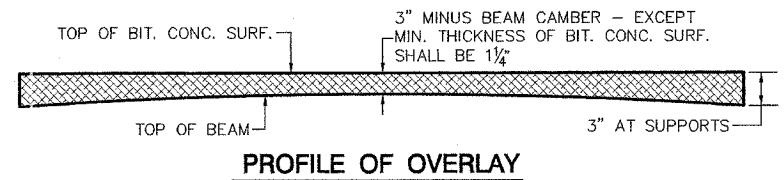
**1/2" BEARING PAD DETAILS**



**PLAN**

**NOTES**

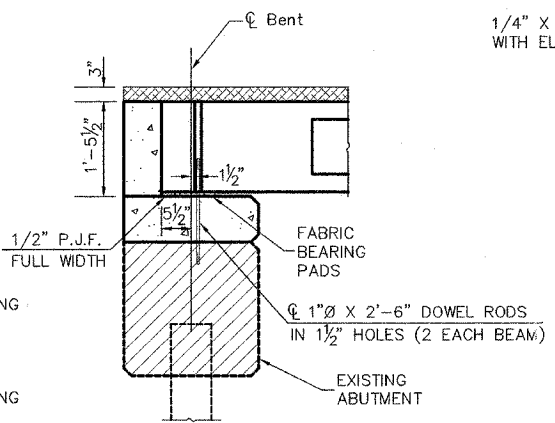
1. After beams have been erected, holes shall be drilled into substructure and anchor dowels placed. Dowel holes shall be filled with non-shrink grout to top of beam and allowed to cure min. 24 hrs. prior to grouting the shear keys.
2. Nominal 1" joint at centerline pier shall be filled with non-shrink grout.
3. Longitudinal keys shall be grouted.



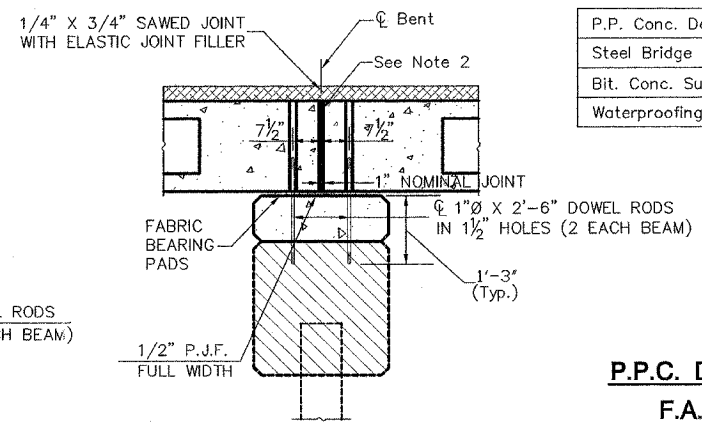
**PROFILE OF OVERLAY**

**QUANTITIES FOR STRUCTURE**

P.P.C. Deck Bm. 17" Dp.	3,157 Sq. Ft.
Steel Bridge Rail, Type SM	226 Ft.
Bit. Conc. Surf. Cse. Mix "C", N50	45.0 Tons
Waterproofing Membrane System	356.0 Sq. Yds.



**SECTION AT ABUTS.**  
(ALONG centerline BEAMS)



**SECTION AT PIERS**  
(ALONG centerline BEAMS)

**P.P.C. DECK BEAM SUPERSTRUCTURE**

F.A.S 782 (KEYSPORT ROAD)  
OVER FLAT BRANCH  
05-00084-00-BR & 05-00079-00-BR  
CLINTON & BOND COUNTY  
STATION 66+73  
S.N. 014-3000