

SUMMARY OF QUANTITIES

Z000-2#

CODE NO.	ITEM	UNIT	Quantity
20200100	Earth Excavation	Cu. Yd.	1,894
20201200	Removal and Disposal of Unsuitable Material	Cu. Yd.	1,000
20400800	Furnished Excavation	Cu. Yd.	1,023
20800150	Trench Backfill	Cu. Yd.	753
21400100	Grading and Shaping Ditches	Foot	1,689
25000115	Seeding Class 1B	Acre	2.5
25000400	Nitrogen Fertilizer Nutrient	Pound	338
25000500	Phosphorus Fertilizer Nutrient	Pound	202
25000600	Potassium Fertilizer Nutrient	Pound	135
25000700	Agricultural Ground Limestone	Ton	5
25100115	Mulch Method 2	Acre	2.5
28000300	Temporary Ditch Checks	Each	13
28000400	Perimeter Erosion Barrier	Foot	1,045
28000500	Inlet and Pipe Protection	Each	5
28100107	Stone Riprap, Class A4	Sq. Yd.	49
28200200	Filter Fabric	Sq. Yd.	49
40200800	Aggregate Surface Course, Type B	Ton	5
40600100	Bituminous Materials (Prime Coat)	Gallon	2,418
40600300	Aggregate (Prime Coat)	Ton	49
40600980	Bituminous Surface Removal - Butt Joint	Sq. Yd.	729
42000300	Portland Cement Concrete Pavement, 8"	Sq. Yd.	420
42001200	Pavement Fabric	Sq. Yd.	635
42300200	Portland Cement Concrete Driveway Pavement, 6"	Sq. Yd.	148
42300400	Portland Cement Concrete Driveway Pavement, 8"	Sq. Yd.	359
44000100	Pavement Removal	Sq. Yd.	868
44000200	Driveway Pavement Removal	Sq. Yd.	1,410
44000400	Gutter Removal	Foot	87
44000500	Combination Curb and Gutter Removal	Foot	134
44201076	Class B Patches, Type II	Sq. Yd.	472
44201078	Class B Patches, Type III	Sq. Yd.	137
44201080	Class B Patches, Type IV	Sq. Yd.	78
44201978	Class D Patches, Type III	Sq. Yd.	23
44213200	Saw Cuts	Foot	1,915
44300200	Strip Reflective Crack Control Treatment	Foot	9,432
48202600	Bituminous Shoulders, Superpave, 8"	Sq. Yd.	5,005
50105200	Remove Existing Culverts	Each	18
542A0220	Pipe Culverts, Class A, Type I, 15"	Foot	28
542A0223	Pipe Culverts, Class A, Type I, 18"	Foot	68
542C0217	Pipe Culverts, Class C, Type I, 12"	Foot	70
542C0220	Pipe Culverts, Class C, Type I, 15"	Foot	42
54213667	Precast Reinforced Concrete Flared End Sections, 12"	Each	3
54213660	Precast Reinforced Concrete Flared End Sections, 15"	Each	1
54213663	Precast Reinforced Concrete Flared End Sections, 18"	Each	2
54213666	Precast Reinforced Concrete Flared End Sections, 21"	Each	1
54215547	Metal End Sections, 12"	Each	7
54215550	Metal End Sections, 15"	Each	6
550B0050	Storm Sewers, Class B, Type I, 12"	Foot	20
55019500	Storm Sewers, Type I, Reinforced Concrete Culvert, Storm Drain, and Sewer Pipe, Class IV, 12"	Foot	1,942
55019600	Storm Sewers, Type I, Reinforced Concrete Culvert, Storm Drain, and Sewer Pipe, Class IV, 15"	Foot	2,228
55019700	Storm Sewers, Type I, Reinforced Concrete Culvert, Storm Drain, and Sewer Pipe, Class IV, 18"	Foot	200
55019800	Storm Sewers, Type I, Reinforced Concrete Culvert, Storm Drain, and Sewer Pipe, Class IV, 21"	Foot	10
55021800	Storm Sewers, Type 2, Reinforced Concrete Culvert, Storm Drain, and Sewer Pipe, Class III, 18"	Foot	5
55021900	Storm Sewers, Type 2, Reinforced Concrete Culvert, Storm Drain, and Sewer Pipe, Class III, 21"	Foot	63
55100500	Storm Sewer Removal, 12"	Foot	75
60219500	Manholes, Type A, 4' Diameter, Type 15 Frame and Lid	Each	1
60228110	Manholes, Sanitary, 4' Diameter, Type 1 Frame, Closed Lid	Each	1
60237000	Inlets, Type A, Type 15 Frame and Lid	Each	3
60240215	Inlets, Type B, Type 1 Frame, Closed Lid	Each	2
60240320	Inlets, Type B, Type 15 Frame and Lid	Each	22
60255500	Manholes to be Adjusted	Each	10
60500060	Removing Inlets	Each	4
60600095	Class SI Concrete (Outlet)	Cu. Yd.	42
60602800	Concrete Gutter, Type B	Foot	4,571
60604400	Combination Concrete Curb and Gutter, Type B-6.18	Foot	16
60605000	Combination Concrete Curb and Gutter, Type B-6.24	Foot	21
60605400	Combination Concrete Curb and Gutter, Type B-6.24 (Special)	Foot	94
63000000	Steel Plate Beam Guardrail, Type A	Foot	687
63100045	Traffic Barrier Terminal, Type 2	Each	2
63100167	Traffic Barrier Terminal, Type 1 Special (Tangent)	Each	2
67000400	Engineer's Field Office, Type A	Cal. Mo.	15
67100100	Mobilization	L. Sum	1
70101700	Traffic Control and Protection	L. Sum	1
70300100	Short-Term Pavement Marking	Foot	670
70300625	Temporary Paint Pavement Marking - Line 4"	Foot	20,664
70301000	Work Zone Pavement Marking Removal	Sq. Ft.	6,888
78000100	Thermoplastic Pavement Marking - Letters and Symbols	Sq. Ft.	390
78000200	Thermoplastic Pavement Marking - Line 4"	Foot	16,141
78000600	Thermoplastic Pavement Marking - Line 12"	Foot	384
78100100	Raised Reflective Pavement Marker	Each	175
78300200	Raised Reflective Pavement Marker Removal	Each	86
78300405	Thermoplastic Pavement Marking Removal	Foot	10,183
XX000501	Subgrade Strengthening Aggregate	Ton	2,000
XX000541	Exploratory Excavation	Cu. Yd.	200
XX000656	Mailbox Removal and Relocation	Each	11
XX004949	Incidental Bituminous Surfacing, Superpave	Ton	121
XX104100	Connection to Existing Manhole	Each	1
X0301766	Drill and Grout #6 Tie Bars	Each	33
X3550500	Bituminous Base Course Superpave, 8"	Sq. Yd.	4,959
X4066414	Bituminous Concrete Surface Course, Superpave, Mix "C", NS0	Ton	1,323
X4066765	Leveling Binder (Machine Method), Superpave, NS0	Ton	1,563
Z0000990	Aggregate for Temporary Access	Ton	500
Z0018900	Drill and Grout Dowel Bars	Each	1,136
Z0051500	Removing and Resetting Street Signs	Each	7
XX001544	Restricted Depth Manholes, 4' Diameter, Type 15 Frame and Lid	Each	2
XX001000	Temporary Shoulders	Sq. Yd.	2,497
XX000565	15" PVC Sanitary Sewer SDR-26	Foot	78
XX000869	Select Granular Backfill	Cu. Yd.	82

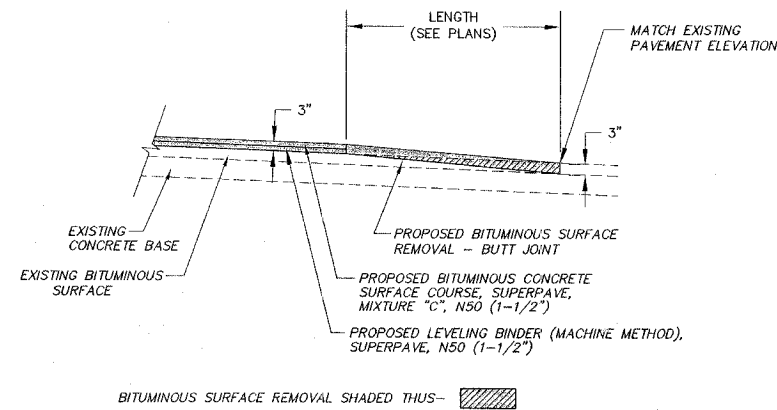
* SPECIALTY ITEMS

PAVEMENT WIDENING DESIGN DATA

DESIGN SPEED = 45 M.P.H.
CLASS II STREET
2006 AVERAGE DAILY TRAFFIC (A.D.T.) = 9,590
2026 AVERAGE DAILY TRAFFIC (A.D.T.) = 11,700

2016 STRUCTURAL DESIGN TRAFFIC (S.D.T.) = 10,600
PASSENGER VEHICLES (P.V.) = 10,270 (96.9%)
SINGLE UNITS (S.U.) = 320 (3.0%)
MULTIPLE UNITS (M.U.) = 10 (0.1%)

COMPOSITE PAVEMENT DESIGN
TRAFFIC FACTOR=0.33
ILLINOIS BEARING RATIO (IBR) = 2
PROPOSED PAVEMENT MATERIALS:
BITUMINOUS BASE COURSE, SUPERPAVE, 8"
MINIMUM BITUMINOUS SURFACE REQUIRED = 3" ACTUAL = 3" MINIMUM
IMPROVED SUBBASE = NOT REQUIRED



DETAIL - BUTT JOINT
N.T.S.

BITUMINOUS MIXTURE REQUIREMENTS

ROUTE	FOSTERBURG ROAD (FAU 9002)
SECTION	03-00218-00-WR
COUNTY	MADISON
CONTRACT	97278

DESCRIPTION: FOSTERBURG ROAD @ CITY OF ALTON
20 YR. ESAL'S : 0.60 (ADT=11,700, % MU=3.1, %SU=7)

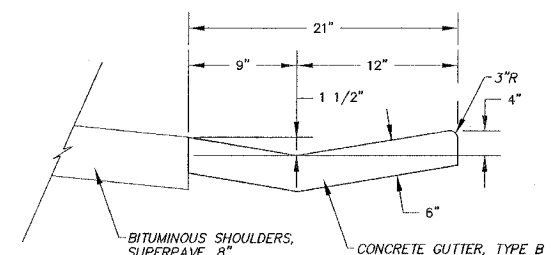
MIXTURE USE	SURFACE CSE	LEVELING BINDER	INC. BIT. SURF.	BIT. BASE COURSE	BIT. SHOULDERS
AC/PG	PG. 64-22	PG. 64-22	PG. 64-22	PG. 64-22	PG. 64-22
RAP % (MAX)	15%	15%	15%	15%	15%
DESIGN AIR VOIDS	4.0% @ Ndes=50	4.0% @ Ndes=50	4.0% @ Ndes=50	4.0% @ Ndes=50	4.0% @ Ndes=50
MIX COMPOSITION (GRADATION MIXTURE)	IL 9.5	IL 9.5	IL 9.5	IL 9.5	IL 9.5
FRICITION AGG	MIXTURE C	MIXTURE C	MIXTURE C	MIXTURE C	MIXTURE C

EARTHWORK SCHEDULE

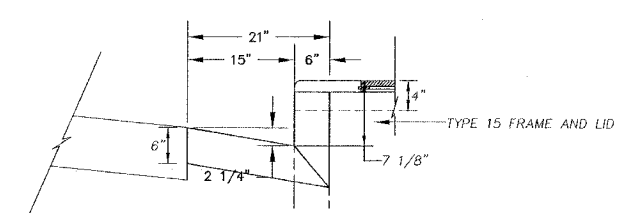
LOCATION	EARTH EXCAVATION (CUBIC YARDS)	EARTH EXCAVATION ADJUSTED FOR 25% SHRINKAGE (CUBIC YARDS)	EMBANKMENT (CUBIC YARDS)	EARTHWORK BALANCE WASTE (+) OR SHORTAGE (-) (CUBIC YARDS)
STA. 117+71 TO STA. 149+15	1,894	1,420	2,443	- 1,023
TOTAL	1,894	1,420	2,443	- 1,023

LEGEND

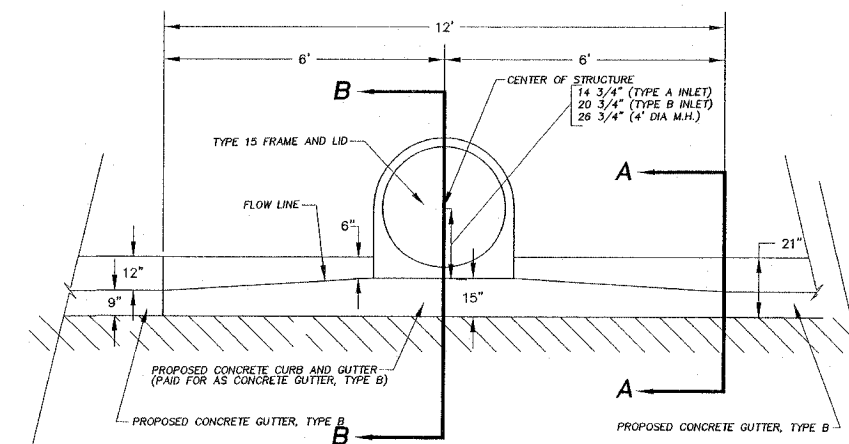
- T.B.A. TO BE ADJUSTED
- T.B.R. TO BE REMOVED
- T.B. REL. TO BE RELOCATED
- T.B.R. & RELC. TO BE REMOVED AND RELOCATED
- ☉ POWER POLE
- ☼ LIGHT POLE
- MAIL BOX
- ⊗ WM WATER METER
- ⊗ WV WATER VALVE
- ⊗ FIRE HYDRANT
- EXISTING STORM SEWER INLET
- TELEPHONE PEDISTAL
- MONUMENT
- GRADING AND SHAPING DITCHES
- W — W — W — EXISTING WATER LINE
- G — G — G — EXISTING GAS LINE
- EXISTING CULVERT
- PROPOSED CULVERT
- EXISTING FENCE
- DECIDUOUS TREE
- ▨ PAVEMENT PATCH, BITUMINOUS SURFACE REMOVAL BUTT-JOINT AND CONSTRUCTION WORK ZONE
- ▨ PROPOSED CONCRETE PAVEMENT, CONCRETE DRIVEWAY
- ▨ EXISTING CONCRETE PAVEMENT, CONCRETE DRIVEWAY
- ▨ PROPOSED SURFACE REMOVAL
- ▨ EXISTING LANDSCAPING TO REMAIN
- ▨ EXISTING GRAVEL SURFACE
- ◆ PROPOSED RAISED REFLECTIVE PAVEMENT MARKER (TWO-WAY)
- ▶ PROPOSED RAISED REFLECTIVE PAVEMENT MARKER (ONE-WAY)



SECTION A-A
NO SCALE



SECTION B-B
NO SCALE



CURB AND GUTTER DETAIL AT INLETS
NO SCALE

REVISIONS

SMS ENGINEERS
Sheppard, Morgan & Schwaab, Inc.
CONSULTING ENGINEERS AND LAND SURVEYORS
1510 Charvet Street, P.O. Box E, Alton, IL 62002, 618/462-9795, E-mail: mail@smsengineers.com
© Central Industrial Drive, Granite City, IL 62040, 618/677-9700, E-mail: mail@smsengineers.com

FOSTERBURG ROAD IMPROVEMENTS-PHASE 1
ALTON, ILLINOIS
FAU ROUTE 9002
ALTON SECTION 03-00218-00-WR
SUMMARY OF QUANTITIES, DETAILS OF CONSTRUCTION

DWG. NO. 03-Frburg-sum-qty-1tp.dwg
REF. BK. PG.
JOB NO. 205889
DSN. BY: CLA
DWN. BY: CDP
CHK. BY: JHH
DATE: JANUARY, 2006
SCALE: AS NOTED
SHEET 2 OF 38