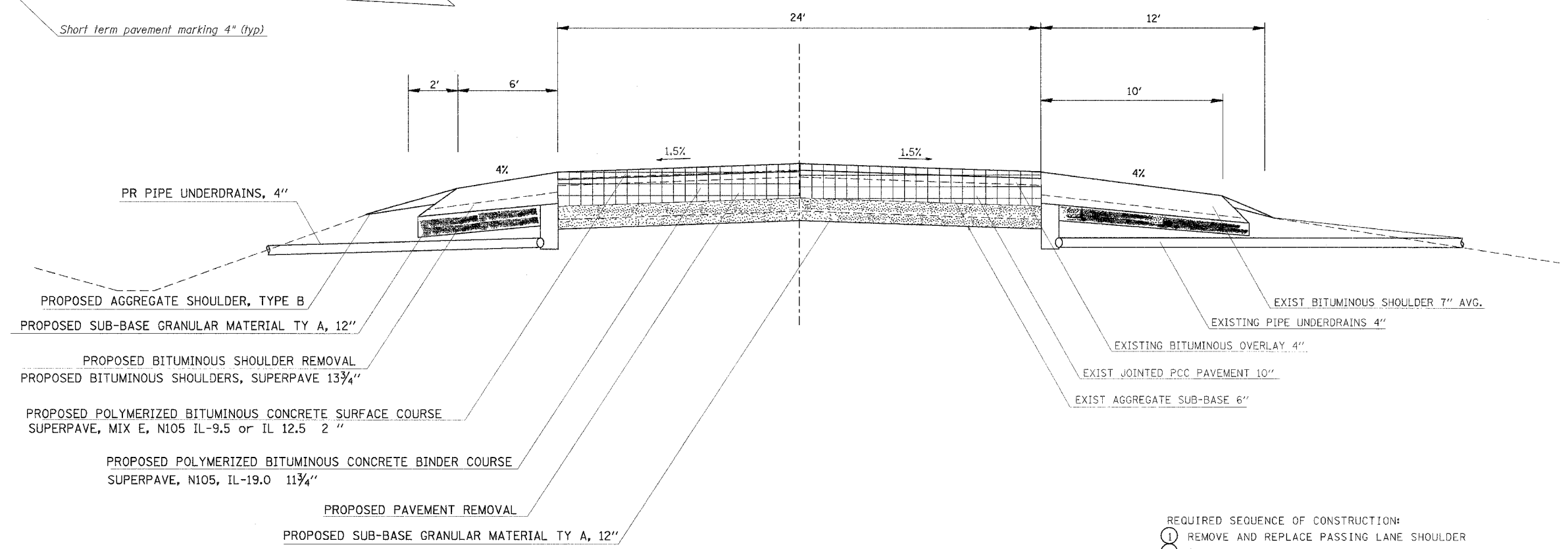
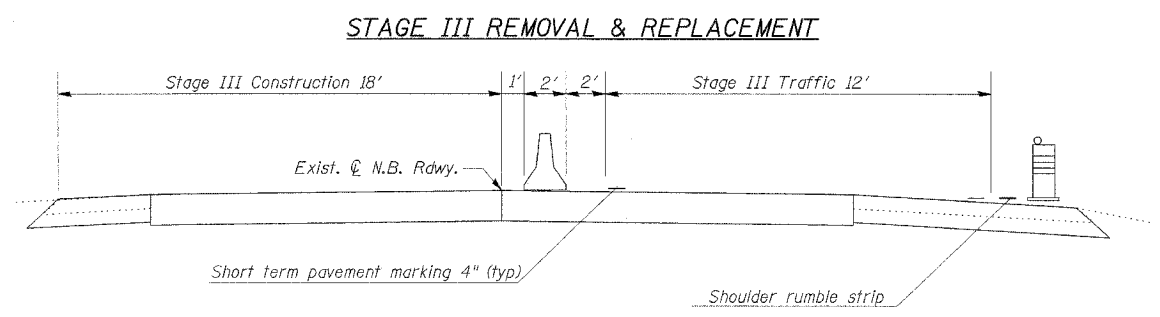
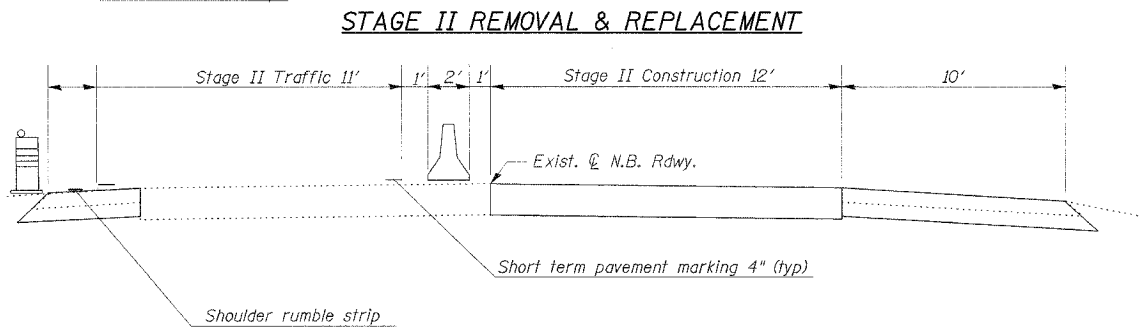
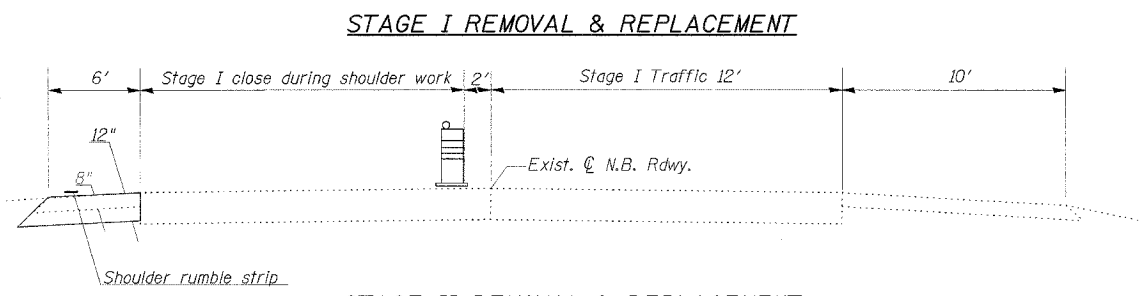


F.A.I. RTE.	SECTION	COUNTY	TOTAL SHEETS	SHEET NO.
57	*	WILLIAMSON	60	42
STA.		TO STA.		
FED. ROAD DIST. NO.		ILLINOIS FED. AID PROJECT		
* [X1-(4,4-1,5,6,6-2)] R-1				

STAGE CONSTRUCTION VII PAVEMENT REPLACEMENT ON I-57 UNDER THE OVERPASSES

WILLIAMSON COUNTY
NORTHBOUND LANES ONLY
FAI RTE 57
(LOOKING IN DIRECTION OF TRAVEL)



NOTES:

1. ANY SUBGRADE EXCAVATION OR EARTHWORK NEEDED TO CONSTRUCT THE SUB-BASE GRANULAR MATERIAL OR SHOULDERS WILL NOT BE PAID FOR SEPARATELY, BUT WILL BE INCLUDED IN THE COST OF THE SUBBASE.
2. THE EXCAVATED MATERIAL FROM THE PIPE UNDERDRAIN 4" TRENCH WILL NOT BE ALLOWED ON THE FORESLOPES OR WITHIN THE PROJECT'S RIGHT-OF-WAY.
3. THE TRENCH SHALL BE CLEARED OF ALL EXISTING PIPE AND FABRIC TO THE SATISFACTION OF THE ENGINEER PRIOR TO THE PLACEMENT OF THE PROPOSED PIPE UNDERDRAINS 4". REMOVAL OF THE EXISTING PIPE UNDERDRAIN SYSTEM IS INCLUDED IN THE COST OF THE PROPOSED PIPE UNDERDRAIN 4".
4. THE STAGE CONSTRUCTION OF THIS SECTION WILL UTILIZE TEMPORARY CONCRETE BARRIER WALL TO PROTECT TRAFFIC FROM THE OPEN TRENCH.

TO BE USED:
UNDER TR 23 (STIRITZ ROAD) OVERPASS
NB LANES ONLY: STA 79+50 TO 83+70

UNDER FAS 903 (JOHNSTON CITY INTERCHANGE) OVERPASS
NB LANES ONLY: STA 163+40 TO 168+10

UNDER CH 4 (STOTLAR ROAD) OVERPASS
NB LANES ONLY: STA 253+10 TO 257+25

UNDER TR 241 (CEDAR GROVE) OVERPASS
NB LANES ONLY: STA 361+50 TO 365+30

REQUIRED SEQUENCE OF CONSTRUCTION:

- 1 REMOVE AND REPLACE PASSING LANE SHOULDER
- 2 REMOVE DRIVING LANE PAVEMENT AND SHOULDER
- 3 CONSTRUCT SUBBASE AND BITUMINOUS BINDER PAVEMENT DRIVING LANE
- 4 TRENCH & PLACE DRIVING LANE UNDERDRAINS
- 5 CONSTRUCT OUTSIDE BITUMINOUS SHOULDER
- 6 REMOVE PASSING LANE PAVEMENT AND SHOULDER
- 7 CONSTRUCT SUBBASE AND BITUMINOUS BINDER PAVEMENT PASSING LANE
- 8 TRENCH & PLACE PASSING LANE UNDERDRAINS
- 9 CONSTRUCT INSIDE BITUMINOUS SHOULDER

LEGEND

- AGGREGATE SUB-BASE
- PAVEMENT REMOVAL - (SAW CUTS INCIDENTAL)

PLOT DATE = 4/11/2005
FILE NAME = c:\p05\mca\9801685\c981685.dwg
PLOT SCALE = 1/8" = 1'-0"
USER NAME = miller