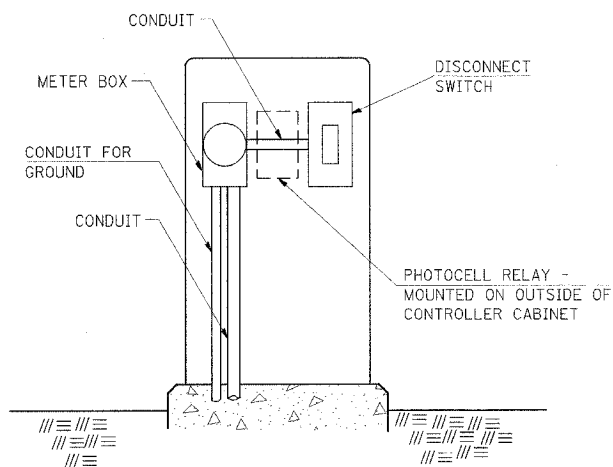
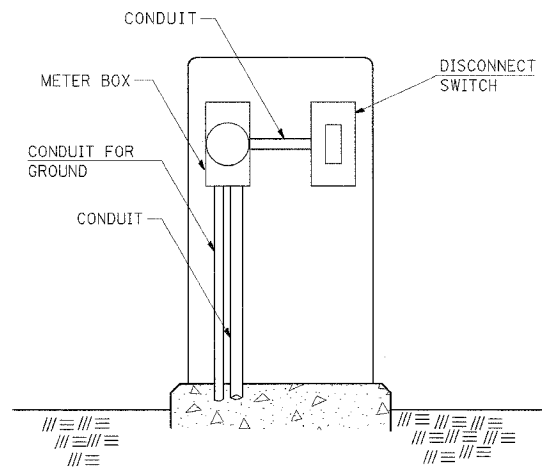


SERVICE INSTALLATION DETAILS



SERVICE INSTALLATION (SPECIAL)
WITH PHOTOCELL RELAY



SERVICE INSTALLATION (SPECIAL)

NOTE:
MATERIAL AND SIZE OF CONDUIT
AND CABLE AS REQUIRED BY
UTILITY COMPANY

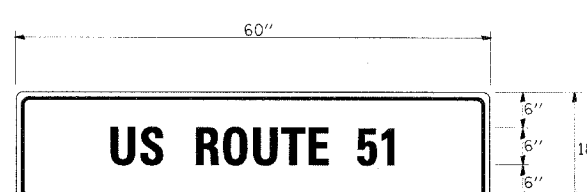
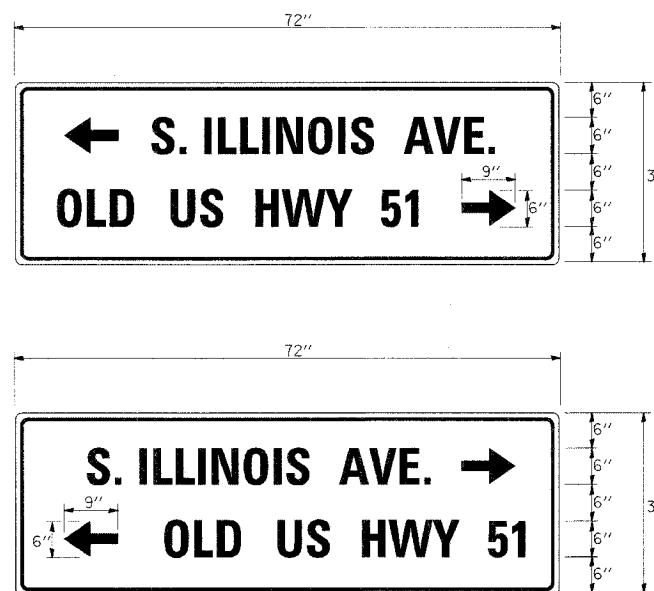
REVISIONS	
DRAWN	1-31-90
REVISED	2-24-92
REVISED	
REVISED	

STD. 9-68

SIGN PANELS

TYPE 1 & 2

F.A.P. RTE.	SECTION	COUNTY	TOTAL SHEETS	SHEET NO.
322	10 TS	JACKSON	8	7
STA.		TO STA.		
FED. ROAD DIST. NO.		ILLINOIS	FED. AID PROJECT	



DETAIL OF DETECTOR LOOPS

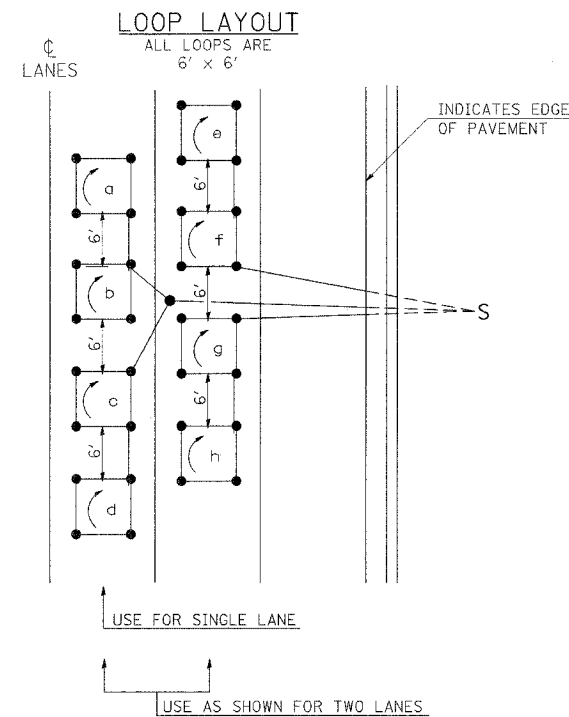
NOTES

(APPLIES TO 6' x 6' LOOPS ONLY)

1. THE DETECTOR LOOPS SHALL BE TYPE I. EACH DETECTOR LOOP SHALL HAVE 3 TURNS OF LOOP WIRE AND BE INSTALLED IN ACCORDANCE WITH THE APPLICABLE PORTIONS OF SECTION 886 OF THE STANDARD SPECIFICATIONS FOR TRAFFIC CONTROL ITEMS.
2. BEGINNING LEAD WIRES SHALL BE CONNECTED TO THE BLACK LEAD AND THE ENDING LEAD WIRES SHALL BE CONNECTED TO THE WHITE LEAD OF THE TWIN TWISTED FEED CABLES AT THE SPLICE POINT.
3. WHERE THE LOOPS ARE INSTALLED PRIOR TO RESURFACING, THE LOOP CORNERS SHALL BE DIAGONALLY CUT.

LOOP LEGEND

- ⤵ CLOCKWISE ROTATION FOR LOOP WIRES
- S INDICATES SPLICE POINT FOR DETECTOR LOOP LEAD
- INDICATES 2" CORE-DRILL

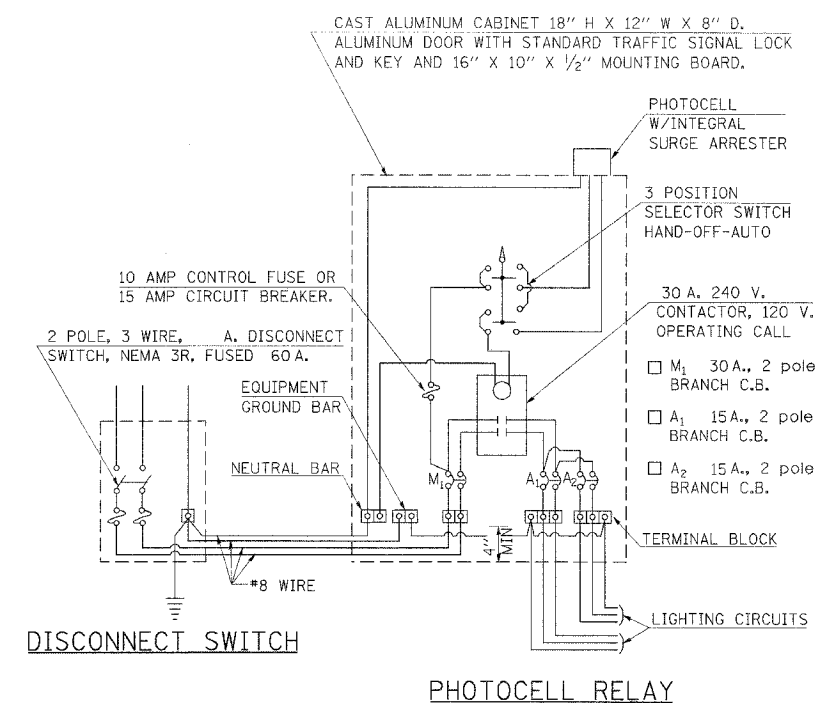


DETAIL 6' x 6' DETECTOR LOOPS

REVISIONS	
REDRAWN	5-13-02
REVISED	10-27-05
REVISED	
REVISED	

STD. 9-92

CONTROL INSTALLATION SIGNAL CABINET MOUNTED



PHOTOCELL RELAY

REVISIONS	
DRAWN	5-13-02
REVISED	
REVISED	
REVISED	

STD. 9-113

DETAILS: SERVICE INSTALLATION, DETECTOR LOOPS,
CONTROL INSTALLATION SIGNAL CABINET MOUNTED, SIGN PANELS

9/24/2006
 C:\Users\william\Documents\9002006\9002006.dwg
 9002006 / IN
 william