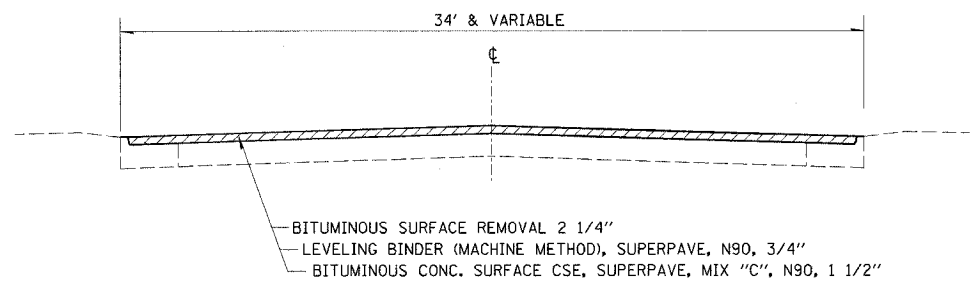


district  
3/23/2006  
c:\projects\94909d\05203pa.d

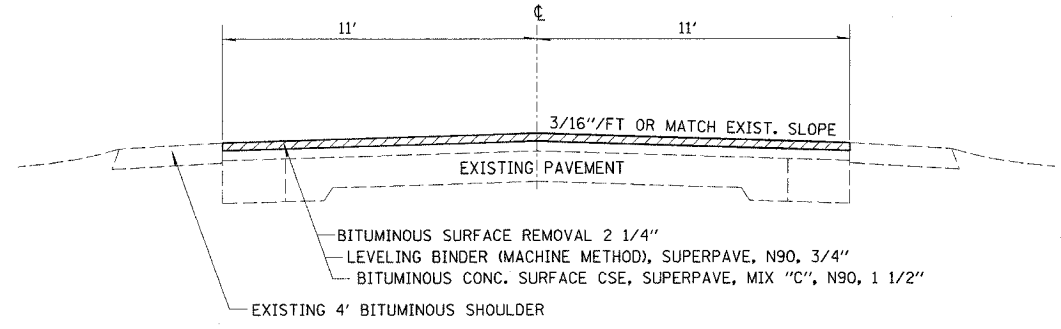
CONTRACT NO. 98980

F.A.P. RTE.	SECTION	COUNTY	TOTAL SHEETS	SHEET NO.
853	9RS-4	HAMILTON	12	4
STA.		TO STA.		
FED. ROAD DIST. NO.		ILLINOIS	FED. AID PROJECT	



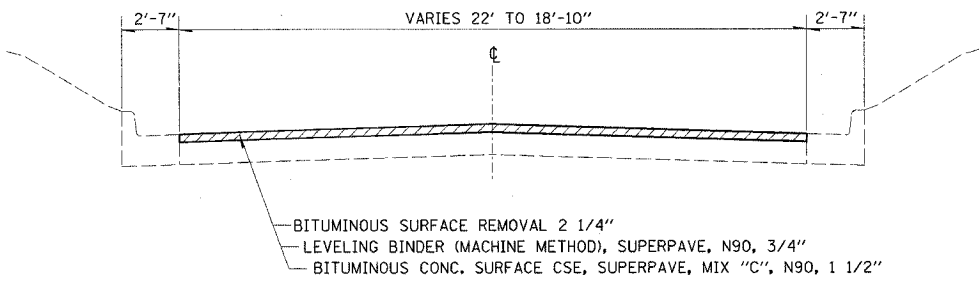
**TYPICAL INLAY SECTIONS**

STA 163+38 TO STA 166+98  
STA 169+71 TO STA 171+46 (23.8' WIDTH)



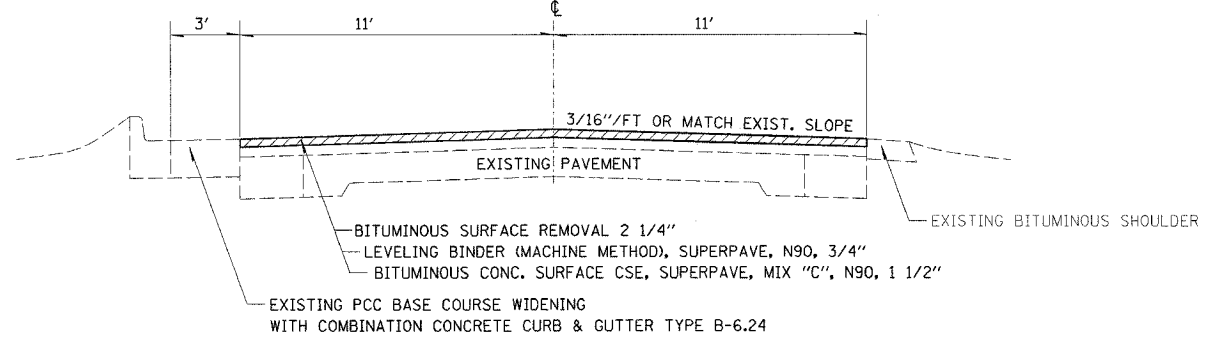
**TYPICAL INLAY SECTIONS**

STA 176+94 TO STA 180+15



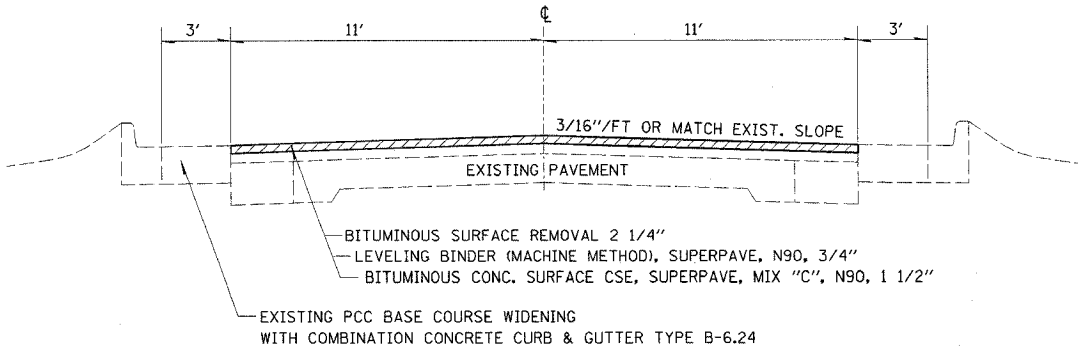
**TYPICAL INLAY SECTIONS**

STA 166+98 TO STA 169+71



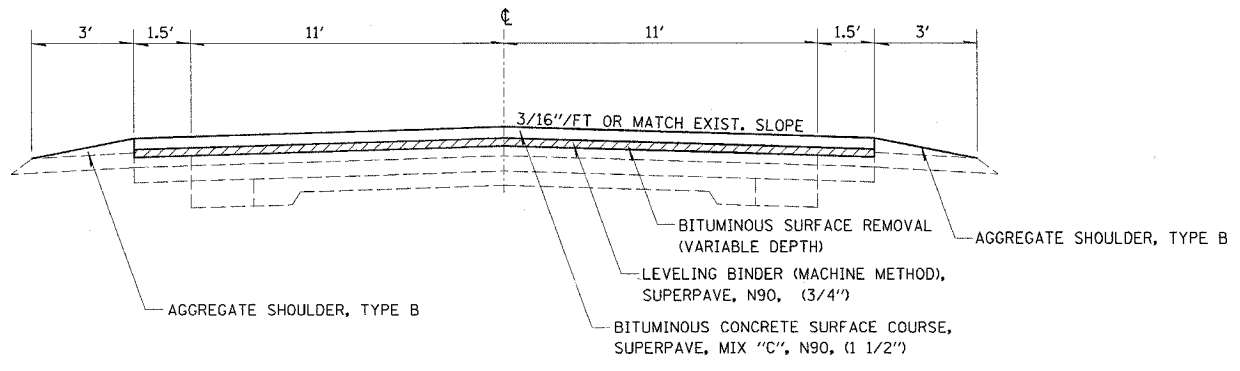
**TYPICAL INLAY SECTIONS**

STA 180+15 TO STA 183+56



**TYPICAL INLAY SECTIONS**

STA 171+46 TO STA 176+94



**TYPICAL SECTIONS**

STA 183+56 TO STA 301+50

REVISIONS	
NAME	DATE

ILLINOIS DEPARTMENT OF TRANSPORTATION

**TYPICAL SECTIONS**

SCALE: VERT. HORIZ. DATE

DRAWN BY CHECKED BY

PLOT DATE = 3/23/2006  
FILE NAME = #FILE#  
PLOT SCALE = #SCALE#  
USER NAME = #USER#