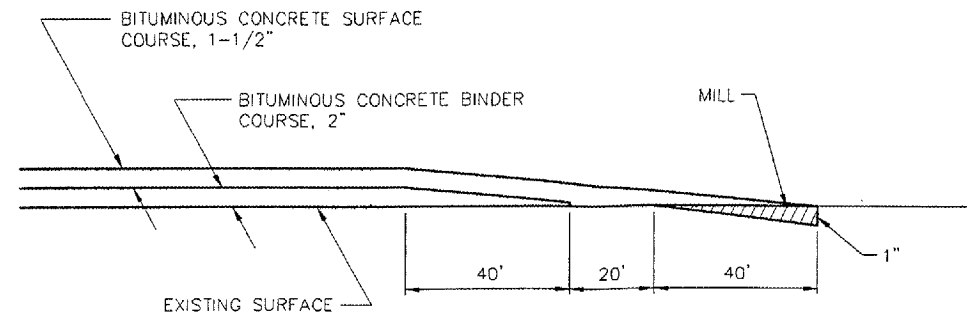
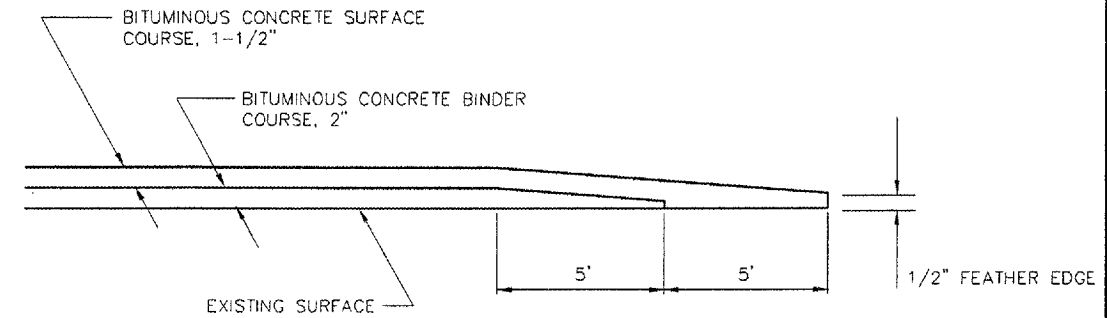


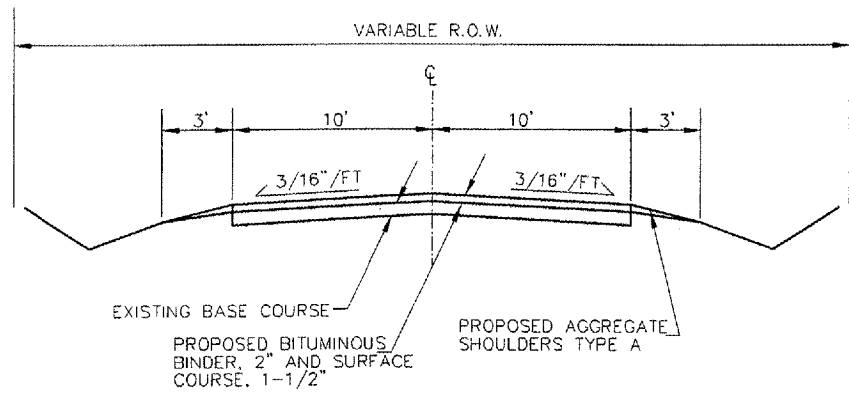
TYPICAL EXISTING SECTION



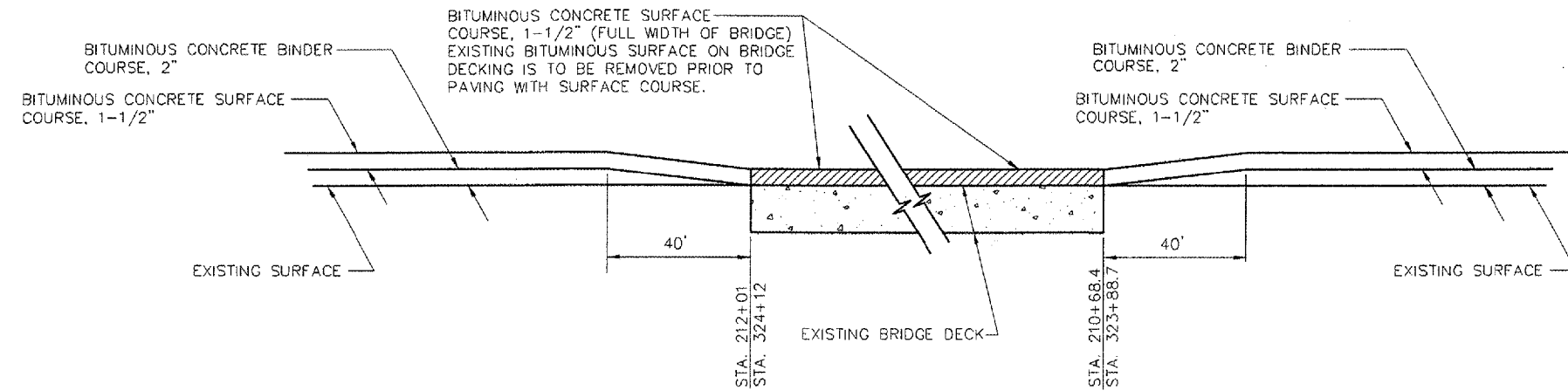
TYPICAL BUTT JOINT



TYPICAL FEATHER JOINT



TYPICAL PROPOSED SECTION



SURFACING AT BRIDGES

SCHEDULE OF PAVEMENT MARKING LINE, 4"

WESTBOUND LANE			EASTBOUND LANE				
STATION	NO PASSING (YELLOW SOLID)	CENTERLINE (YELLOW DASHED)	STATION	NO PASSING (YELLOW SOLID)	CENTERLINE (YELLOW DASHED)	STATION	EDGE LINE (WHITE SOLID)
STA. 181+50 - 187+00	-	550 FT.	STA. 181+50 - 187+00	550 FT.	-	STA. 181+50 - 187+00	1,100 FT.
STA. 187+00 - 193+00	600 FT.	-	STA. 187+00 - 190+00	-	300 FT.	STA. 187+00 - 193+00	1,200 FT.
STA. 193+00 - 198+00	-	500 FT.	STA. 190+00 - 194+00	400 FT.	-	STA. 193+00 - 198+00	1,000 FT.
STA. 198+00 - 216+00	1,800 FT.	-	STA. 194+00 - 199+00	-	500 FT.	STA. 198+00 - 216+00	3,600 FT.
STA. 216+00 - 230+50	-	1,450 FT.	STA. 199+00 - 221+00	2,200 FT.	-	STA. 216+00 - 230+50	2,900 FT.
STA. 230+50 - 239+00	850 FT.	-	STA. 221+00 - 272+00	-	5,100 FT.	STA. 230+50 - 239+00	1,700 FT.
STA. 239+00 - 266+00	-	2,700 FT.	STA. 272+00 - 281+00	900 FT.	-	STA. 239+00 - 266+00	5,400 FT.
STA. 266+00 - 271+00	500 FT.	-	STA. 281+00 - 314+00	-	3,300 FT.	STA. 266+00 - 271+00	1,000 FT.
STA. 271+00 - 282+00	-	1,100 FT.	STA. 314+00 - 321+00	700 FT.	-	STA. 271+00 - 282+00	2,200 FT.
STA. 282+00 - 287+00	500 FT.	-	STA. 321+00 - 359+00	-	3,800 FT.	STA. 282+00 - 287+00	1,000 FT.
STA. 287+00 - 309+00	-	2,200 FT.	STA. 359+00 - 363+44	444 FT.	-	STA. 287+00 - 309+00	4,400 FT.
STA. 309+00 - 315+50	650 FT.	-				STA. 309+00 - 315+50	1,300 FT.
STA. 315+50 - 326+00	-	1,050 FT.				STA. 315+50 - 326+00	2,100 FT.
STA. 326+00 - 332+00	600 FT.	-				STA. 326+00 - 332+00	1,200 FT.
STA. 332+00 - 363+44	-	3,144 FT.				STA. 332+00 - 363+44	6,288 FT.
TOTALS	5,500 FT.	12,694 FT.	TOTALS	5,194 FT.	13,000 FT.	TOTALS	35,768 FT.

PAINT PAVEMENT MARKING, LETTERS AND SYMBOLS

PAVEMENT MARKINGS AT RAILROAD HIGHWAY CROSSINGS SHALL BE LAID OUT IN ACCORDANCE WITH HIGHWAY STANDARD 780001-01 AT THE FOLLOWING LOCATIONS:

- WEST BOUND LANE: STA. 176+10
- EAST BOUND LANE: STA. 186+25
- WEST BOUND LANE: STA. 309+25
- EAST BOUND LANE: STA. 319+25

THE CENTER OF THE "X" FOR THE RAILROAD SYMBOL WILL BE LOCATED IN THE CENTER OF THE ABOVE INDICATED LANE AND STATION. THE COST OF PAINTING THE STOP LINES AS SHOWN ON HIGHWAY STANDARD 780001-01 SHALL BE INCLUDED BY THE CONTRACTOR IN THE PRICE FOR PAINT PAVEMENT MARKING, LETTERS AND SYMBOLS AND NO ADDITIONAL COMPENSATION WILL BE ALLOWED.

TYPICAL SECTIONS & MISCELLANEOUS DETAILS