

LEGEND

- DRAINAGE CONDUIT MATERIAL-CONCRETE
- MIDDLE BEDDING LOOSELY PLACED UNCOMPACTED BEDDING
- HAUNCH AND OUTER BEDDING COMPACTION- 95% STANDARD PROCTOR
- LOWER SIDE AND OVERFILL COMPACTION- SAME AS EMBANKMENT REQUIREMENTS

D_o PIPE OUTSIDE DIAMETER
 D_i PIPE INSIDE DIAMETER

- NOTES**
- BEDDING SHOWN IS IN ACCORDANCE WITH "STANDARD EMBANKMENT INSTALLATIONS", STANDARD INSTALLATION & BEDDING FACTORS FOR THE INDIRECT DESIGN METHOD (DESIGN DATA 40), AMERICAN CONCRETE PIPE ASSOCIATION.
 - BACKFILL TO EXTEND 3' BEYOND EDGES OF PROPOSED PAVEMENT.

REVISIONS

NUMBER	BY	DATE

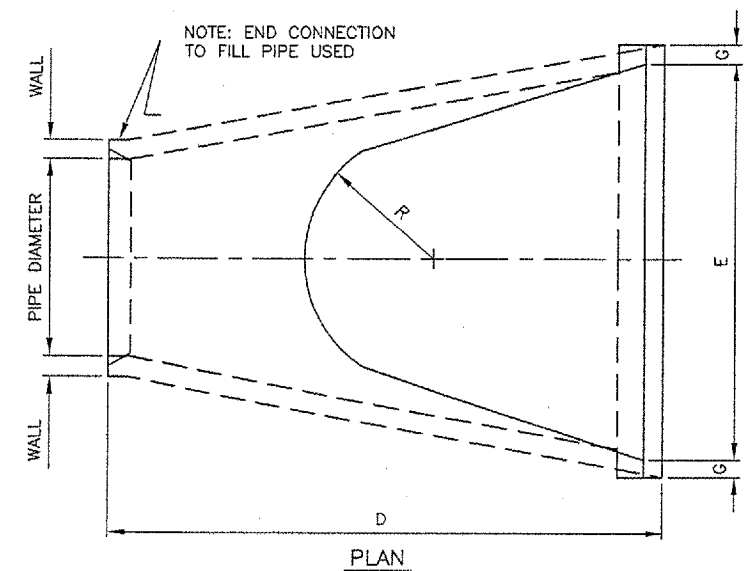
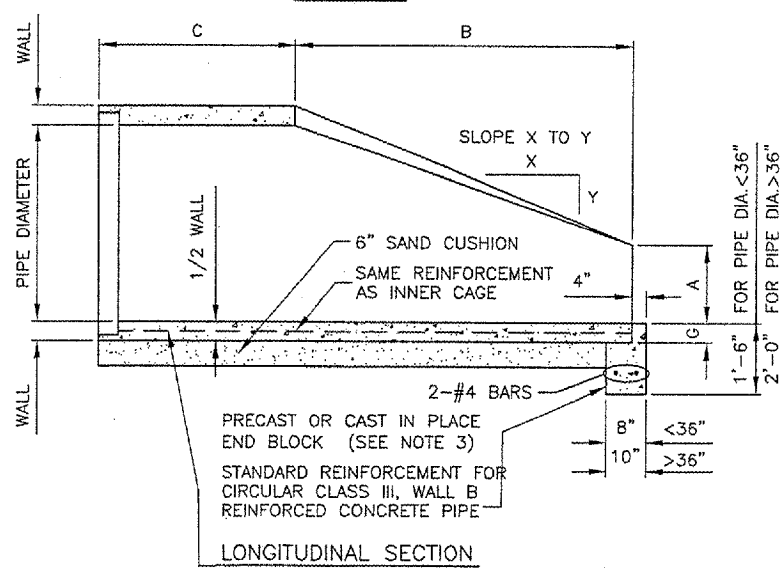
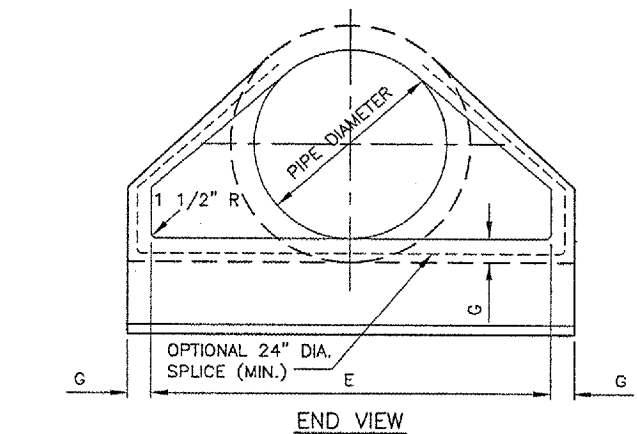
0 1 2
 THIS BAR IS EQUAL TO 2" AT FULL SCALE (34X22).

DIMENSIONS - TABLE 1

PIPE DIA.	APPROX WT. (lbs.)	WALL	A	B	C	D	E	G	R	SLOPE
12"	530	2"	4"	2'-0"	4'-0 7/8"	6'-0 7/8"	2'-0"	2"	9"	3:1
15"	740	2 1/4"	6"	2'-3"	3'-10"	6'-1"	2'-6"	2 1/4"	11"	3:1
18"	990	2 1/2"	9"	2'-3"	3'-10"	6'-1"	3'-0"	2 1/2"	12"	3:1
21"	1280	2 3/4"	9"	2'-11"	3'-2"	6'-1"	3'-6"	2 3/4"	13"	3:1
24"	1520	3"	9 1/2"	3'-7 1/2"	2'-6"	6'-1 1/2"	4'-0"	3"	14"	3:1
27"	1930	3 1/4"	10 1/2"	4'-0"	2'-1 1/2"	6'-1 1/2"	4'-6"	3 1/4"	14 1/2"	3:1
30"	2190	3 1/2"	1'-0"	4'-6"	1'-7 3/4"	6'-1 3/4"	5'-0"	3 1/2"	15"	3:1
33"	3200	3 3/4"	1-1 1/2"	4'-10 1/2"	3'-3 1/4"	8'-1 3/4"	5'-6"	3 3/4"	17 1/2"	3:1
36"	4100	4"	1'-3"	5'-3"	2'-10 3/4"	8'-1 3/4"	6'-0"	4"	20"	3:1
42"	5380	4 1/2"	1'-9"	5'-3"	2'-11"	8'-2"	6'-6"	4 1/2"	22"	3:1
48"	6550	5"	2'-0"	6'-0"	2'-2"	8'-2"	7'-0"	5"	22"	3:1
54"	8240	5 1/2"	2'-3"	5'-5"	2'-11"	8'-4"	7'-6"	5 1/2"	24"	2.4:1
60"	8730	6"	2'-11"	5'-0"	3'-3"	8'-3"	8'-0"	5"	*	2:1
66"	10710	6 1/2"	2'-6"	6'-0"	2'-3"	8'-3"	8'-6"	5 1/2"	*	2:1
72"	12520	7"	3'-0"	6'-6"	1'-9"	8'-3"	9'-0"	6"	*	1.86:1
78"	14770	7 1/2"	3'-0"	7'-6"	1'-9"	9'-3"	9'-6"	6 1/2"	*	1.82:1
84"	18160	8"	3'-0"	7'-6 1/2"	1'-9"	9'-3 1/2"	10'-0"	6 1/2"	*	1.5:1

* RADIUS AS FURNISHED BY MANUFACTURER.

- NOTES**
- PRECAST CONCRETE FLARED END SECTIONS SHALL CONFORM TO THE APPLICABLE REQUIREMENTS OF AASHTO M-170 CLASS III, WALL B REINFORCED CONCRETE PIPE.
 - PRECAST CONCRETE FLARED END SECTION FOR PIPE DIAMETER REQUIRED SHALL BE AS INDICATED ON DETAIL PLAN FOR EACH INDIVIDUAL INSTALLATION.
 - THE END BLOCK SHALL BE PLACED PRIOR TO THE INSTALLATION OF THE FLARED END SECTION. THE END BLOCK SHALL BE BACKFILLED IN ACCORDANCE WITH ITEM 701.



PRECAST REINFORCED CONCRETE FLARED END SECTION
 (I.D.O.T. STD. NO. 542301)
 N.T.S.

**CENTRALIA MUNICIPAL AIRPORT
 CENTRALIA, ILLINOIS**
**REHABILITATE SOUTHWEST PORTION OF GA APRON
 DRAINAGE DETAILS**

CMT
 CRAWFORD, MURPHY & TILLY, INC.
 CONSULTING ENGINEERS
 Copyright CMT, Inc.

DESIGN BY: JEF
 DRAWN BY: CMT
 CHECKED BY: JEF
 APPROVED BY: JEF
 DATE: 04/21/2006
 JOB No: 05072-05
 IL. PROJ. NO. ENL-3556
 AIP PROJ. NO. 3-17-0015-B9
 SHEET 10 OF 16 SHEET