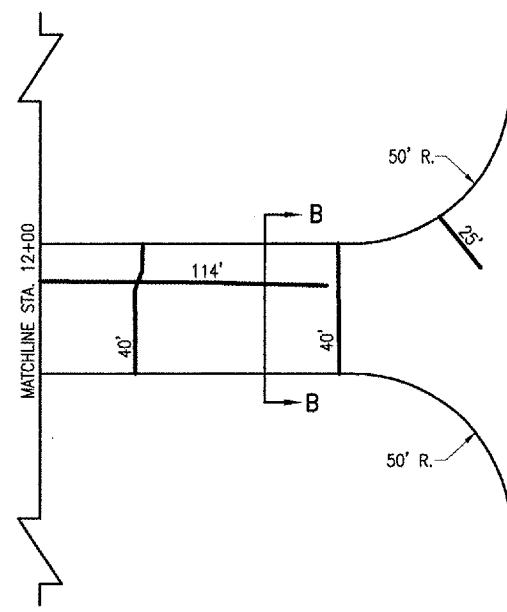
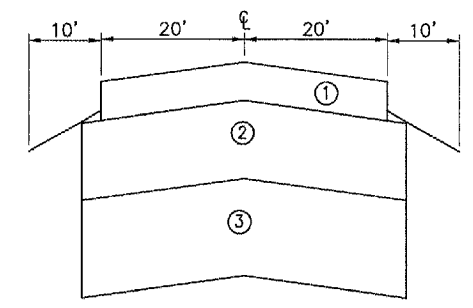


KE007



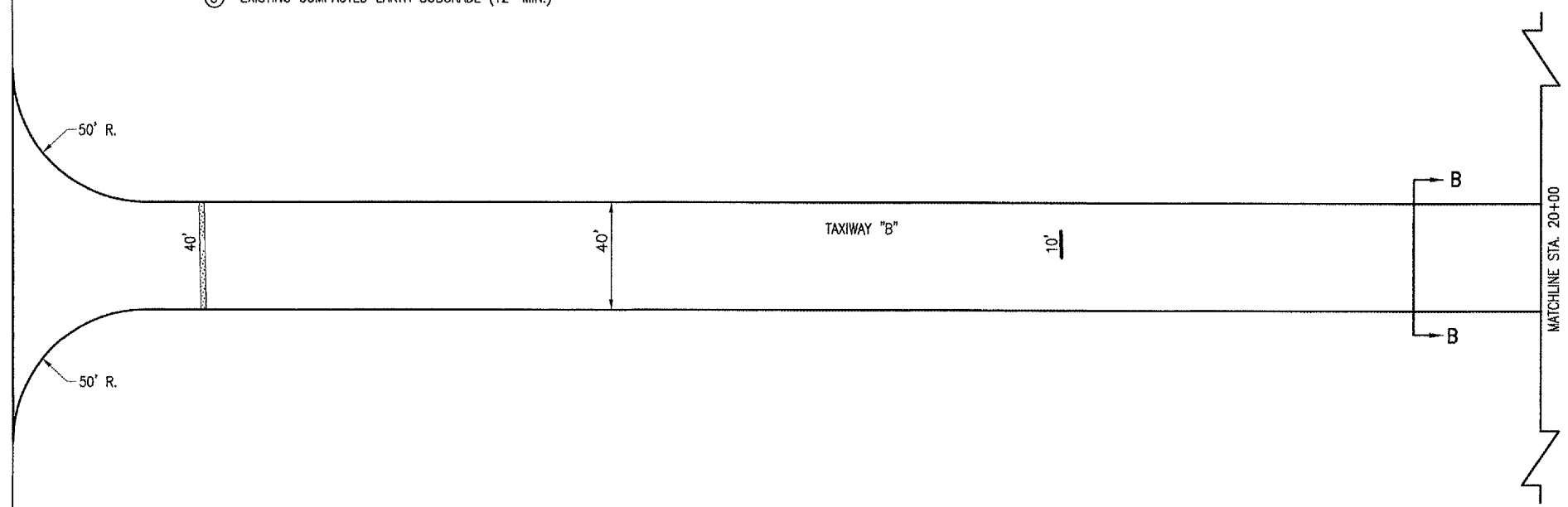
RUNWAY 9-27



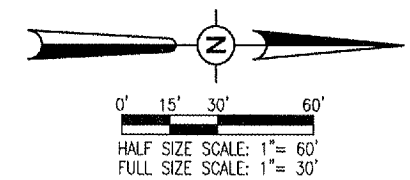
TYPICAL SECTION "B-B"
NOT TO SCALE

LEGEND FOR TYPICAL SECTION "B-B"

- ① EXISTING BITUMINOUS SURFACE CSE. (2" DEPTH)
- ② EXISTING BITUMINOUS BASE CSE. (6" DEPTH)
- ③ EXISTING COMPACTED EARTH SUBGRADE (12" MIN.)



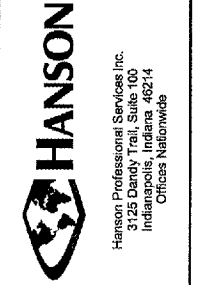
- LEGEND**
- EXISTING PAVEMENT
 - PROPOSED OVERLAY LIMITS
 - EXISTING CRACKS (TO BE REPAIRED)
 - PROPOSED REMOVE AND REPLACE BITUMINOUS PAVEMENT



| DATE | REVISION | BY |
|------|----------|----|
| | | |
| | | |
| | | |
| | | |
| | | |
| | | |
| | | |
| | | |

Kewanee Municipal Airport
Kewanee, Henry County, Illinois
A.I.P. PROJ.: 3-17-0058-B10
IL PROJ.: E2I-3533

| REL Project No. | 810-081XYD 0800 |
|-----------------|-----------------|
| Drawn | R-111PRP.DWG |
| Scale | 1"=30' |
| Date | 08/25/05 |
| LAYOUT | R.A.W. 08/25/05 |
| DRAWN | B.A.K. 08/25/05 |
| REVIEWED | C.A.H. 04/27/06 |



OVERLAY TAXIWAYS AND APRON
PROPOSED PAVEMENT PREPARATION PLAN
STA. 12+00 TO STA. 20+00