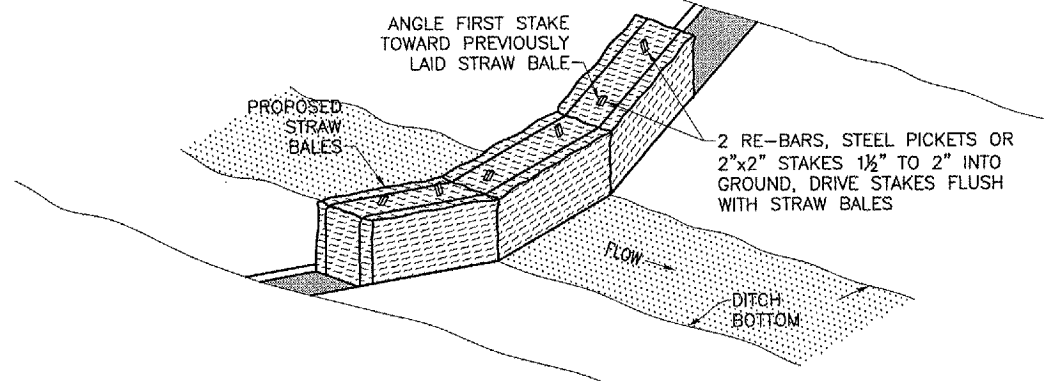


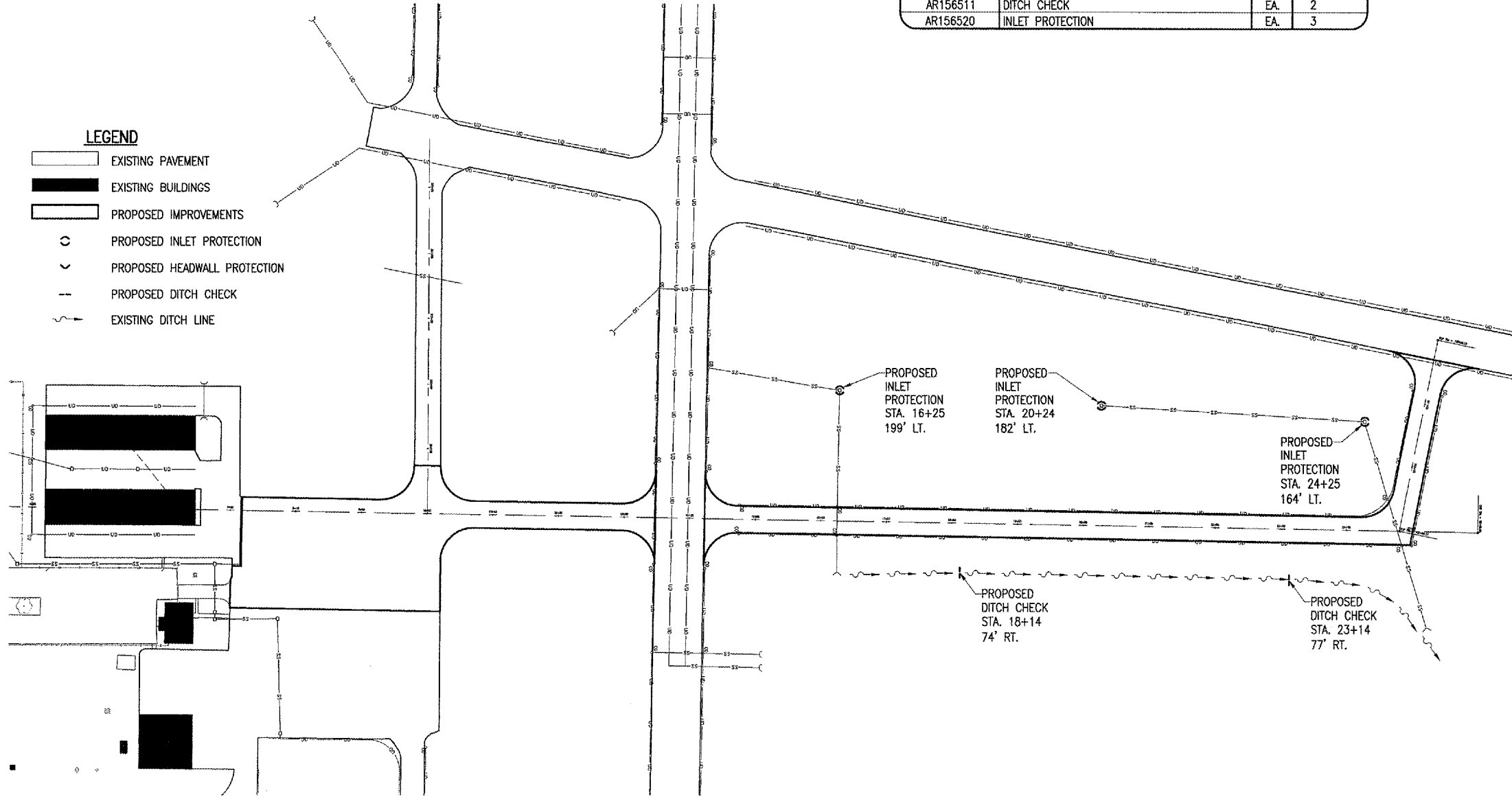
INLET PROTECTION DETAIL
"NOT TO SCALE"



DITCH CHECK DETAIL
"NOT TO SCALE"

EROSION CONTROL QUANTITIES			
ITEM NO.	DESCRIPTION	UNIT	QUANTITY
AR156511	DITCH CHECK	EA.	2
AR156520	INLET PROTECTION	EA.	3

- LEGEND**
- EXISTING PAVEMENT
 - EXISTING BUILDINGS
 - PROPOSED IMPROVEMENTS
 - PROPOSED INLET PROTECTION
 - PROPOSED HEADWALL PROTECTION
 - PROPOSED DITCH CHECK
 - EXISTING DITCH LINE



EROSION CONTROL NOTES

ALL EROSION CONTROL MEASURES WILL BE PLACED PRIOR TO ANY DISRUPTION OF THE EXISTING SOD AREAS OR THE PLACEMENT OF TOPSOIL FROM OFF SITE.

ALL PROPOSED EROSION CONTROL MEASURES SHALL BE COMPLETED AS DETAILED ON THIS EROSION CONTROL PLAN AND IN ACCORDANCE WITH THE SPECIFICATIONS.

EROSION CONTROL MEASURES ARE GOVERNED BY THE ILLINOIS ENVIRONMENTAL PROTECTION AGENCY'S STANDARDS AND SPECIFICATIONS FOR SOIL EROSIONS AND SPECIFICATION FOR SOIL EROSIONS AND SEDIMENT CONTROL.

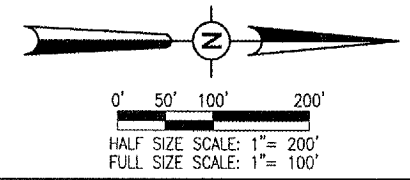
SILT FENCE WILL BE USED FOR INLET PROTECTION AS SHOWN ON THIS SHEET.

THE PROPOSED INLET PROTECTION WILL BE PLACED AT THE LOCATIONS SHOWN ON THIS SHEET.

INSPECTION OF THE INLET PROTECTION SHALL BE FREQUENT AND REPAIR/REPLACEMENT SHALL BE MADE PROMPTLY AS NEEDED. ANY REPAIR/REPLACEMENT MADE WILL BE CONSIDERED INCIDENTAL AND NO ADDITIONAL COMPENSATION WILL BE ALLOWED.

INLET PROTECTION IS TO INCLUDE ALL INCIDENTALS NECESSARY TO CONSTRUCT THESE ITEMS AND WILL BE PAID FOR UNDER ITEM: AR156520 INLET PROTECTION 3 EACH.

THE PROPOSED DITCH CHECKS WILL BE CONSTRUCTED AS SHOWN ON THIS SHEET AND SHALL CONSIST OF A MINIMUM OF 3 BALES PER LOCATION. THE DITCH CHECKS WILL INCLUDE ALL INCIDENTALS NECESSARY TO COMPLETE THE ITEM AND WILL BE PAID FOR UNDER ITEM: AR156511 DITCH CHECK 2 EACH.



REVISION	DATE

BY

DATE

Kewanee Municipal Airport
Kewanee, Henry County, Illinois

IL PROJ.: E21-3533 A.I.P. PROJ.: 3-17-0058-810

Project No.	810-06TXD_0800	Date	09/08/05
Revision	R-181.SWP.DWG	Scale	1" = 100'
LAYOUT	R.A.W.	DATE	09/08/05
DRAWN	B.A.K.	DATE	09/08/05
REVIEWED	C.A.H.	DATE	04/27/06

Hanson Professional Services Inc.
3125 Dandy Trail, Suite 100
Indianapolis, Indiana 46214
Offices Nationwide

OVERLAY TAXIWAYS AND APRON

PROPOSED STORMWATER POLLUTION PREVENTION PLAN